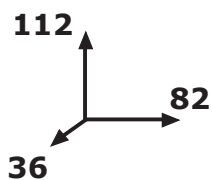
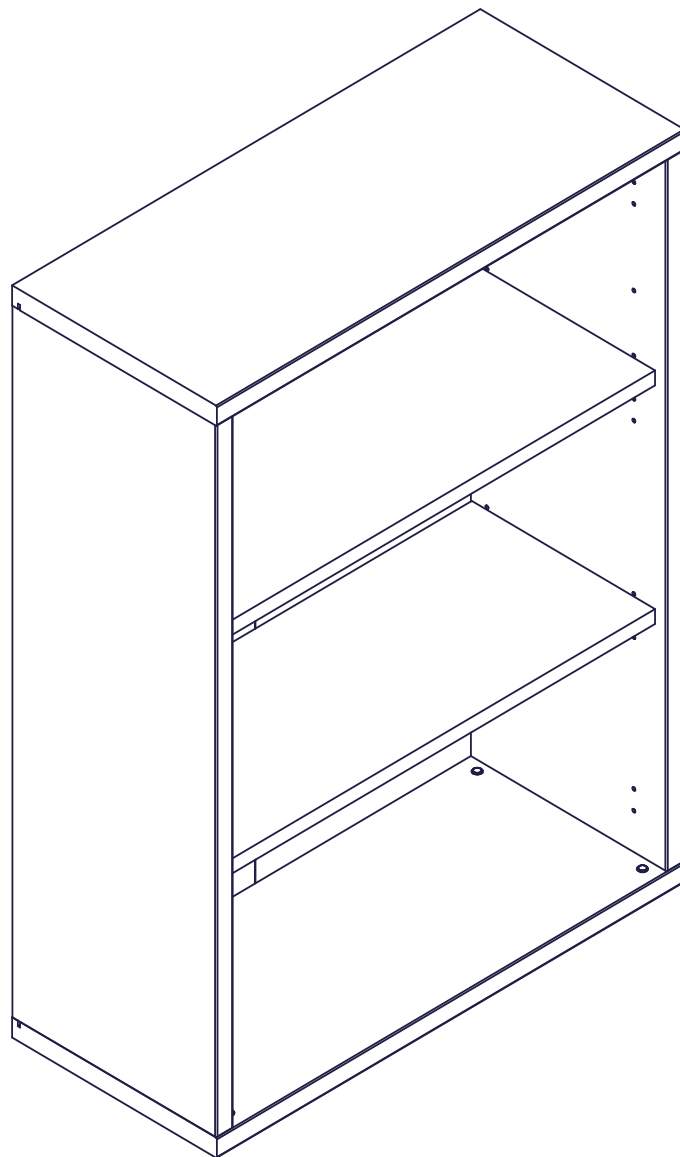
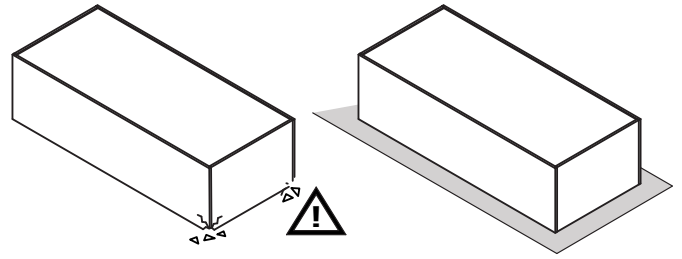
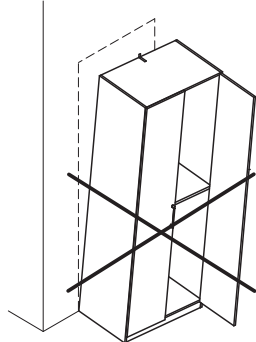
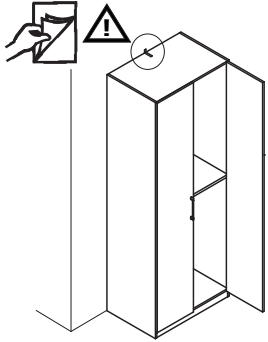
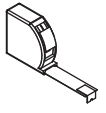
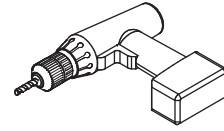
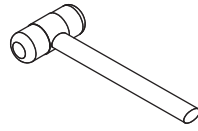
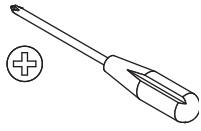
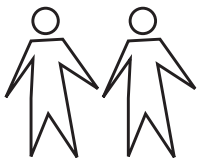


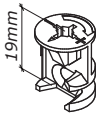
LB4800K51104



QF3542



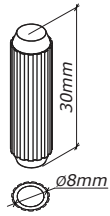
BU2925



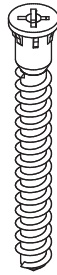
T97
x4



T28
x4



H1
x8



V57
x4



R40
x8



H2
x10



V5
x10



V81
x2



H129
x2



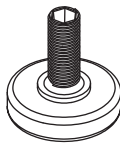
G144
x14



G143
x4



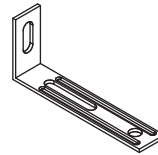
G142
x4



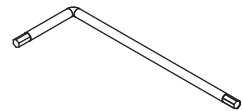
P25
x4



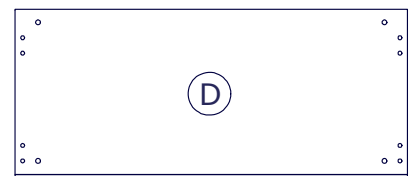
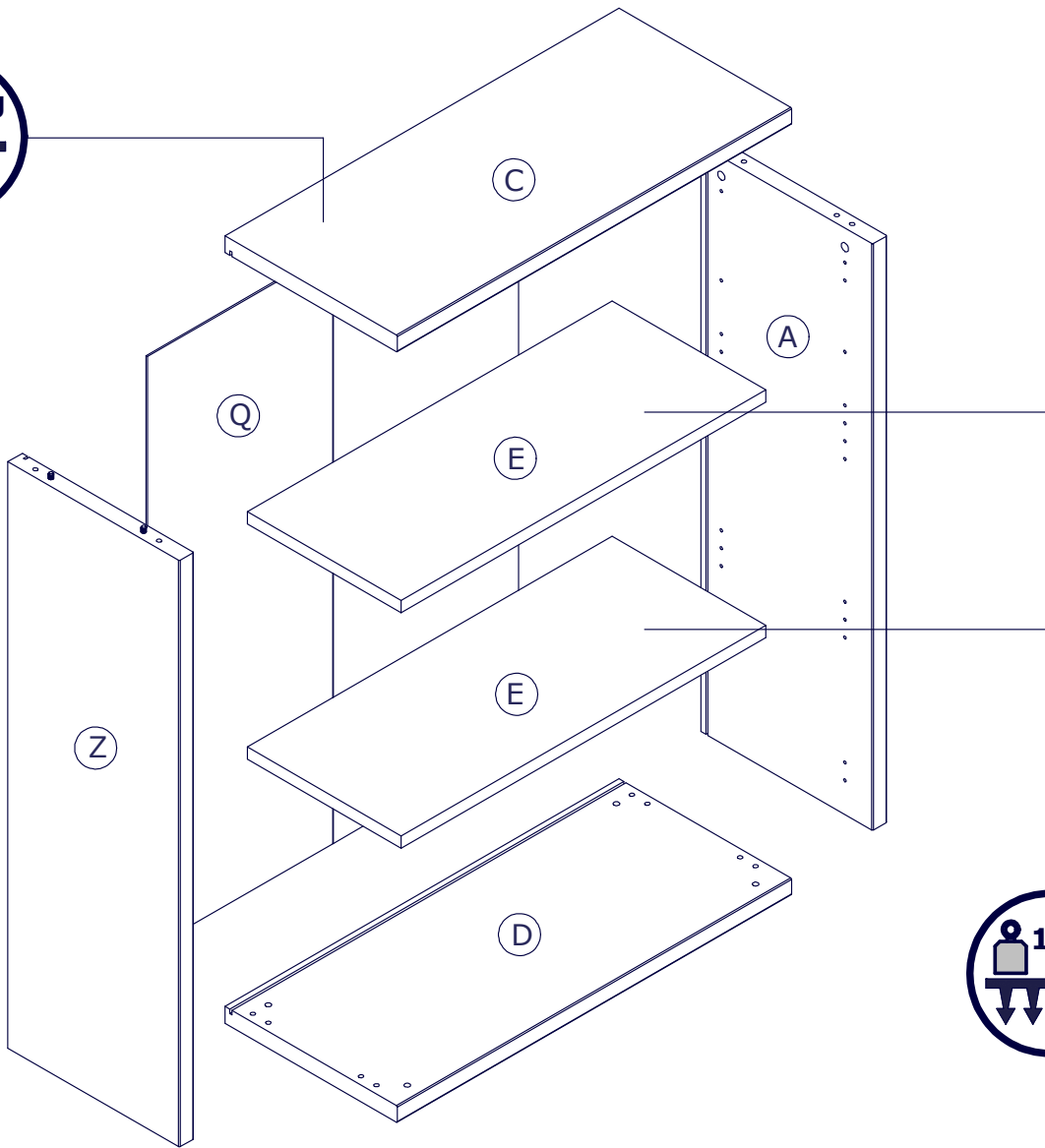
H118
x4



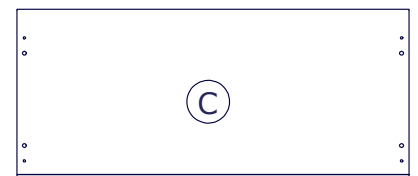
H185
x1



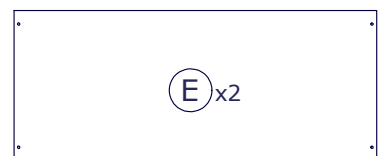
H138
x1



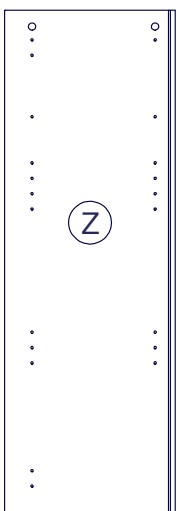
• **BA1705**
816x357x30mm



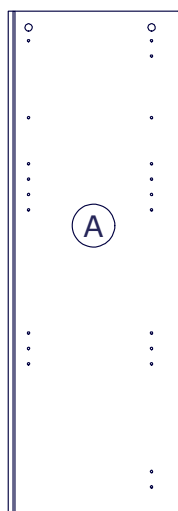
• **CA2781**
816x357x30mm



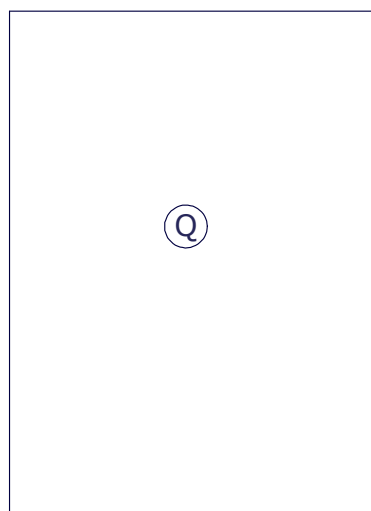
• **PI5994**
755x319x22mm



• **FI5702**
1051x355x30mm

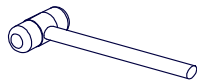


• **FI5701**
1051x355x30mm

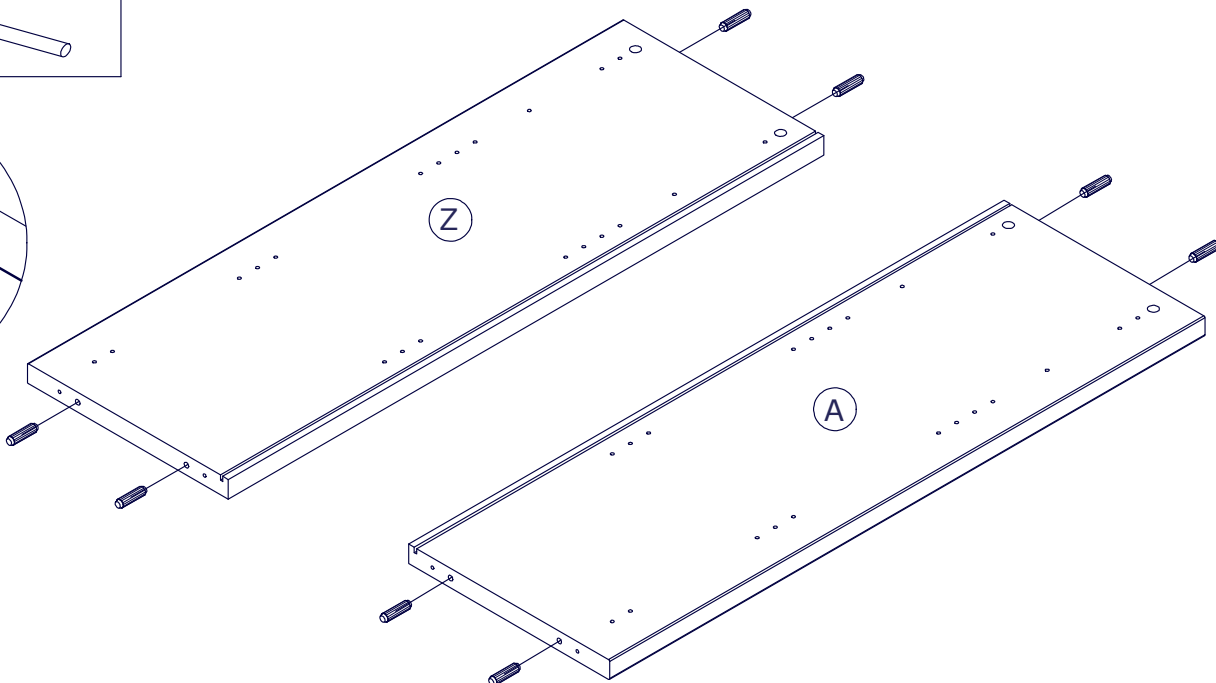
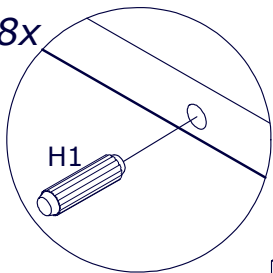


• **SH2537**
1065x768x3mm

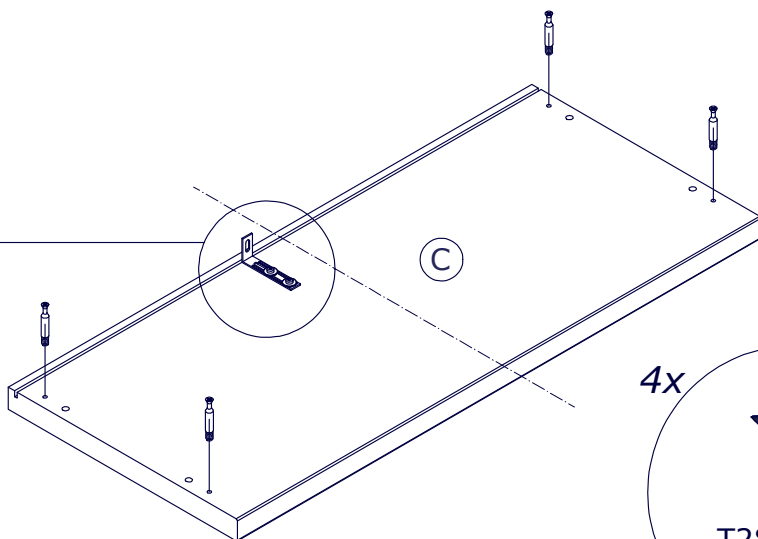
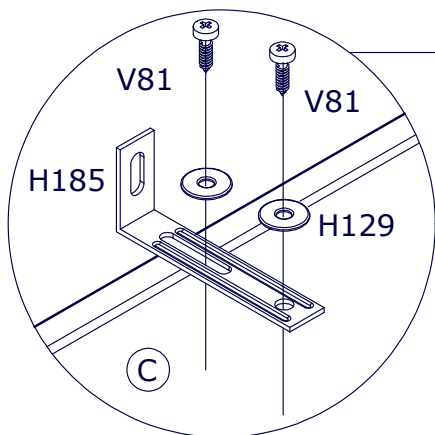
1



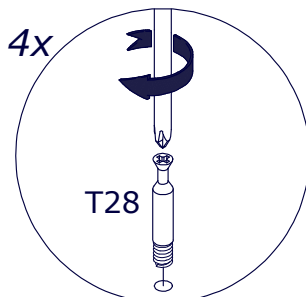
8x



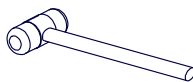
2



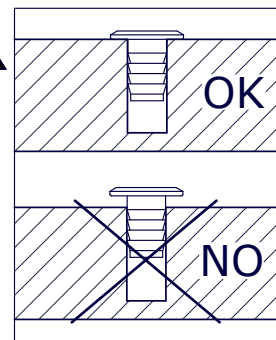
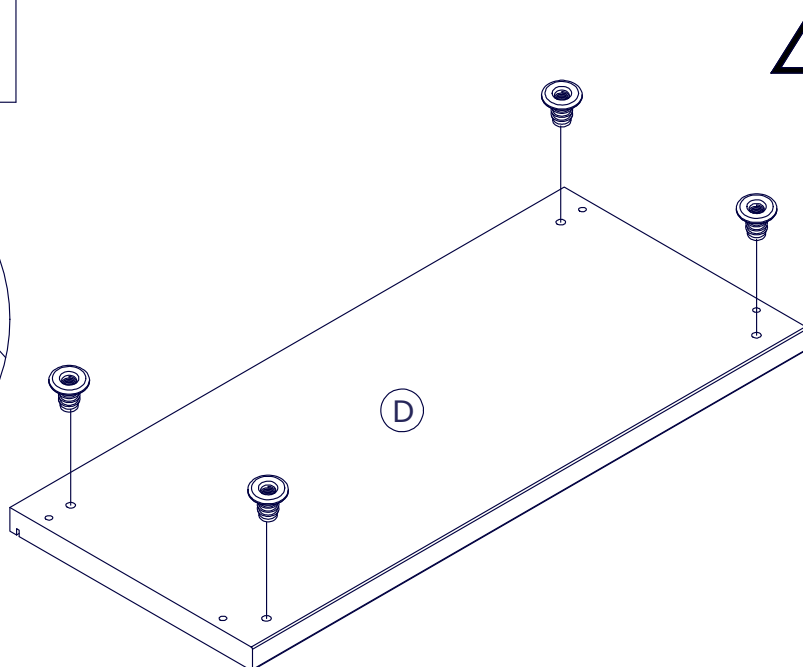
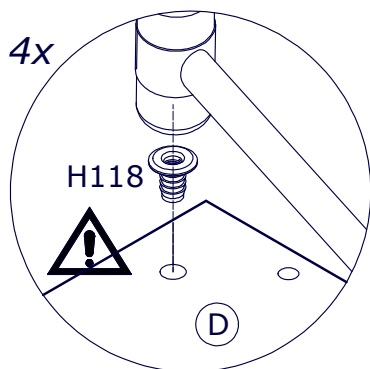
4x



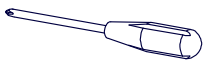
3



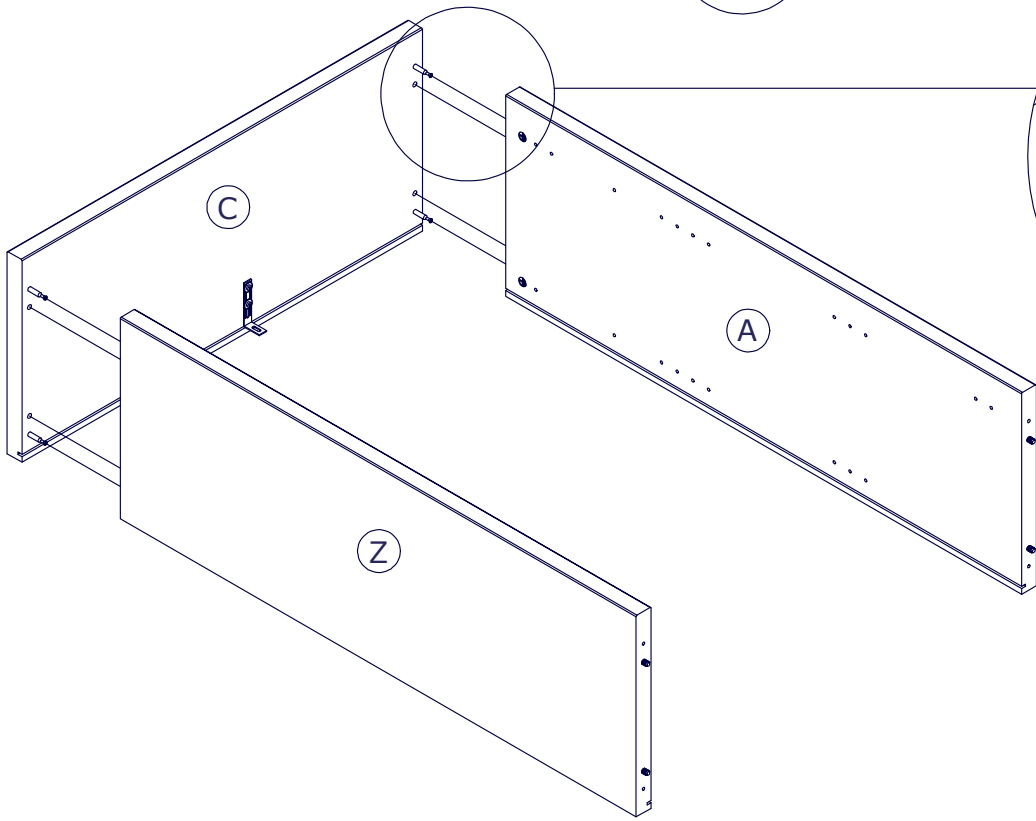
4x



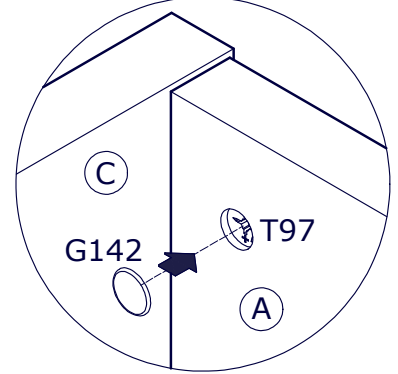
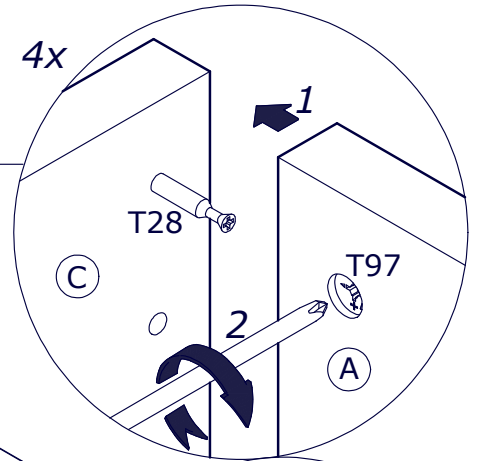
4



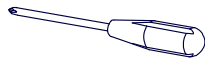
4x G142



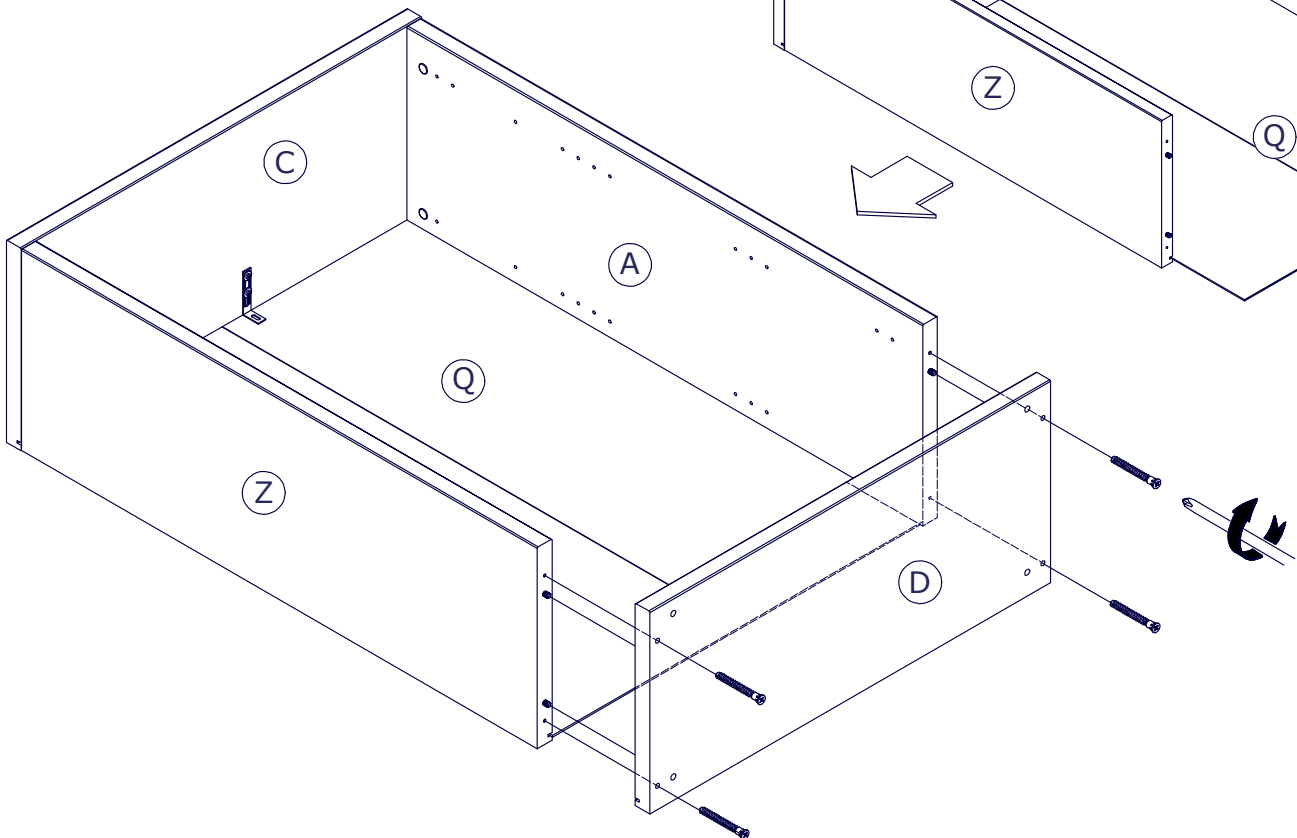
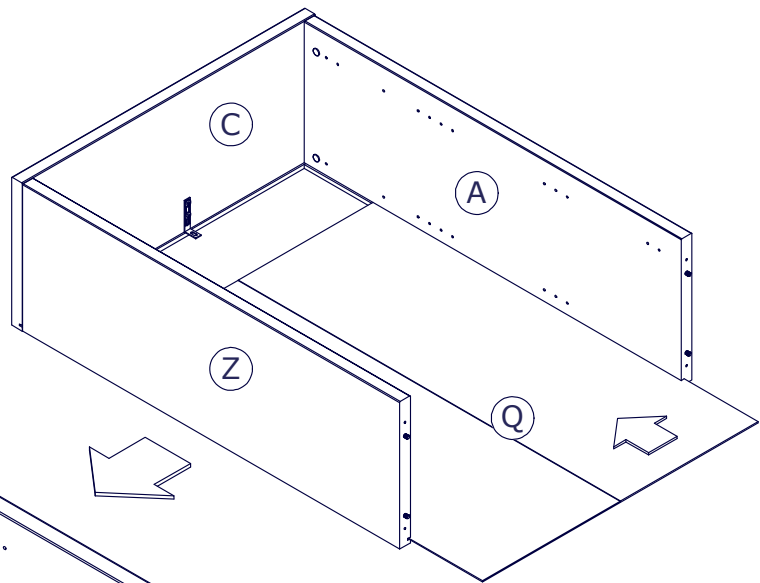
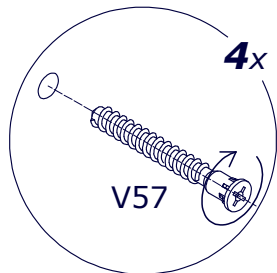
4x



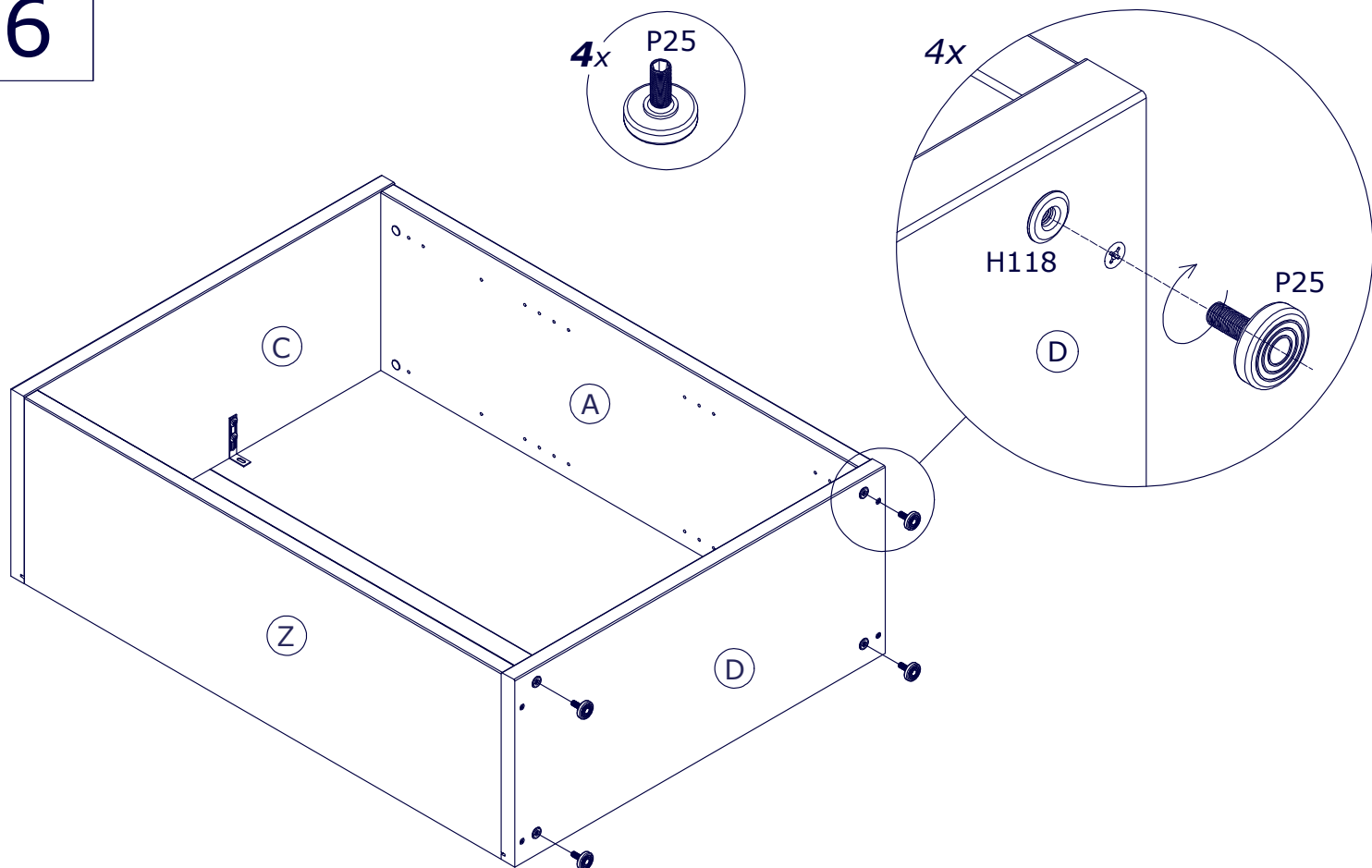
5



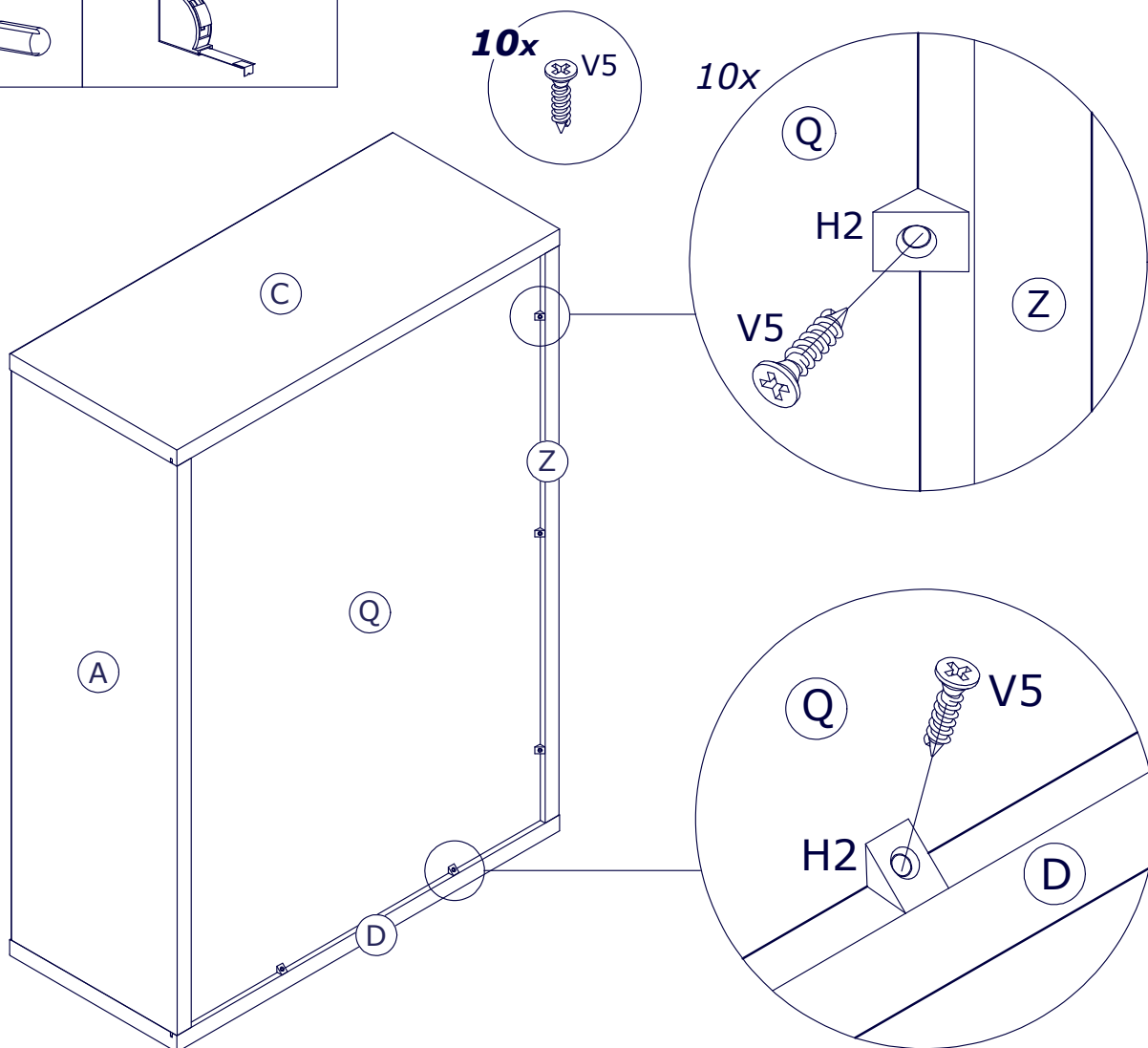
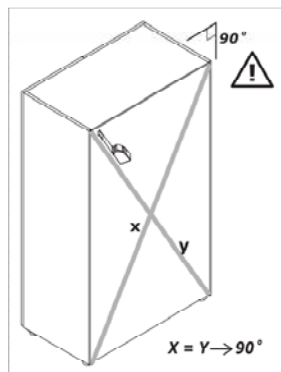
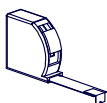
4x



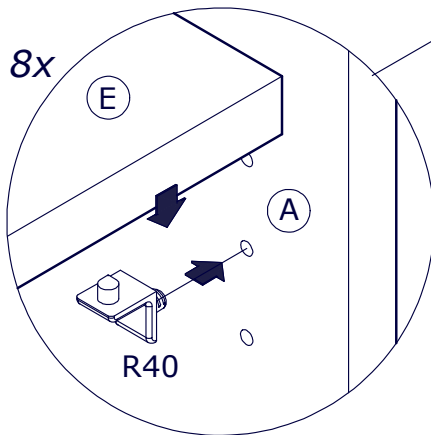
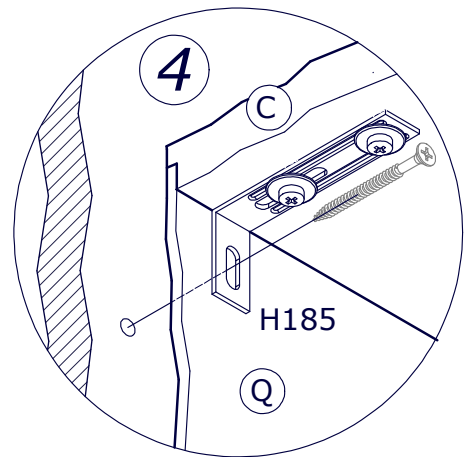
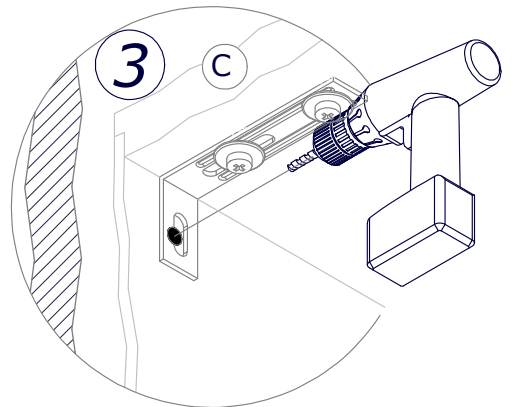
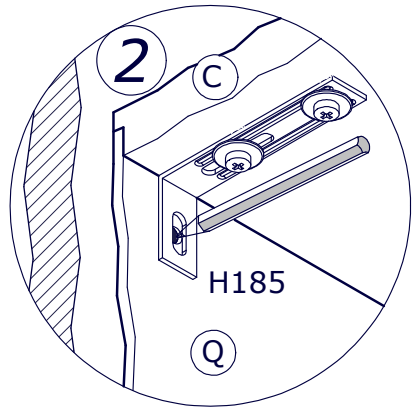
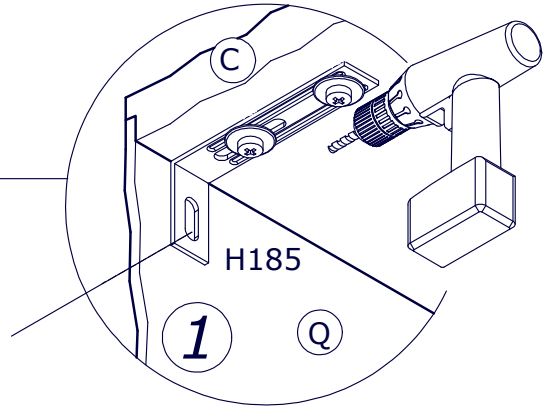
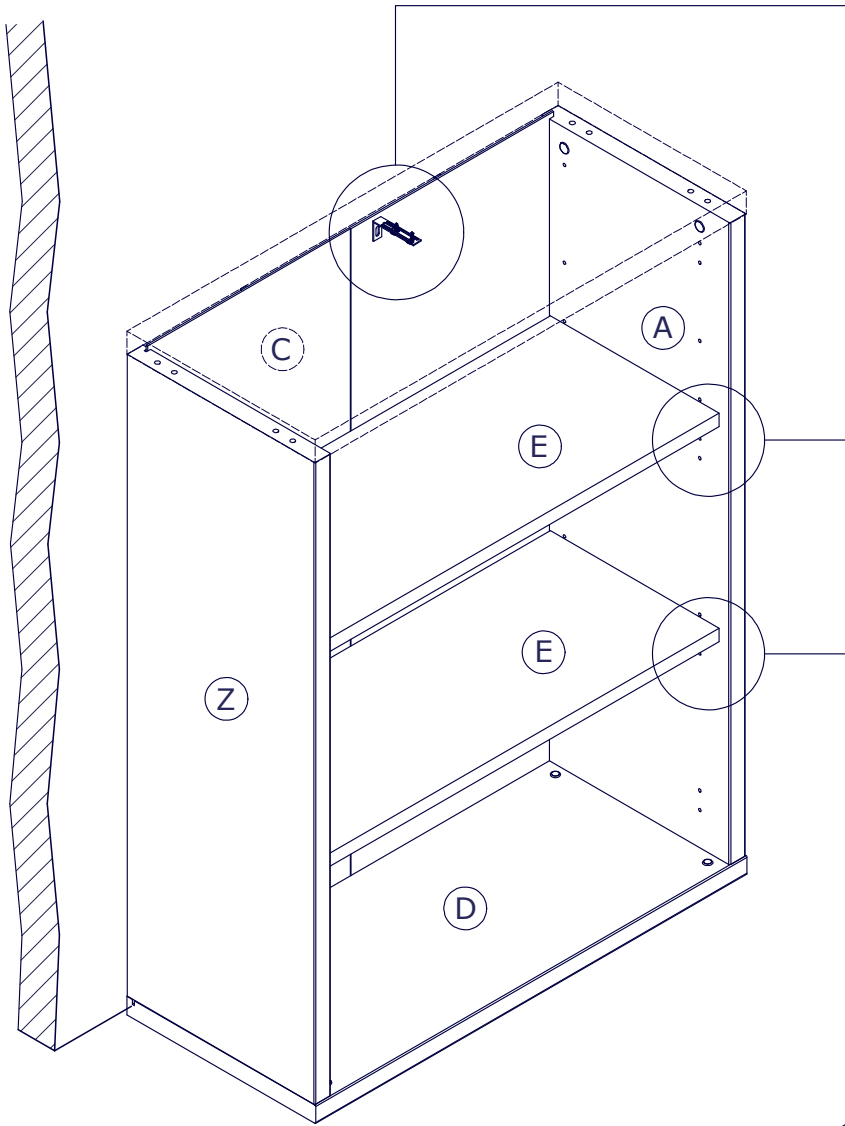
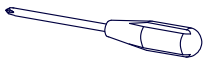
6



7

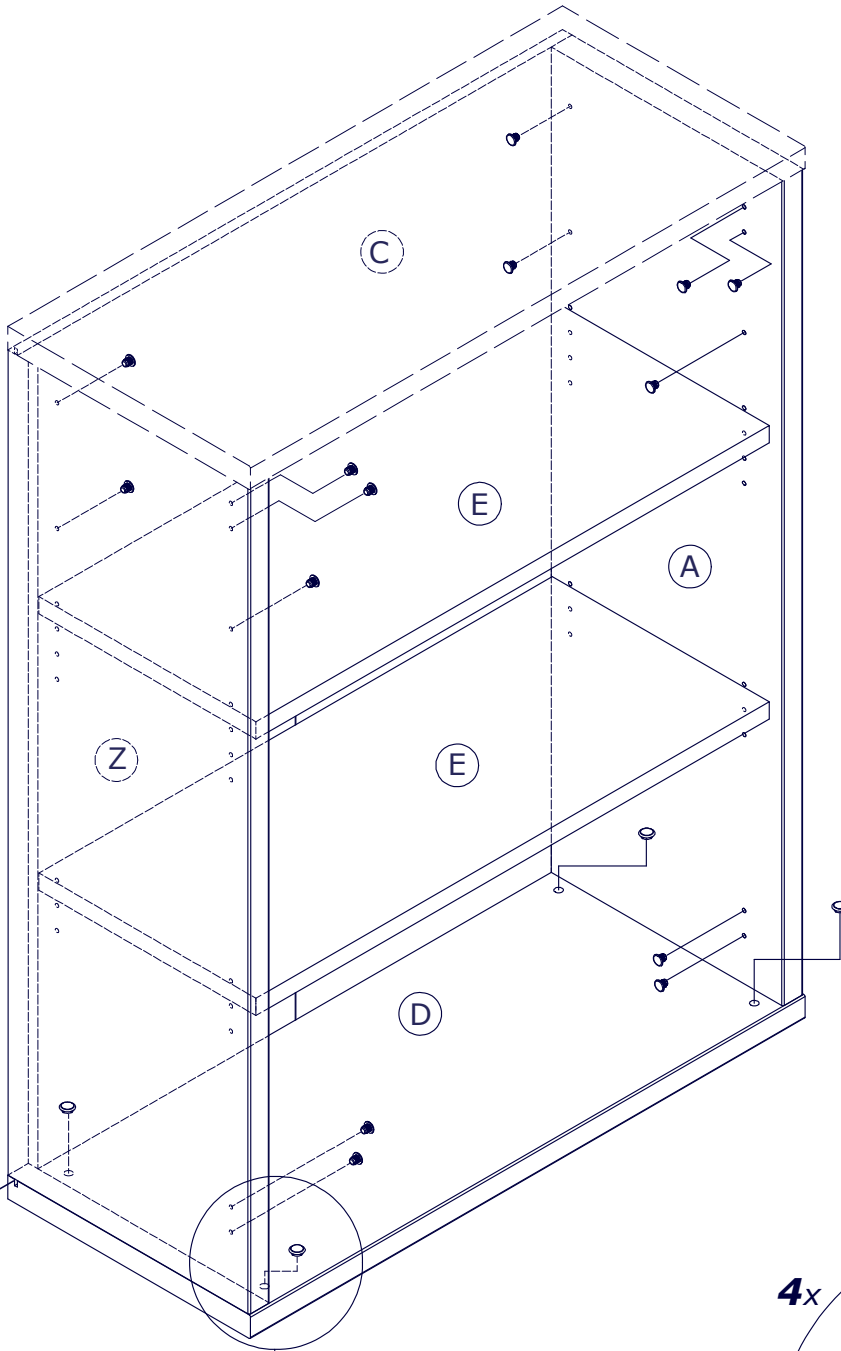
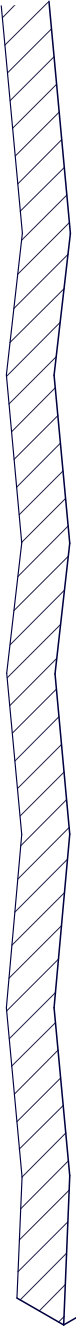


8

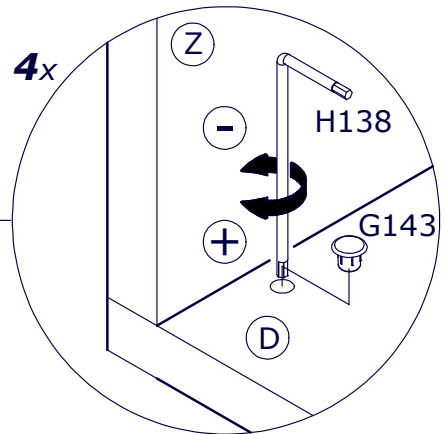


9

14x G144



4x



4x G143

