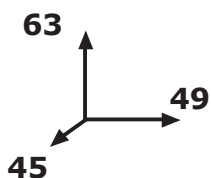
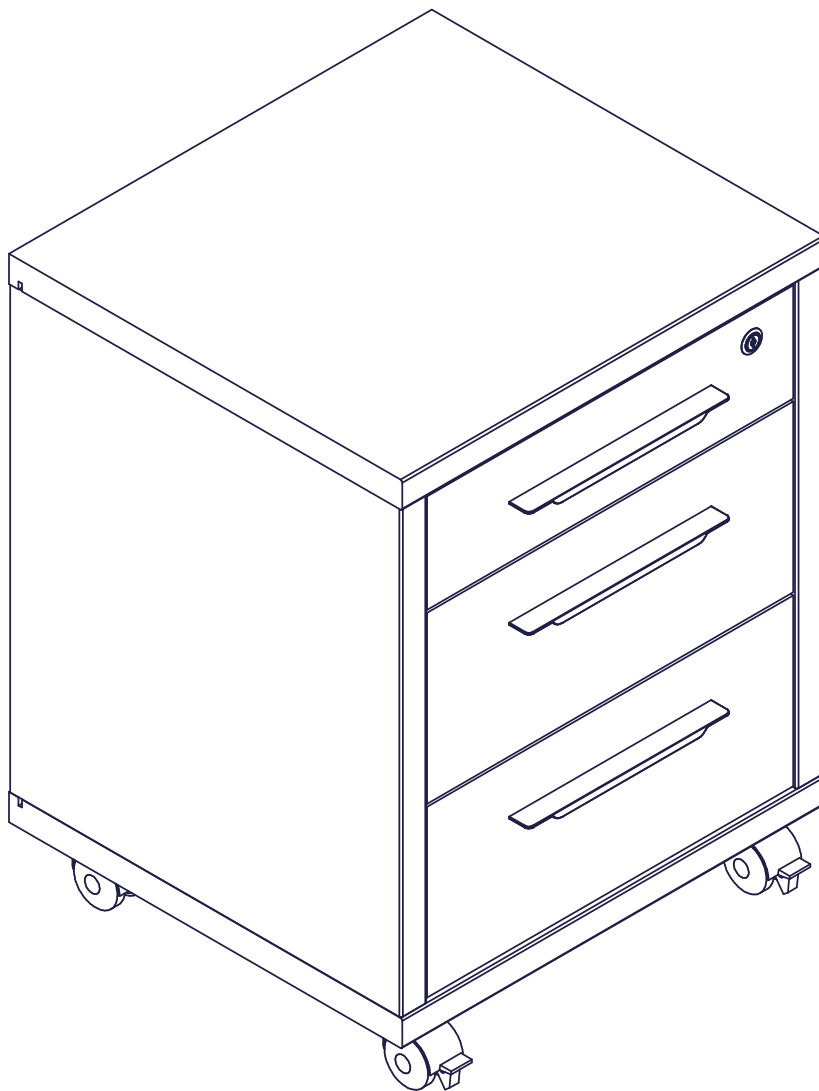
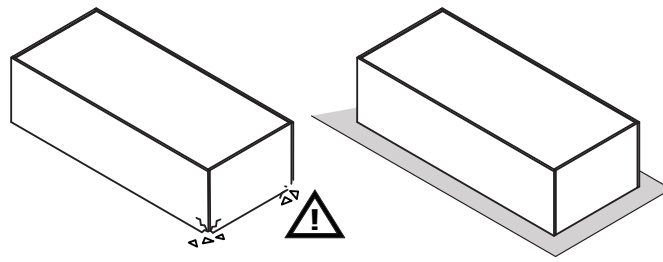
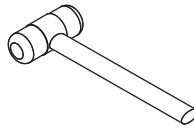
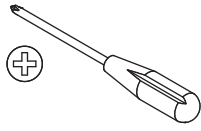


# CT4811K51204

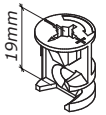


QF3541

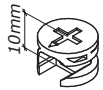


**BU2943**

**BU2924**



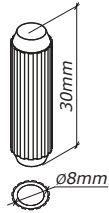
**T97**  
x4



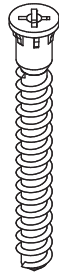
**T98**  
x4



**T28**  
x8



**H1**  
x8



**V57**  
x4



**V5**  
x26



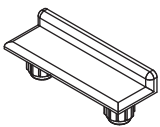
**H2**  
x10



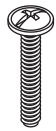
**H166**  
x1



**V13**  
x12



**H114**  
x4



**V137**  
x6



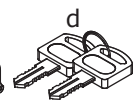
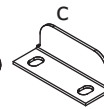
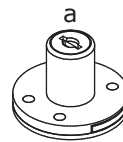
**G128**  
x4



**V109**  
x2

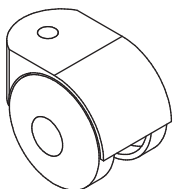


**H173**  
x1

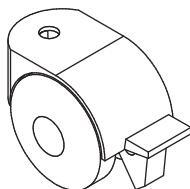


**H171**  
x1

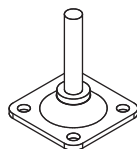
**BU0144**



**H97**  
x2



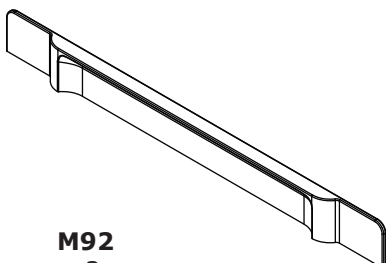
**H96**  
x2



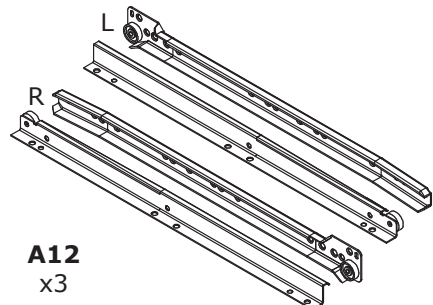
**H47**  
x4



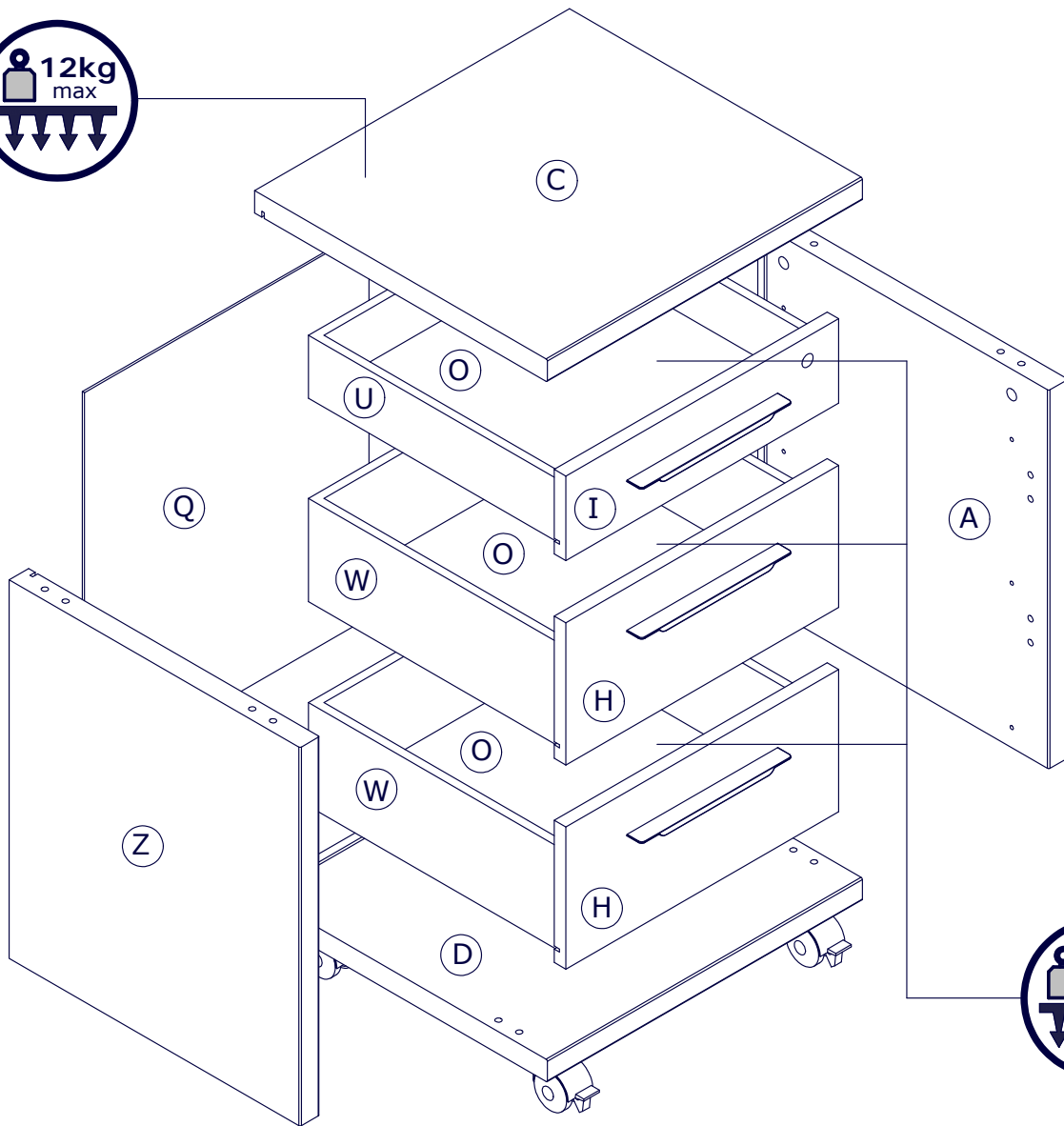
**V5**  
x16



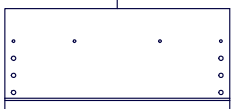
**M92**  
x3



**A12**  
x3



H x2



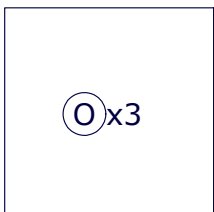
• CS2239  
421x190x18mm

I



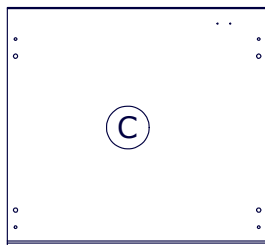
• CS2237  
421x113x18mm

O x3

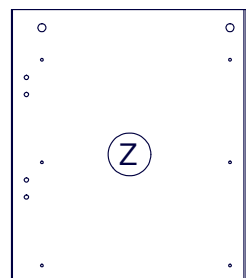


• SH2535  
391x387x3mm

C

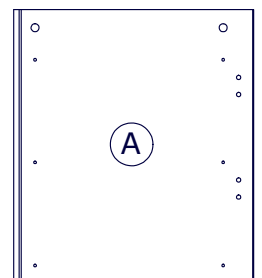


• CA2780  
486x452x30mm



• FI5700  
506x449x30mm

A



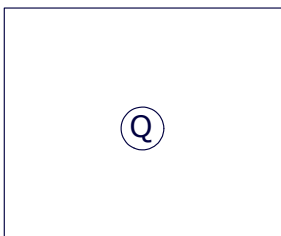
• FI5699  
506x449x30mm

U



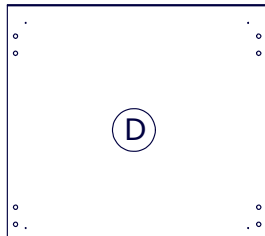
• OF0276  
390x400x390mm H.84mm

Q



• SH2534  
520x439x3mm

D



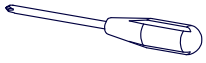
• BA1704  
486x452x30mm

W x2

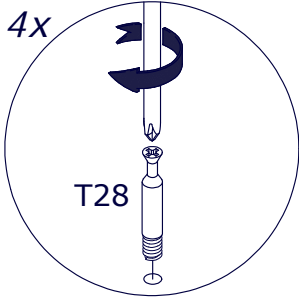


• OF0275  
390x400x390mm H.138mm

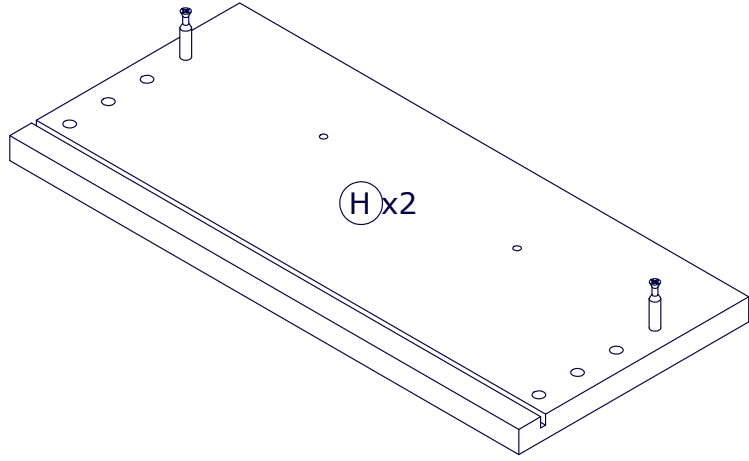
1



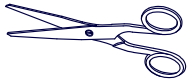
4x



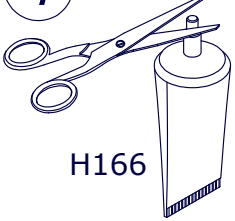
T28



2

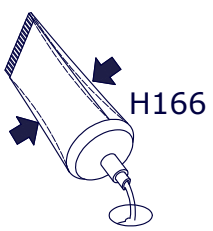


1

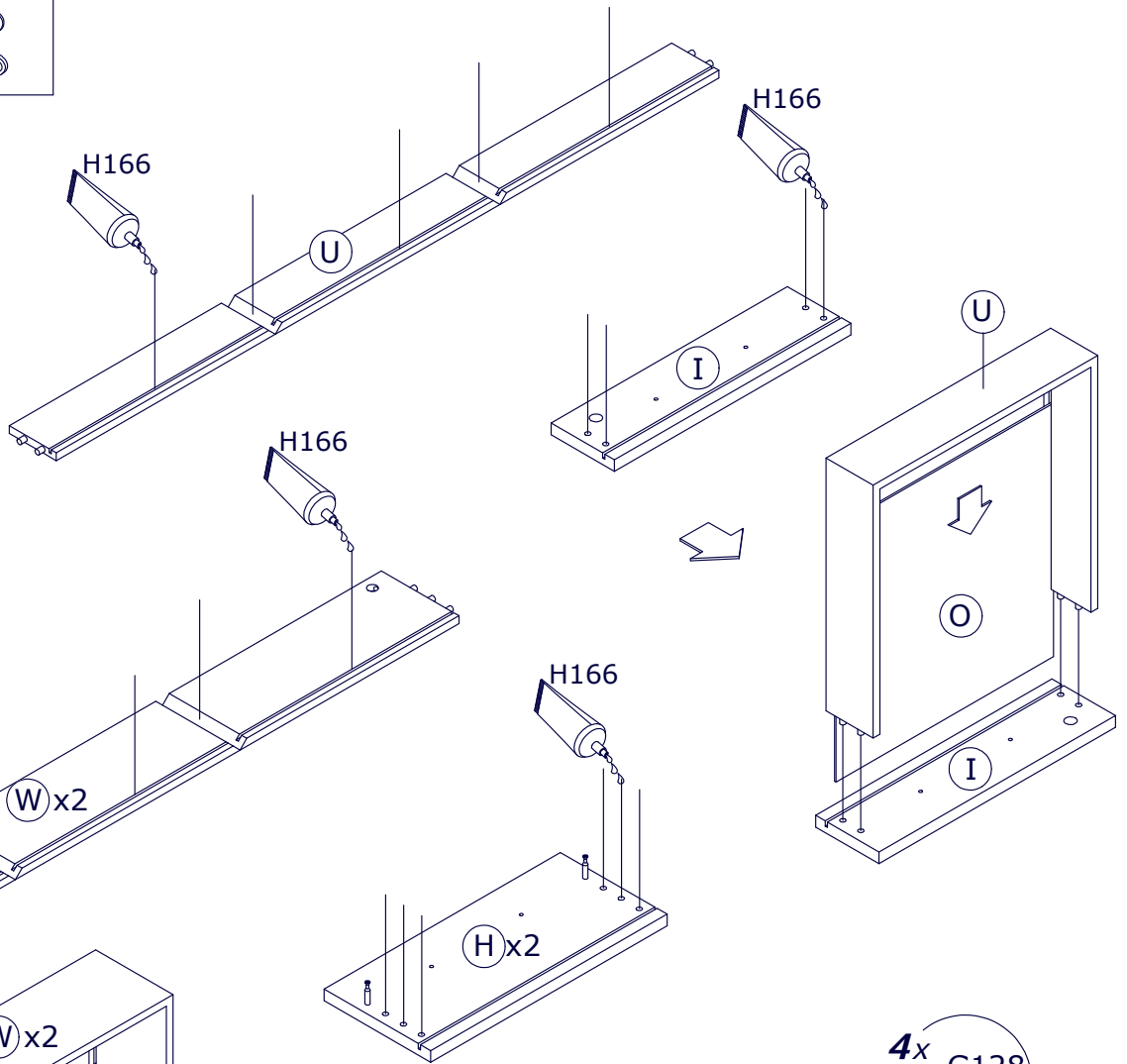


H166

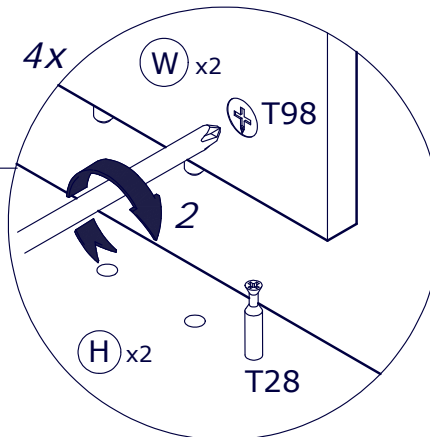
2



H166



4x



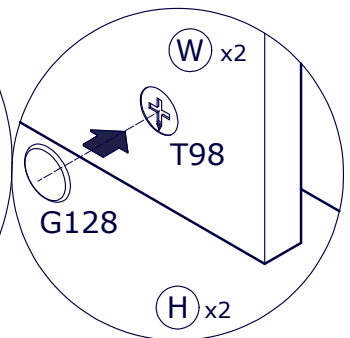
W x 2

T98

2

H x 2

T28



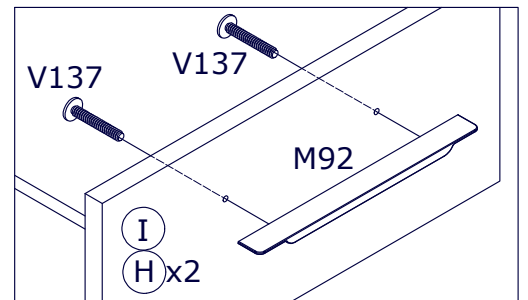
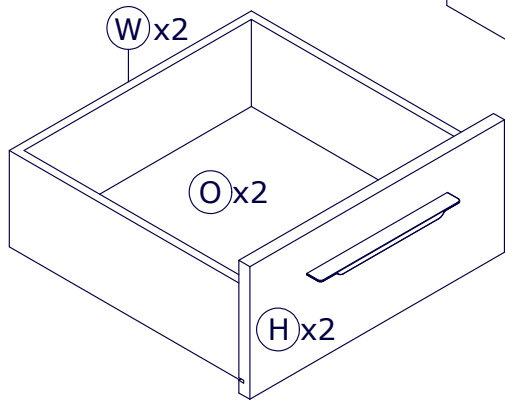
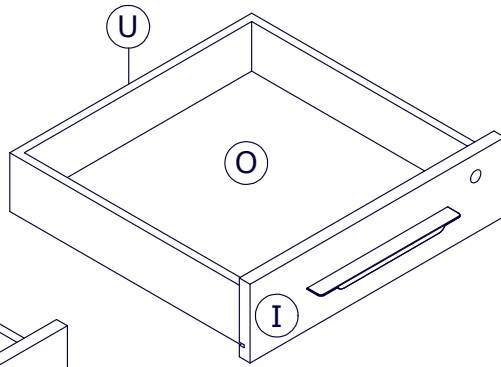
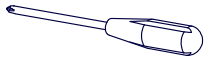
W x 2

T98

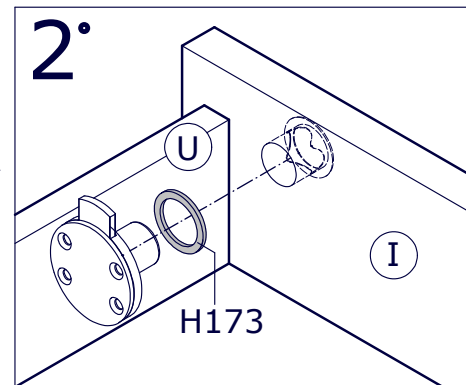
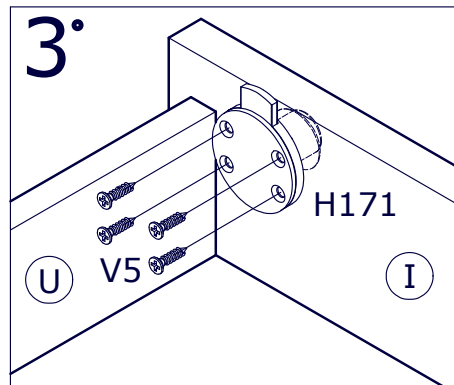
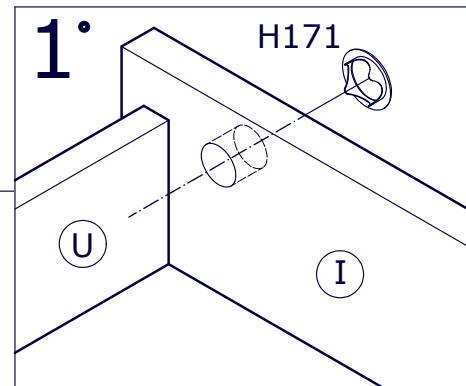
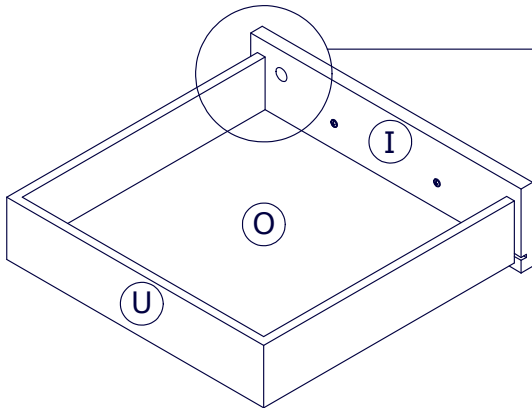
G128

H x 2

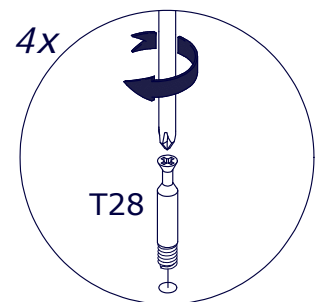
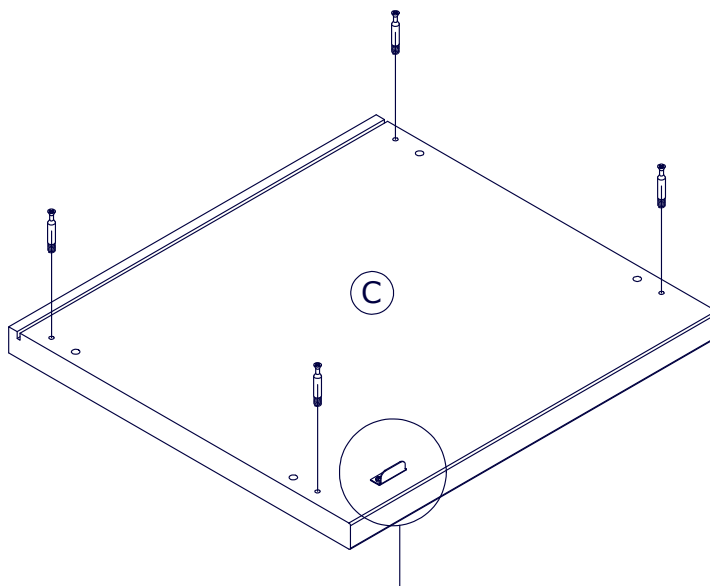
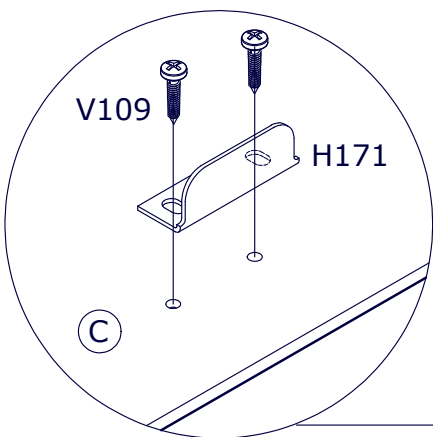
3



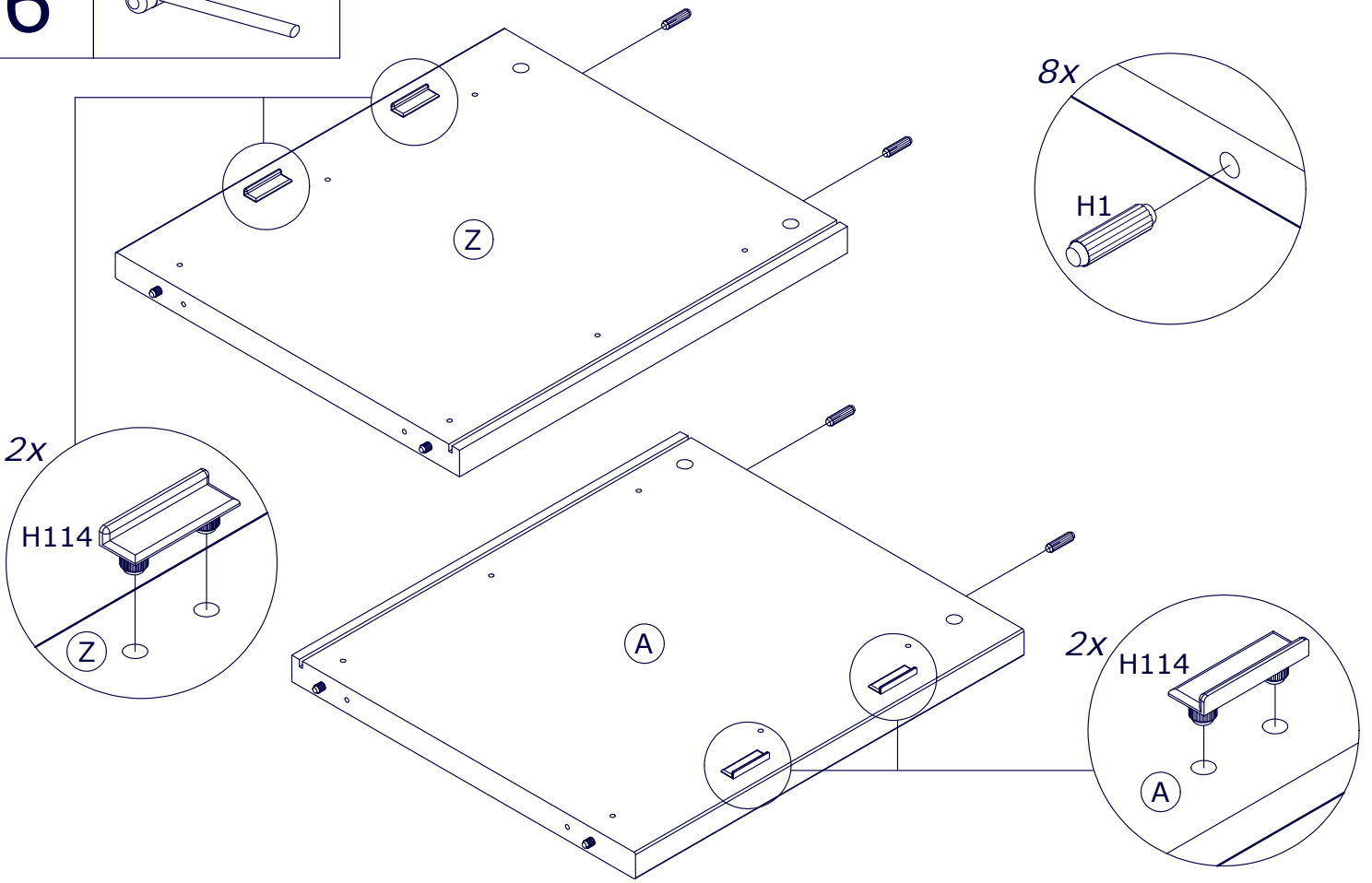
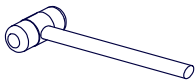
4



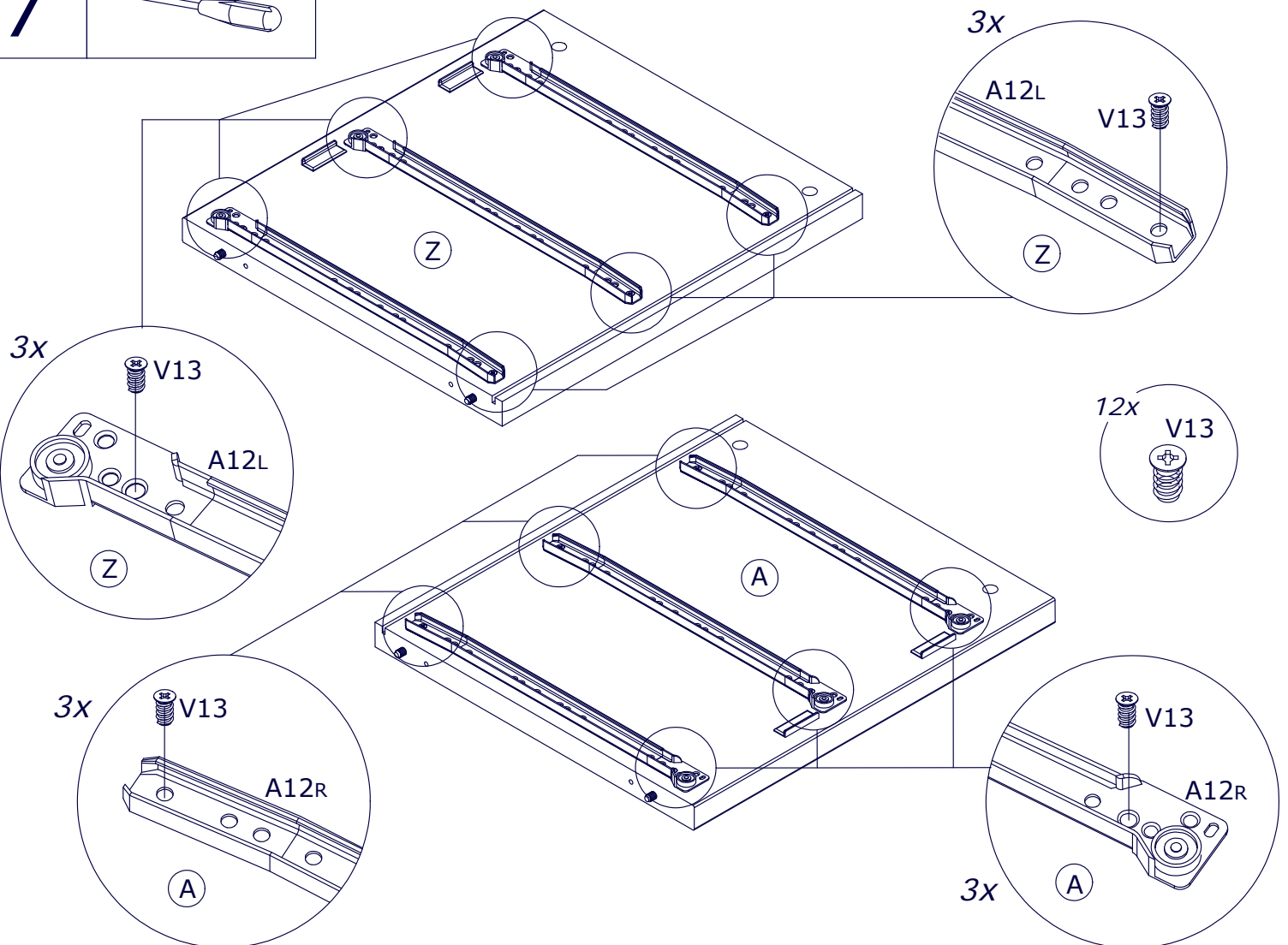
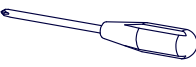
5



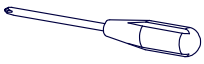
6



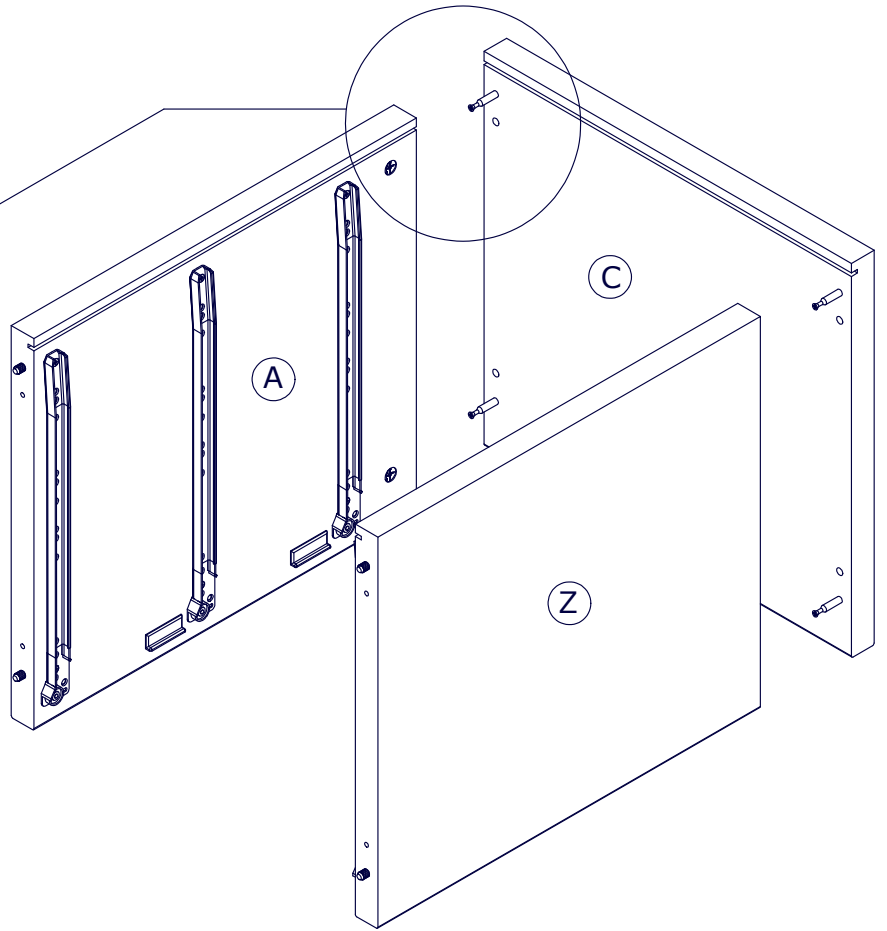
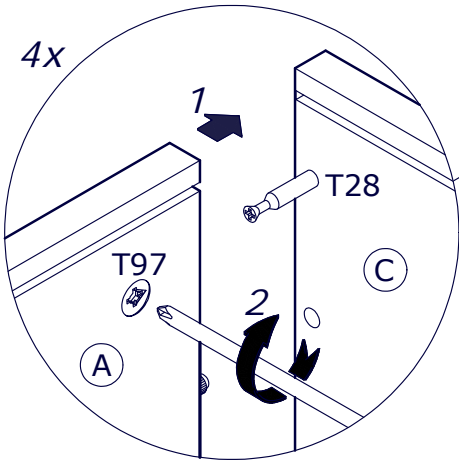
7



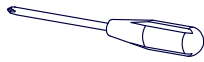
8



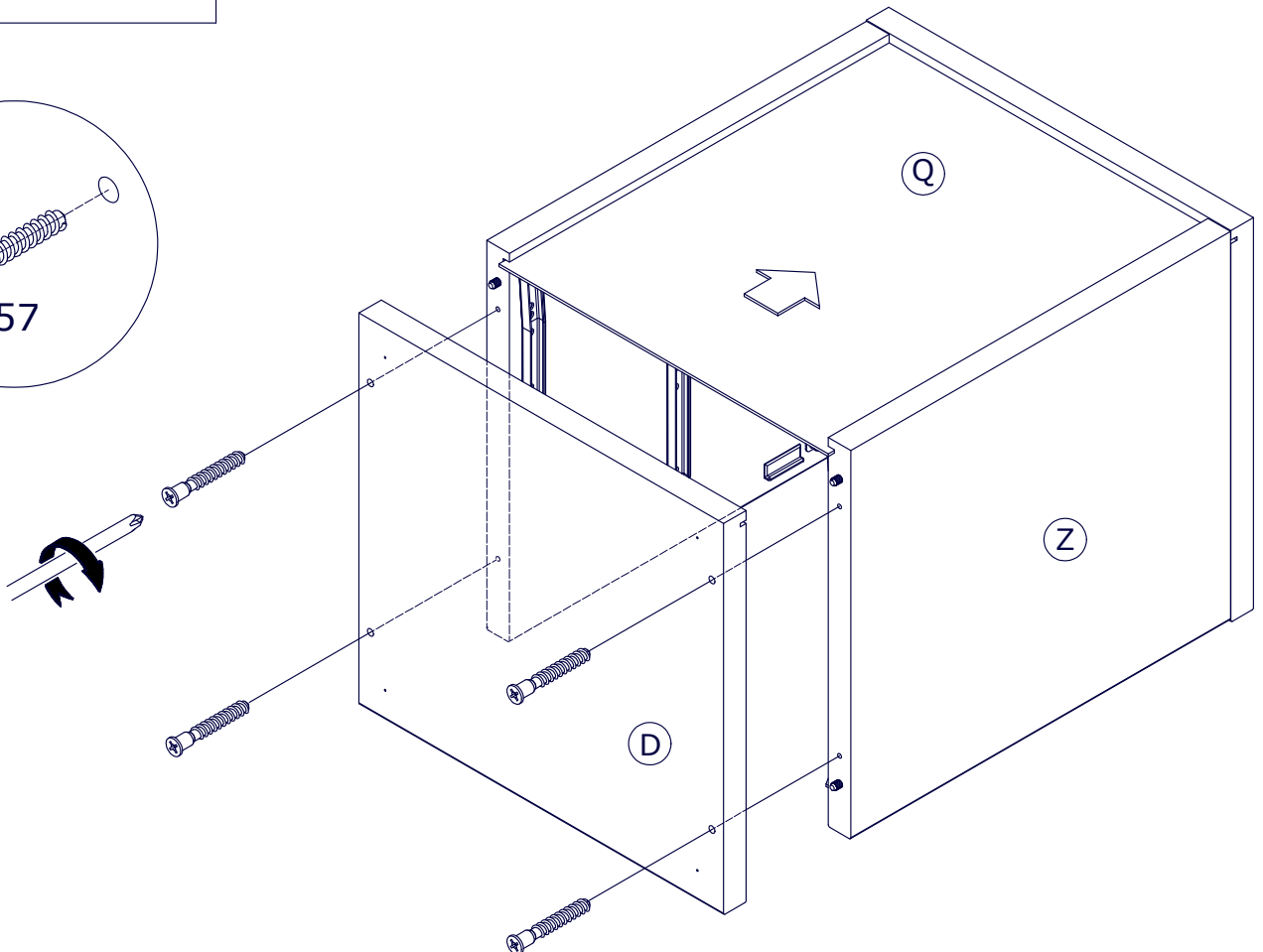
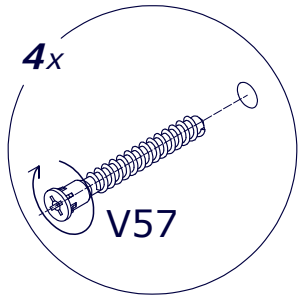
4x



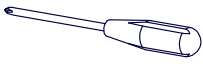
9



4x

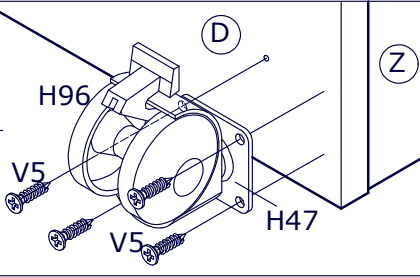
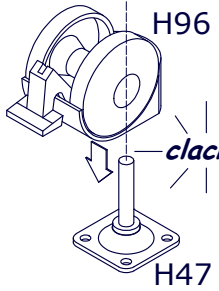
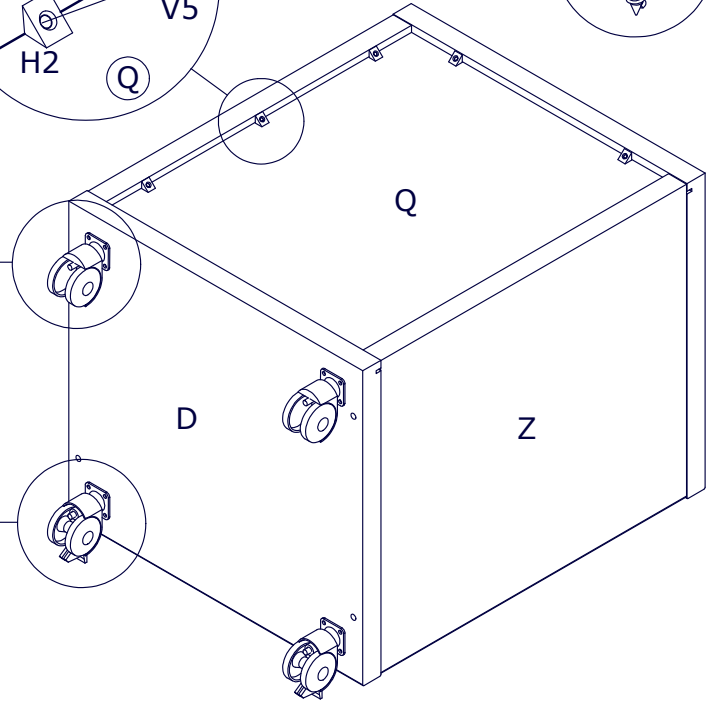
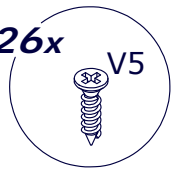
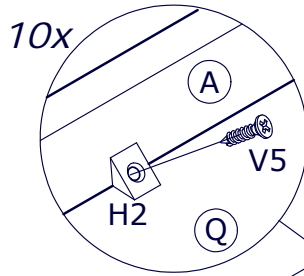
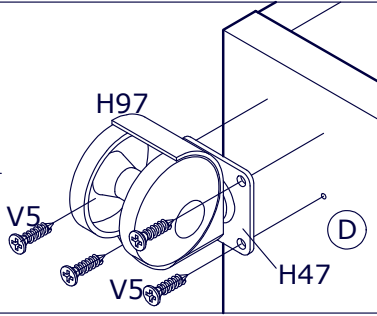
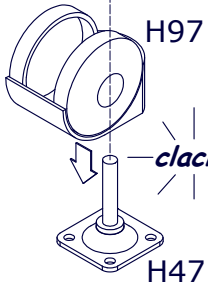


# 10



10x

26x V5



# 11



12x V5

