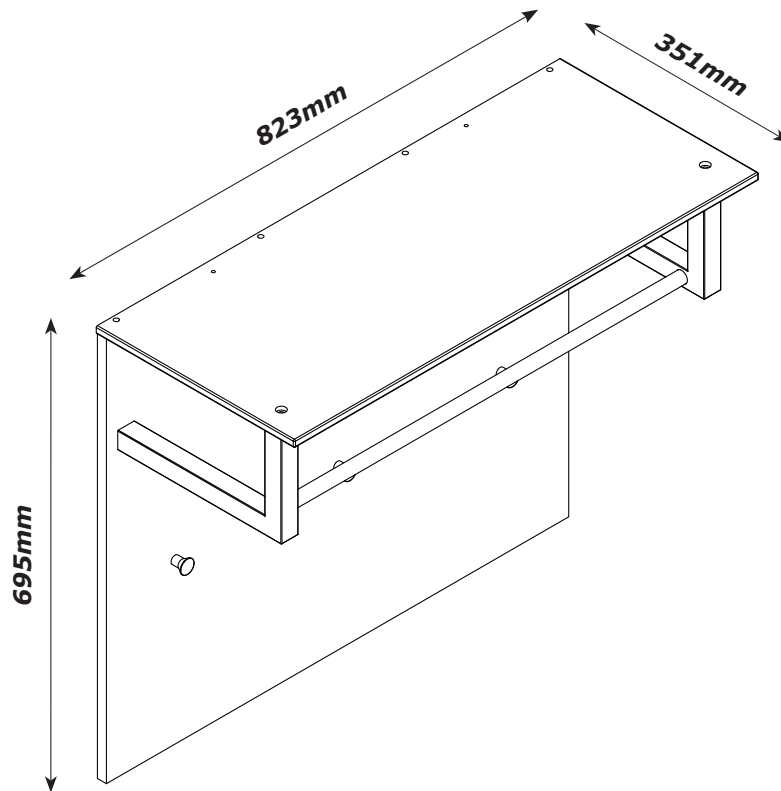
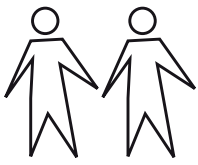


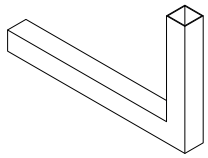
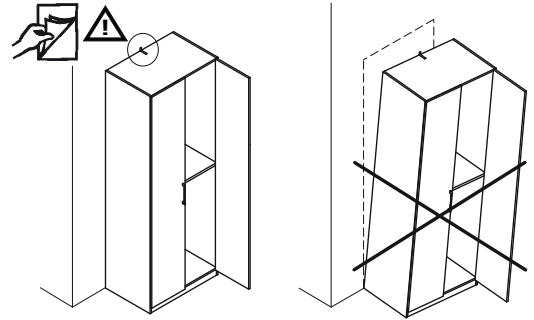
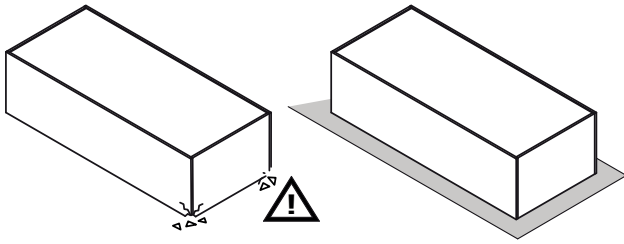
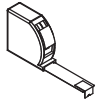
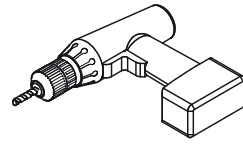
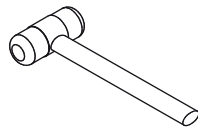
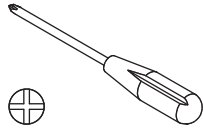
# PN0792K84104



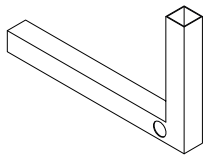
QF6148



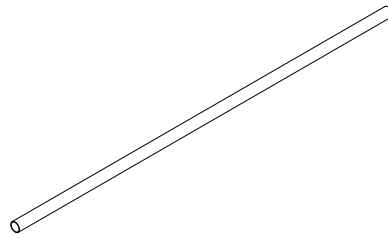
1h



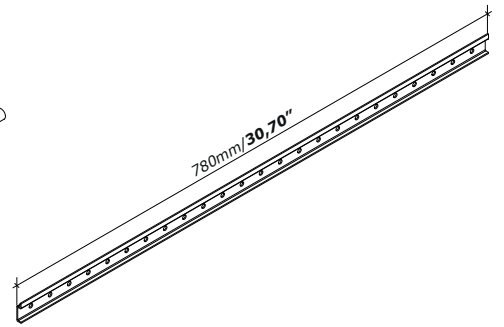
**W579**  
x1



**W578**  
x1

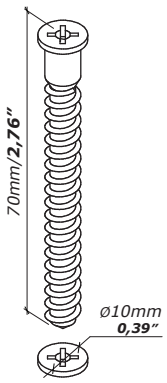


**W667**  
x1

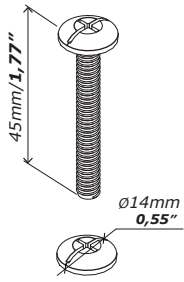


**H343**  
x1

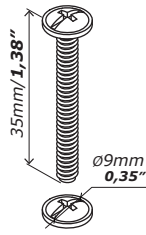
**BU5278**



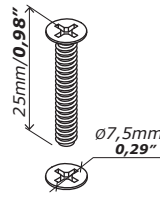
**V115**  
x4



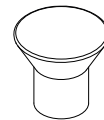
**V76**  
x4



**V123**  
x2



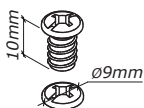
**V104**  
x1



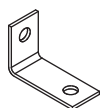
**M196**  
x3



**H302**  
x2



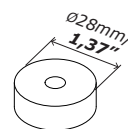
**V175**  
x2



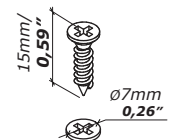
**H141**  
x2



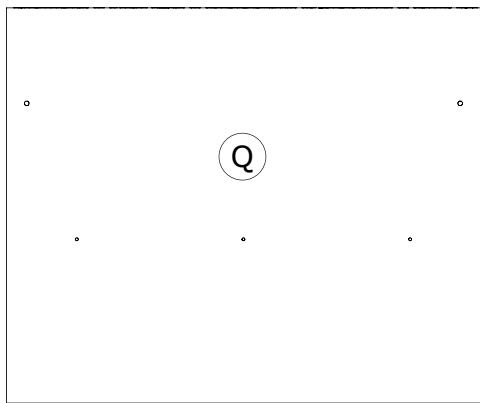
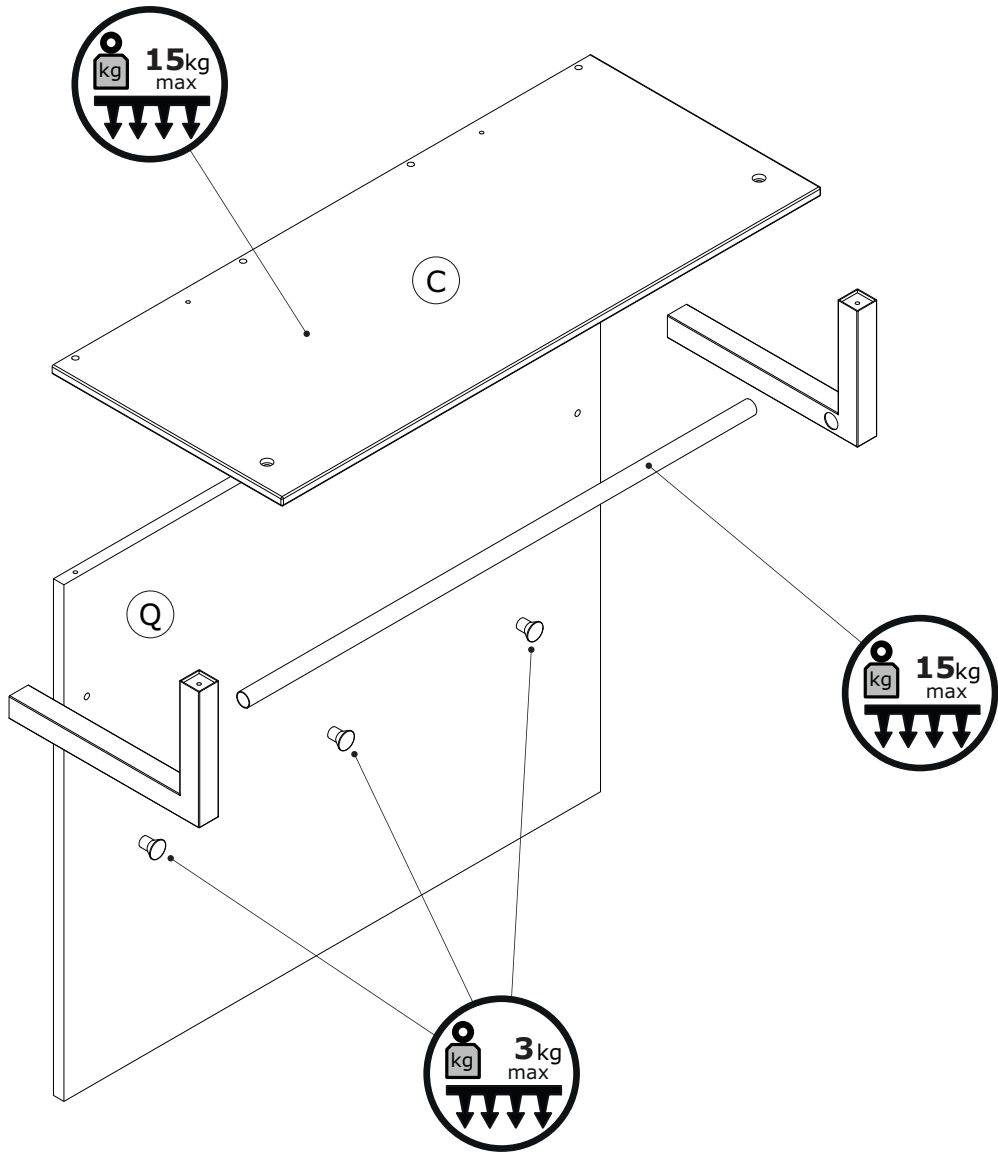
**H342**  
x2



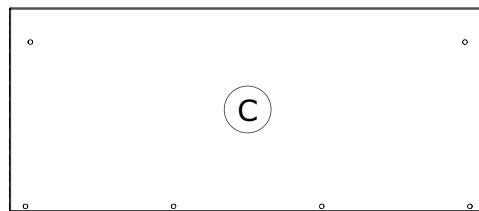
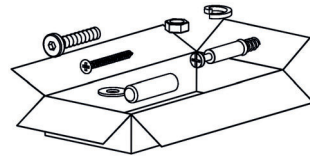
**H327**  
x2



**V5**  
x6

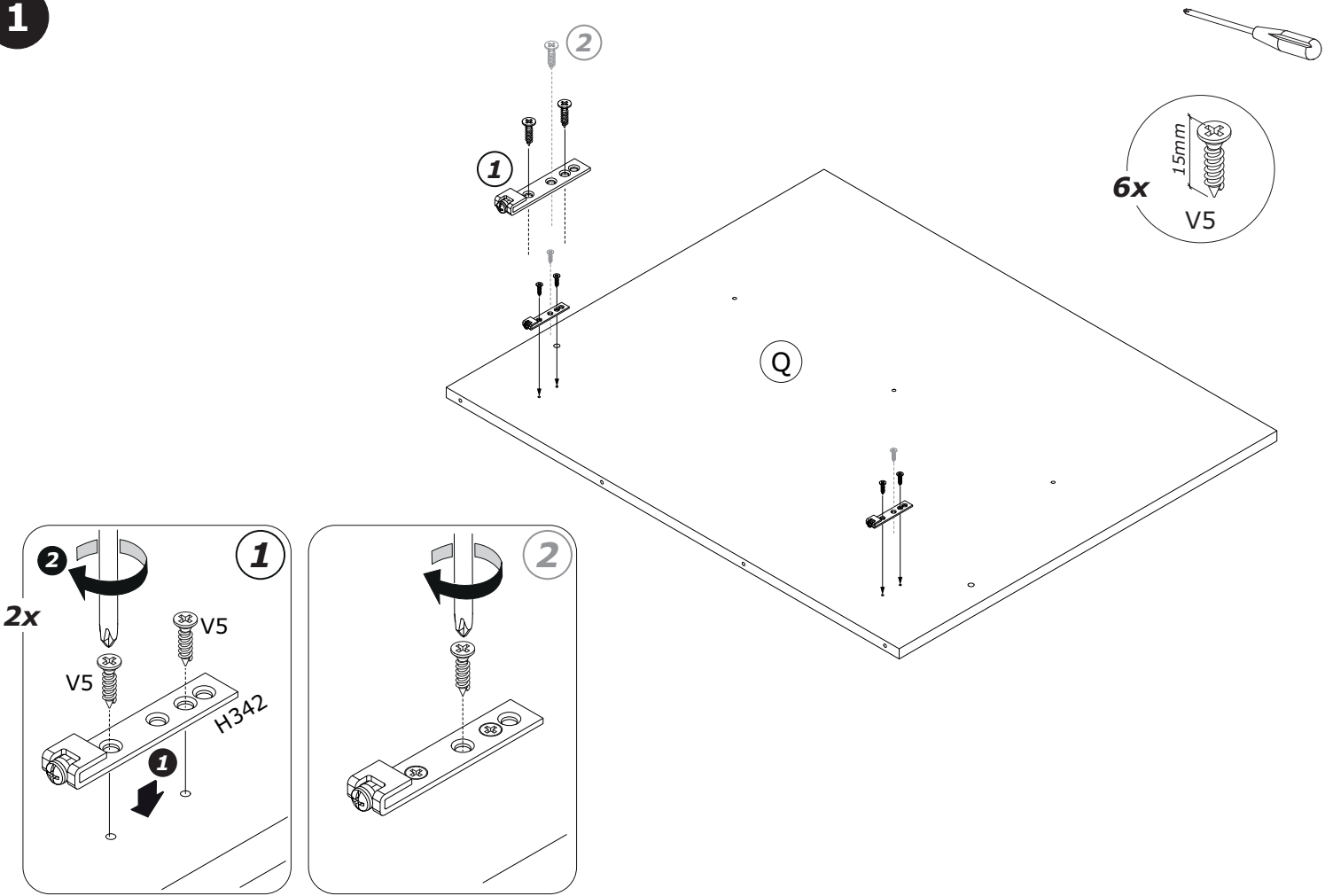


**SH3948**  
638x819x16mm

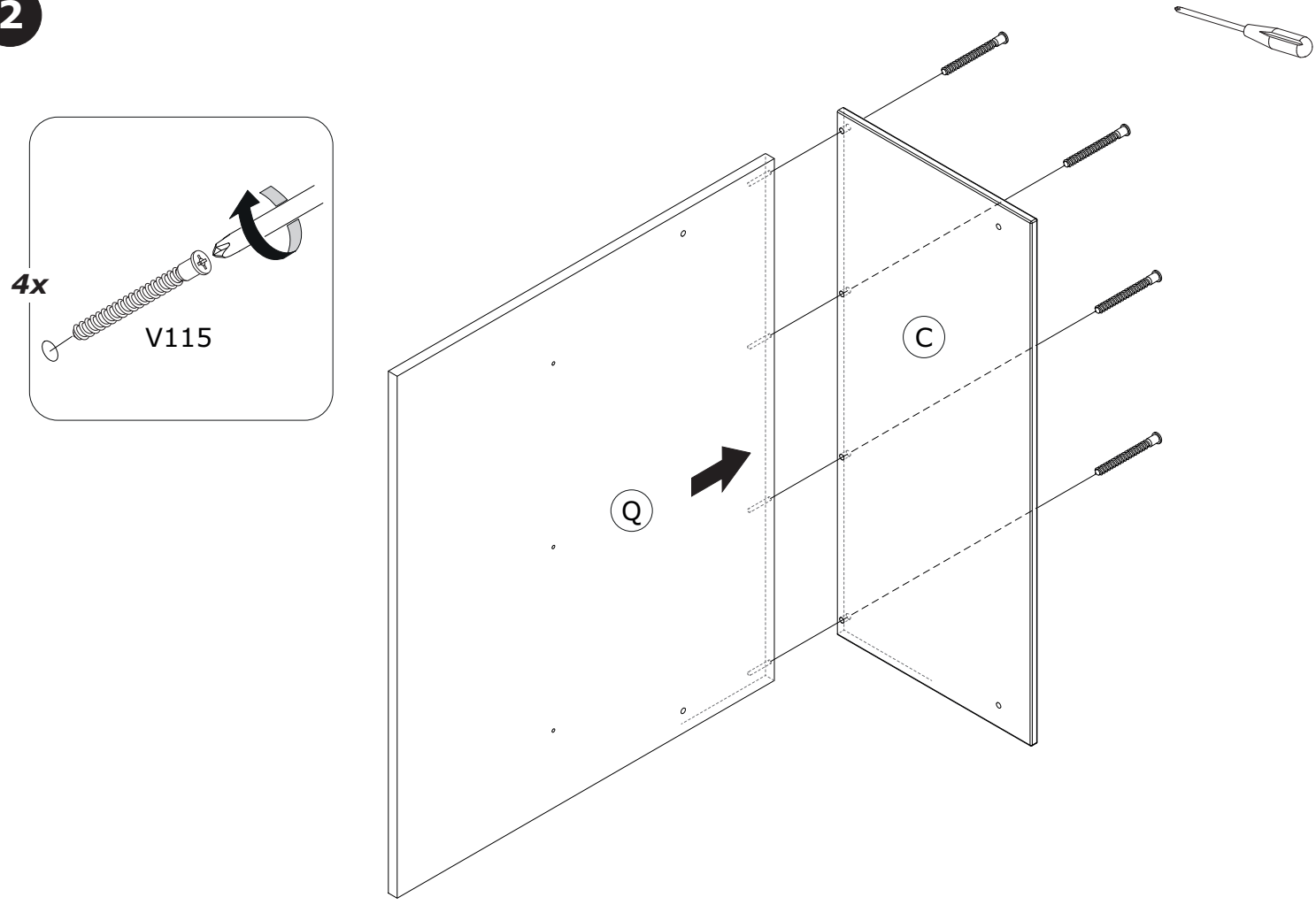


**CA4062**  
823x351x12mm

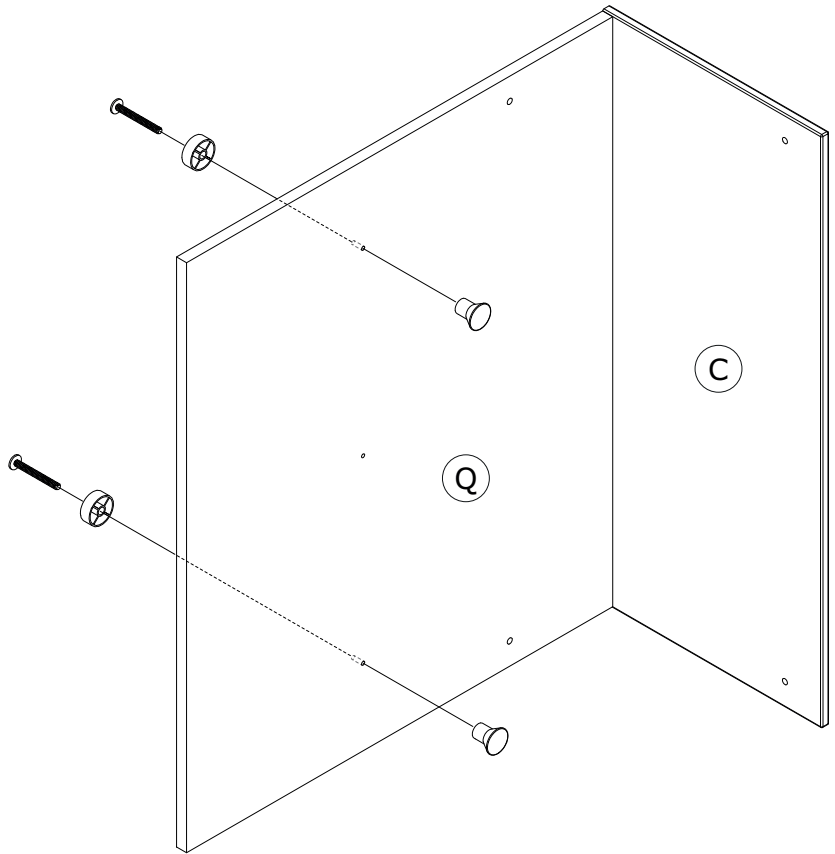
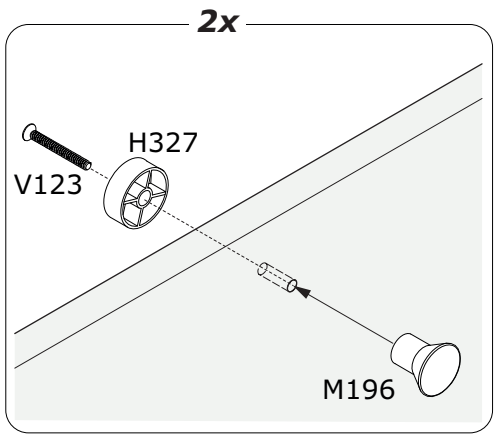
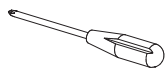
**1**



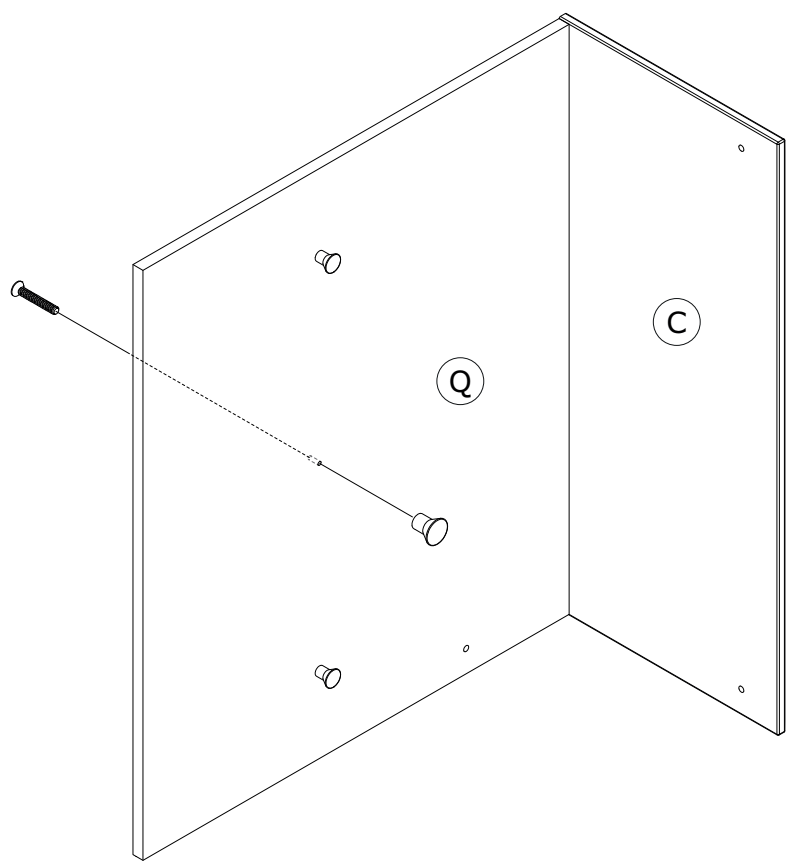
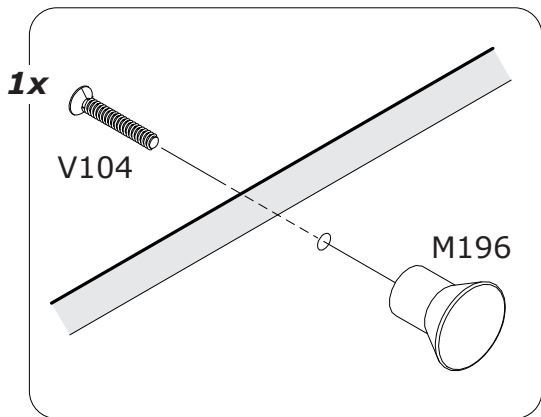
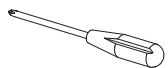
**2**



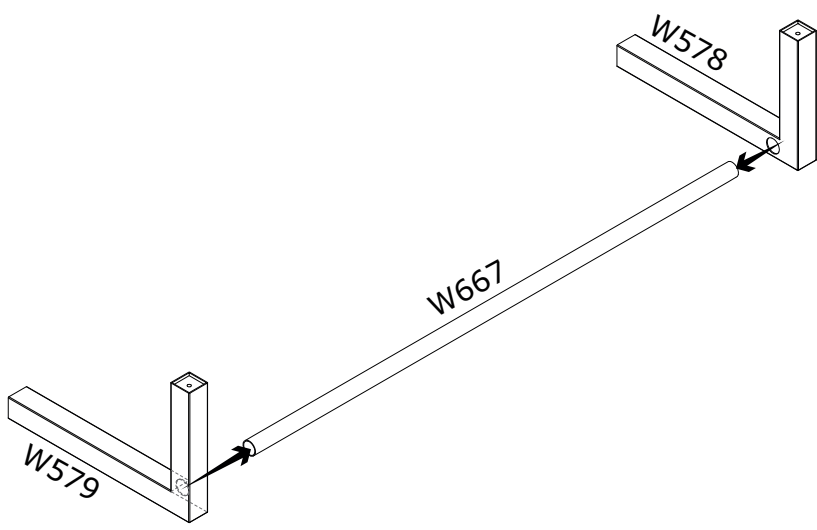
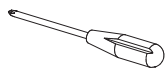
3



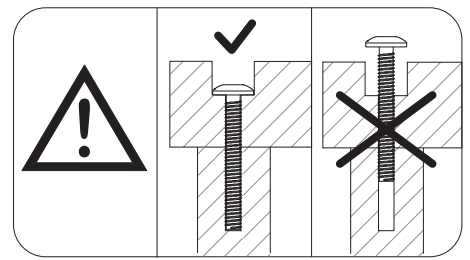
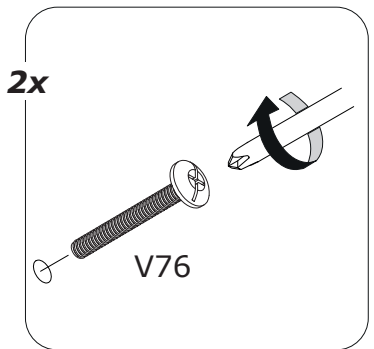
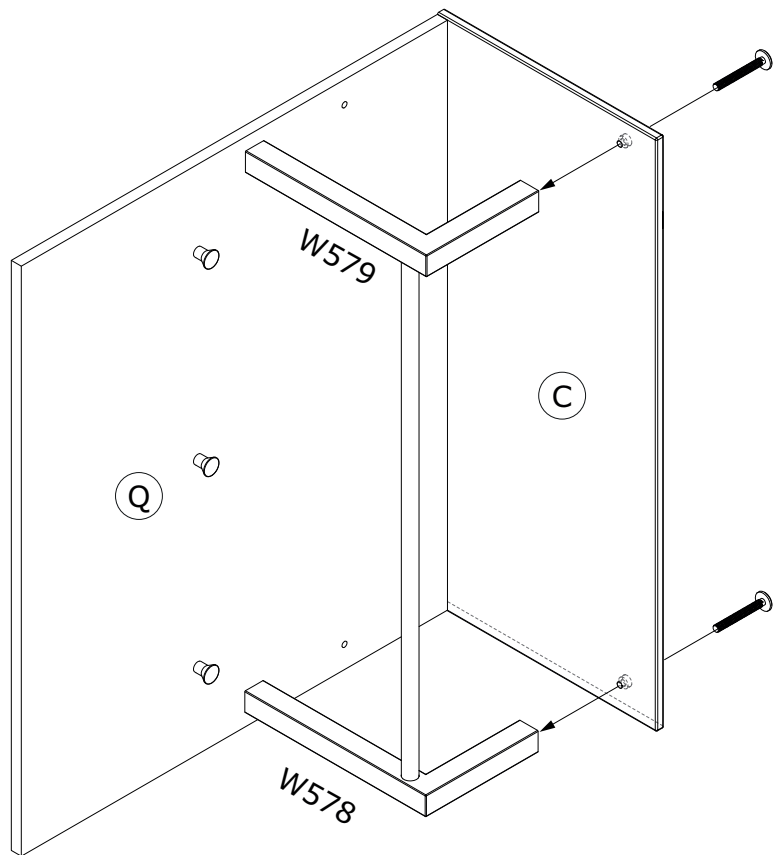
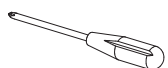
4



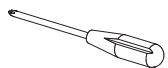
5



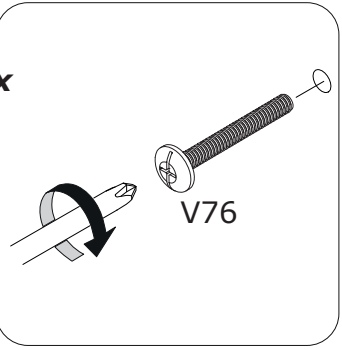
6



7

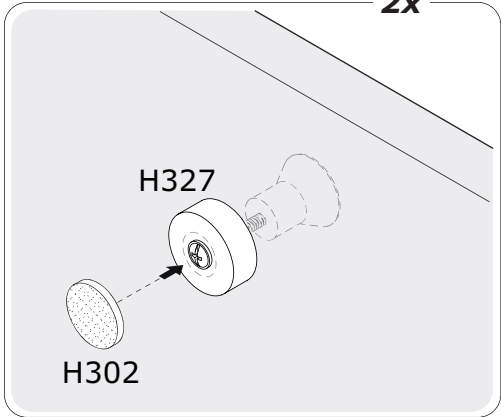


2x



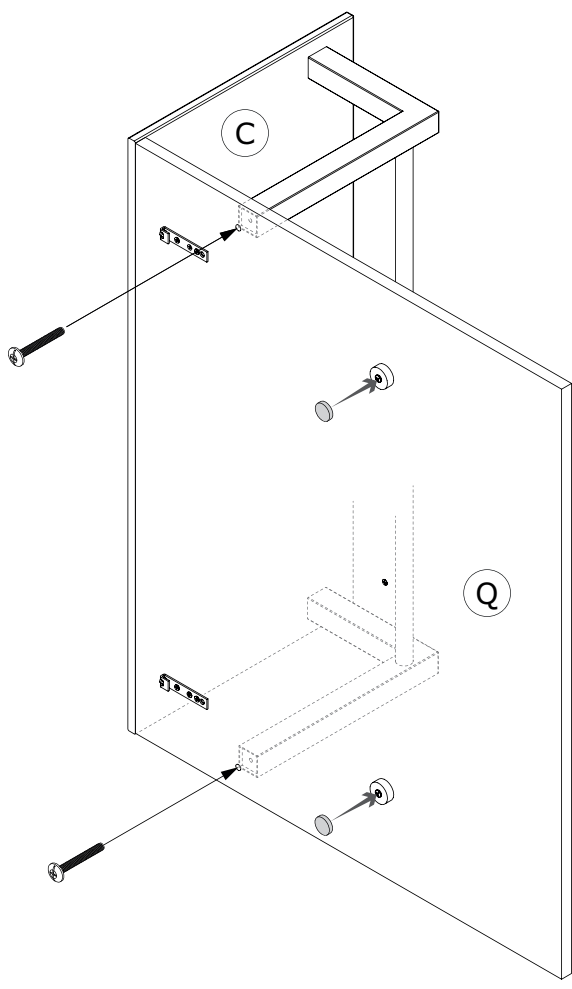
V76

2x

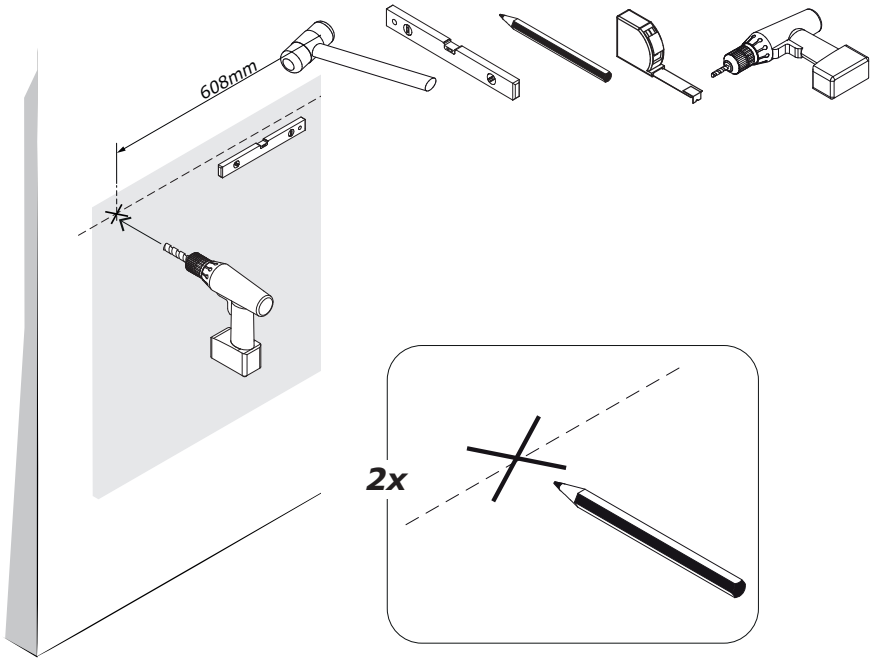
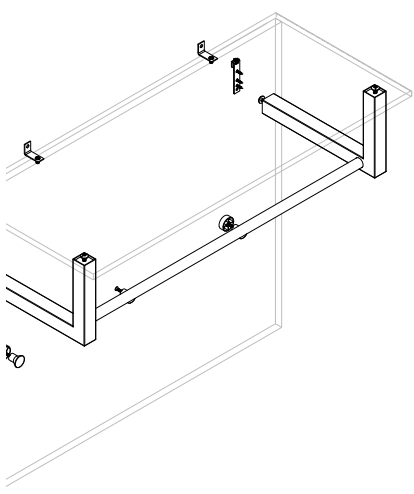


H327

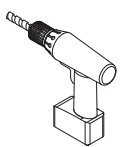
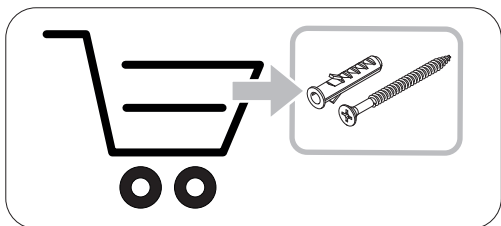
H302



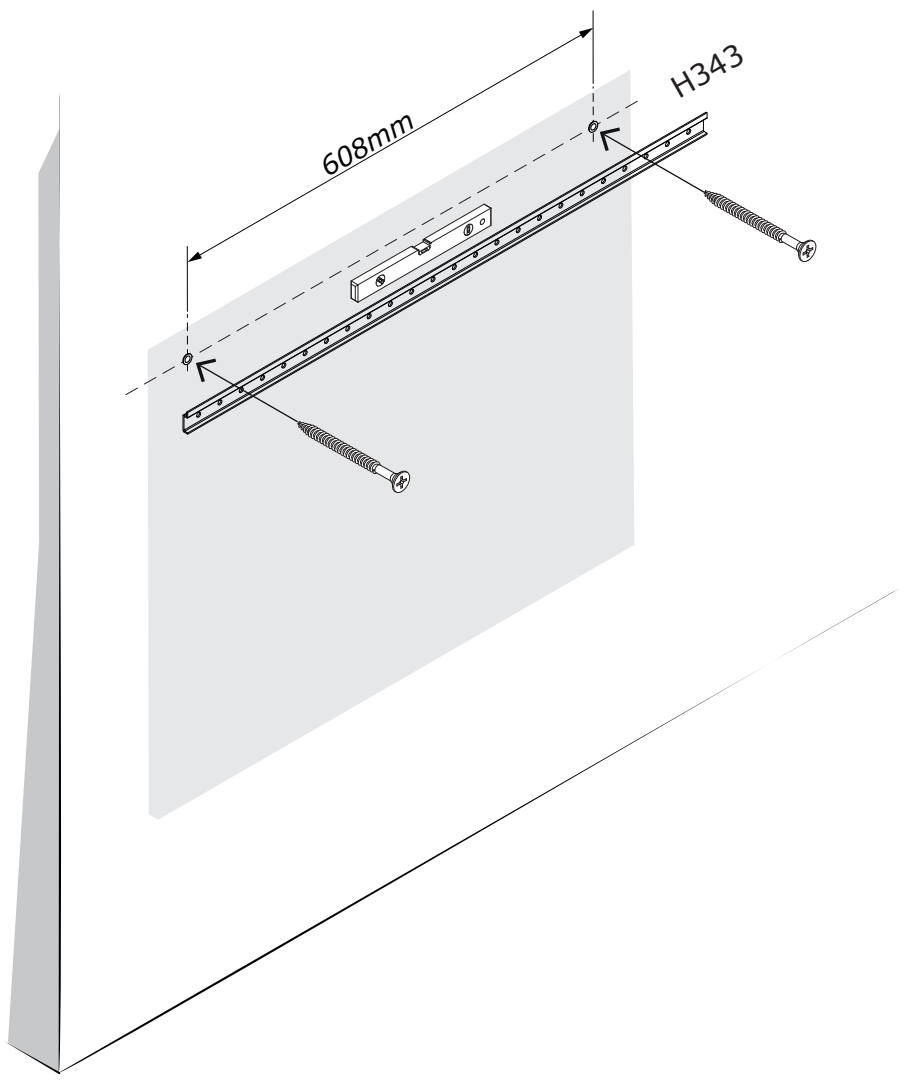
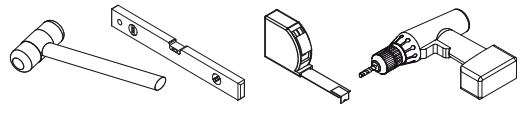
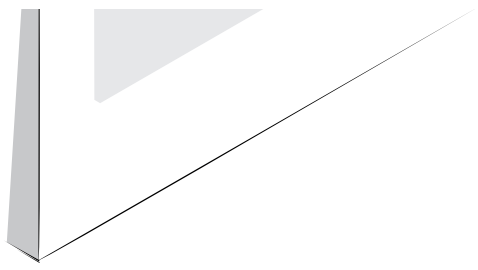
8



2x



9





10

