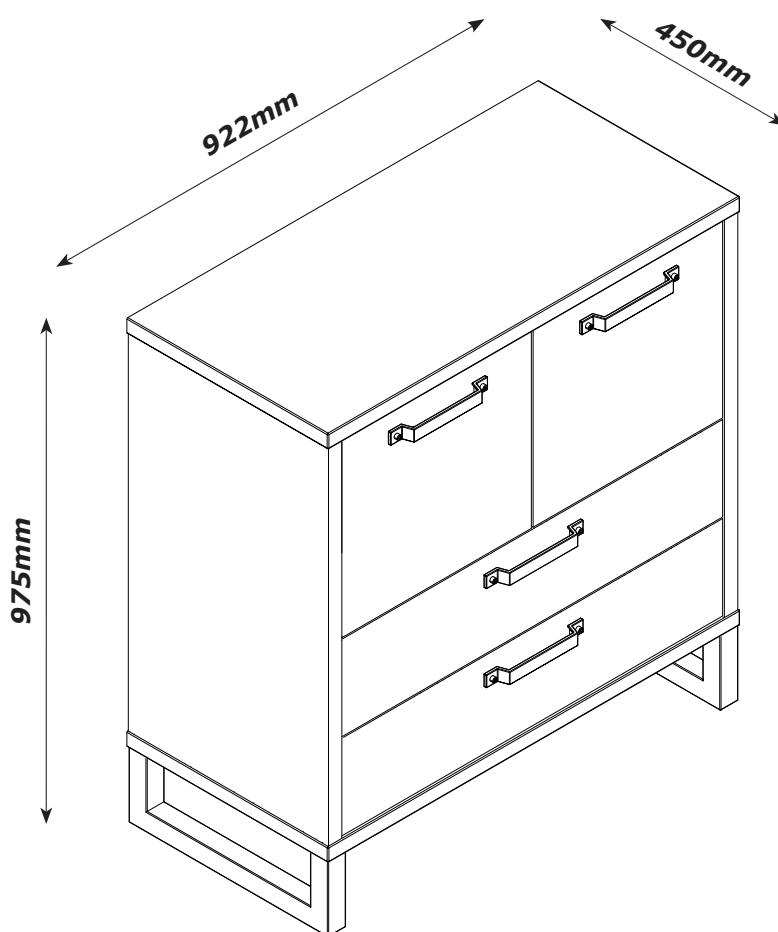


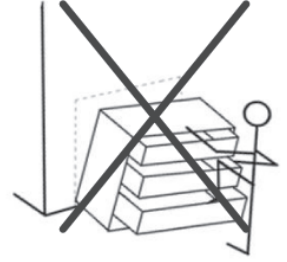
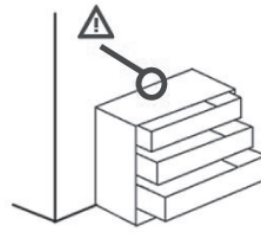
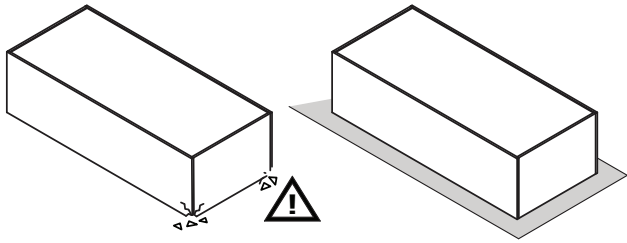
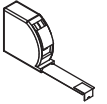
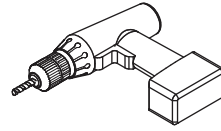
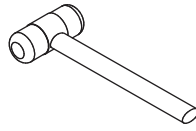
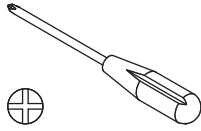
CT2107K76604



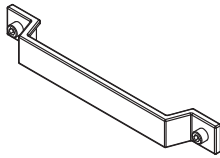
QF5518



2h



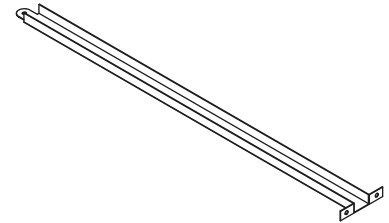
BU4635



M214
x4

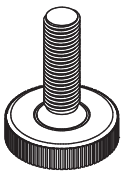


A34
x4



W398
x2

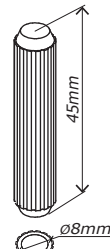
BU4538



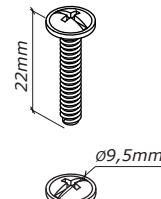
P14
x4



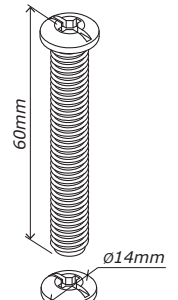
T28
x16



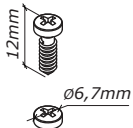
H325
x12



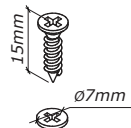
V32
x8



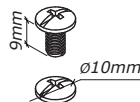
V152
x4



V98
x8



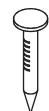
V5
x16



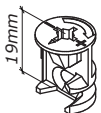
V38
x4



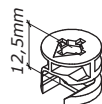
R40
x4



H15
x24



T97
x8



T7
x4



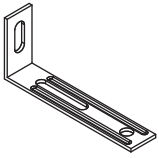
T98
x4



H2
x8



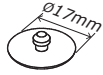
H54
x8



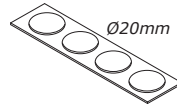
H185
x1



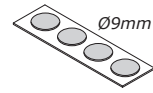
H129
x2



G136
x4



G149
x4

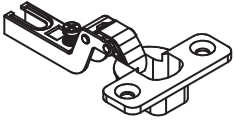


G188
x4

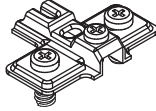


H113
x4

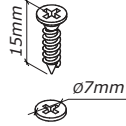
BU0523



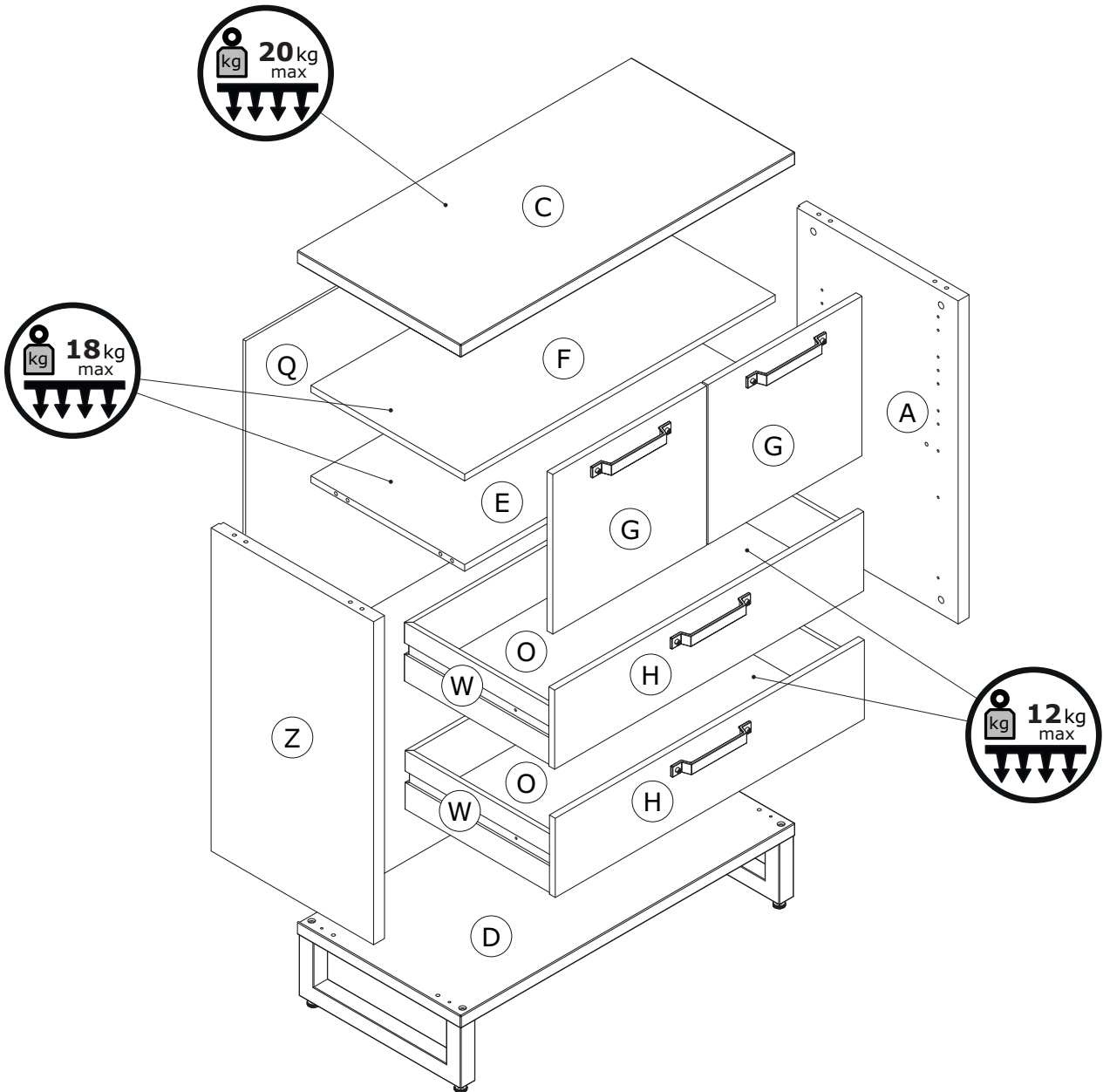
C39
x4

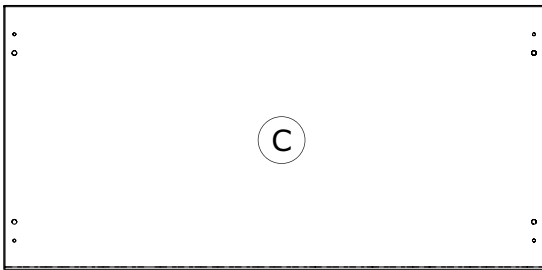


B9
x4

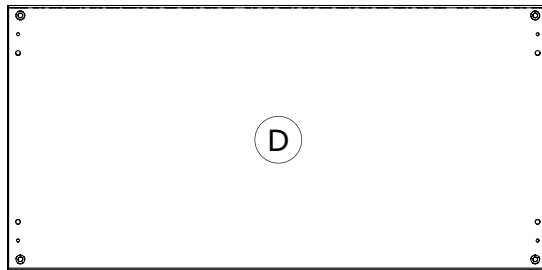


V5
x8

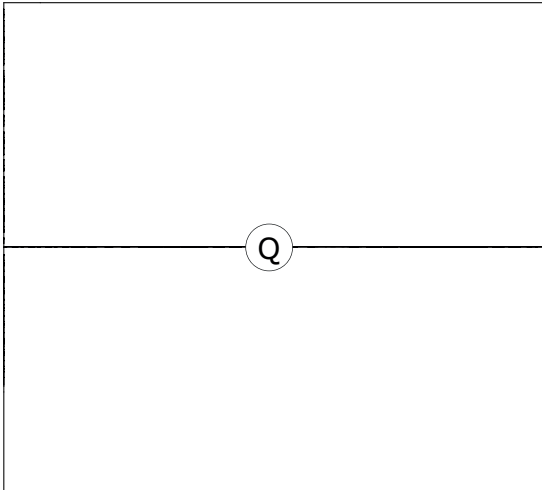




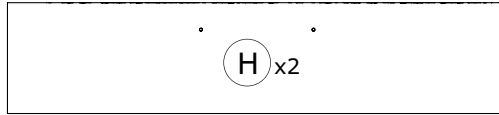
CA3749
922x450x30mm



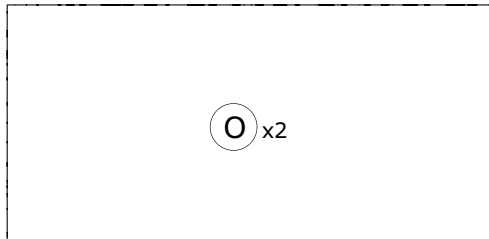
BA2286
922x450x30mm



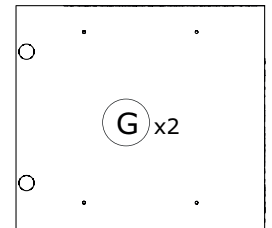
SH3531
870x785x2mm



CS3774
852x189x16mm

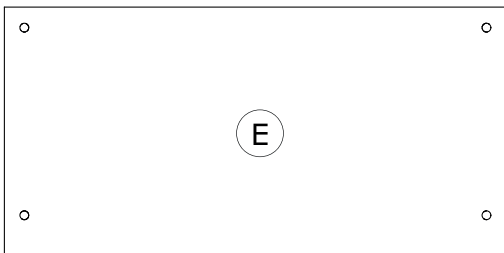


SH3530
835x401x2mm

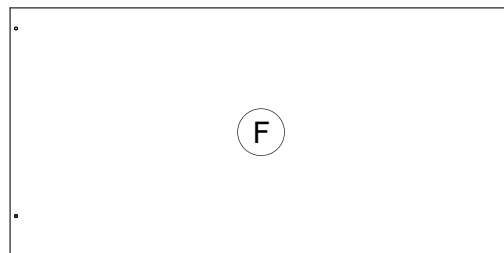


AN3027
424x381x16mm

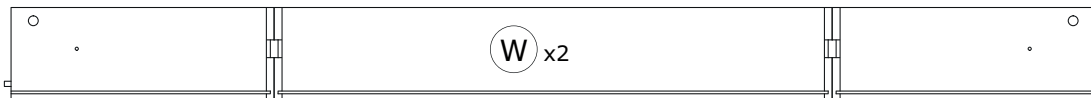
BOX 1/2



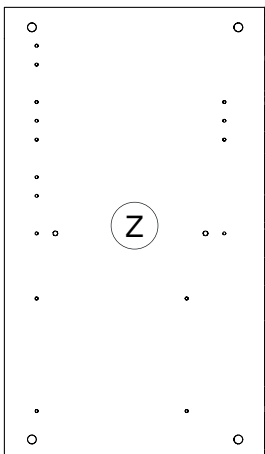
PI7332
856x424x16mm



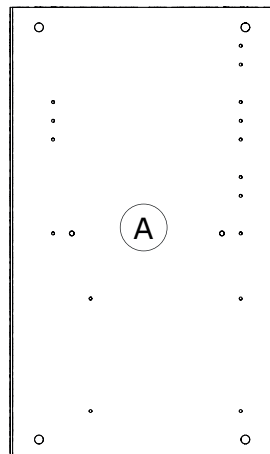
PI7333
856x424x16mm



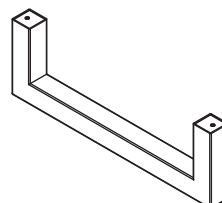
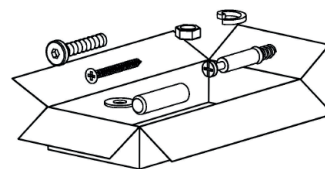
OF0623
400x848x400mm H.140mm



FI9004
771x448x30mm



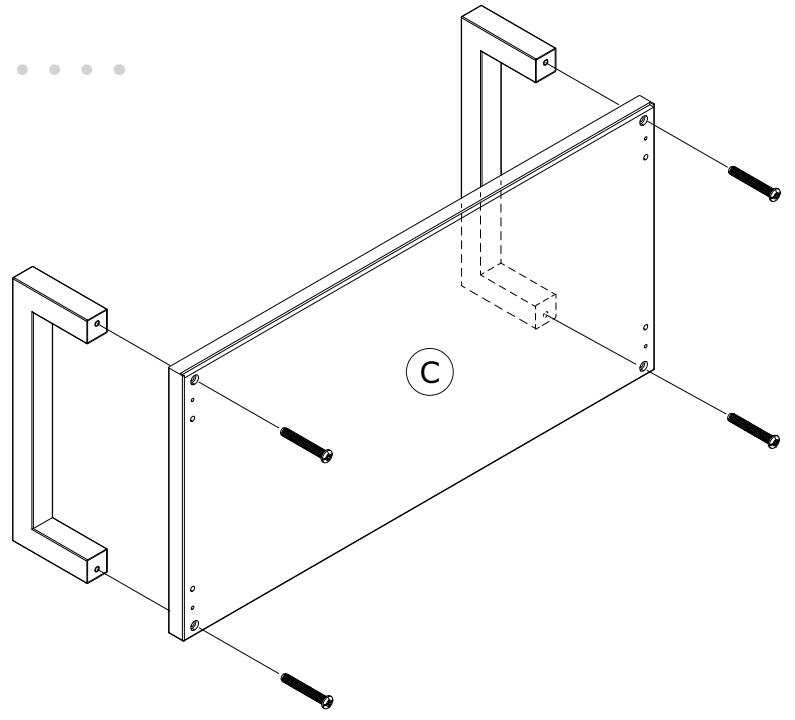
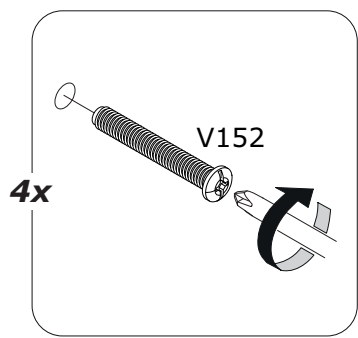
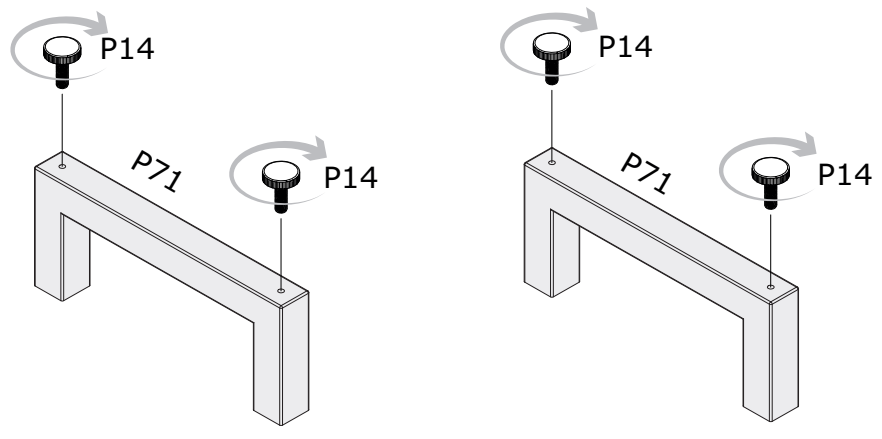
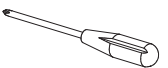
FI9003
771x448x30mm



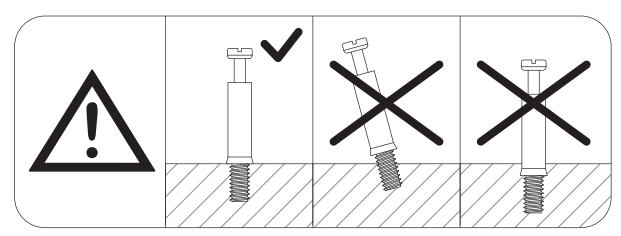
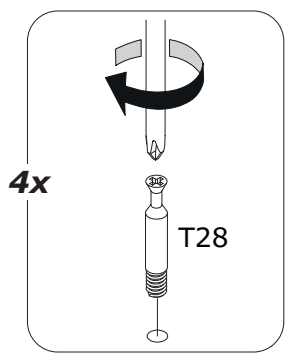
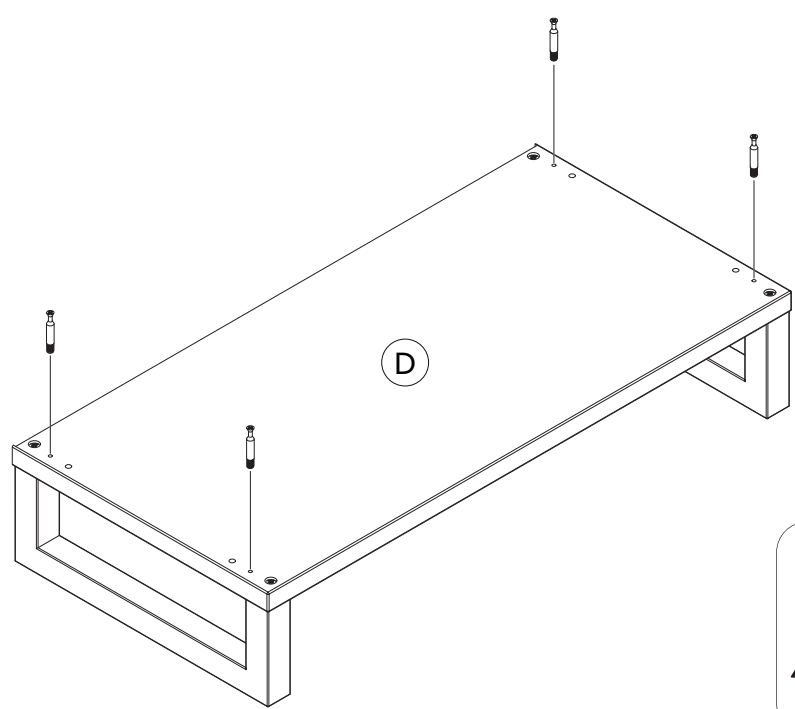
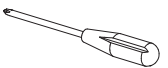
P71
x2

BOX 2/2

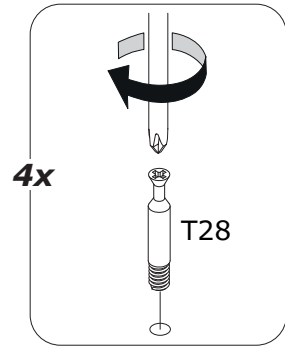
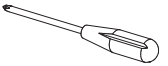
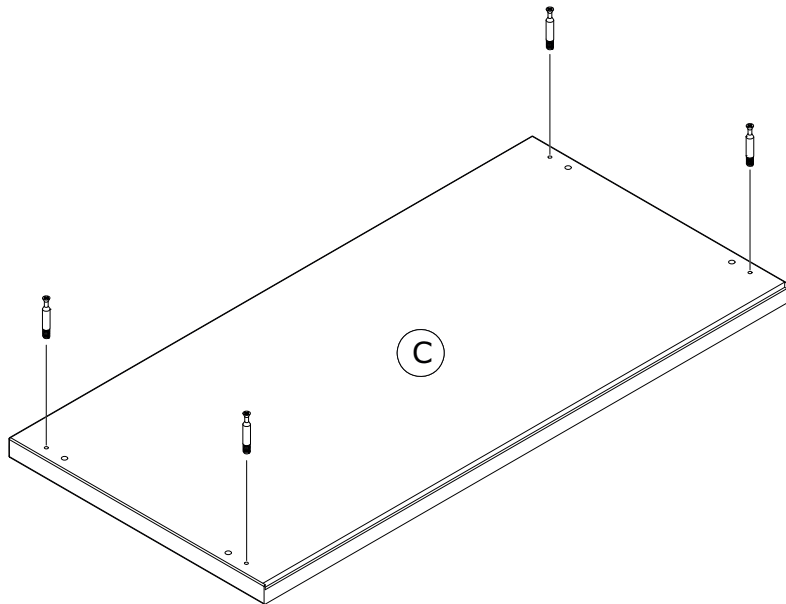
1



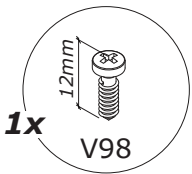
2



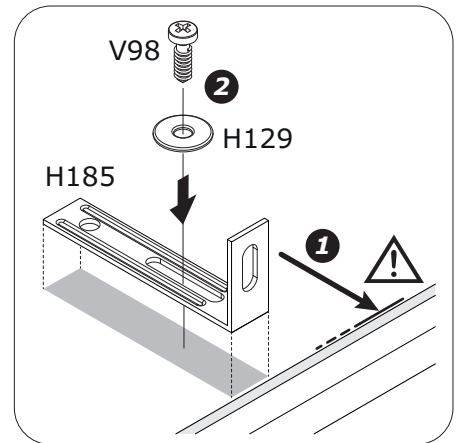
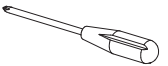
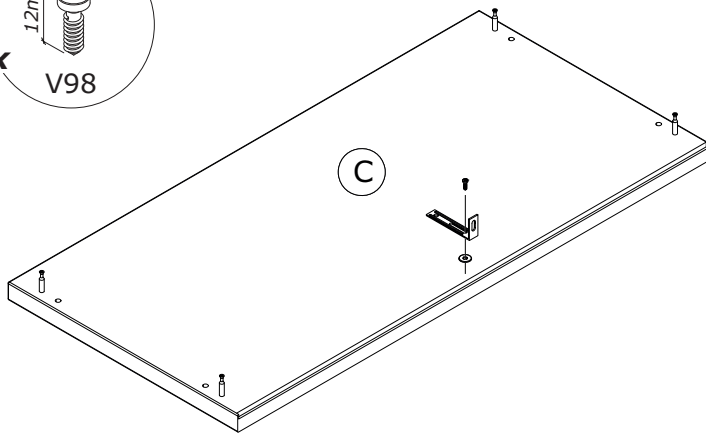
3



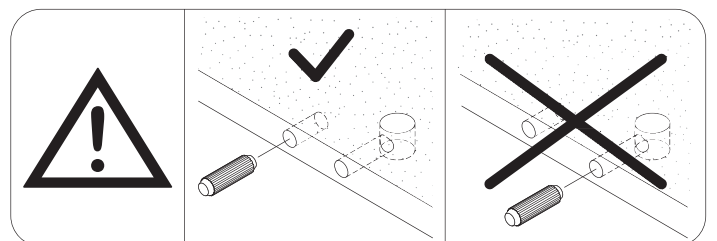
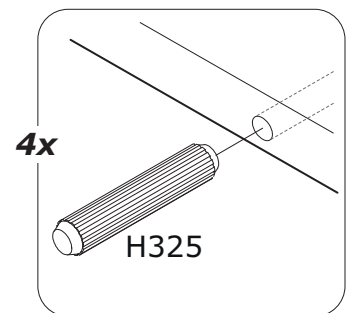
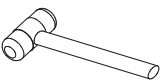
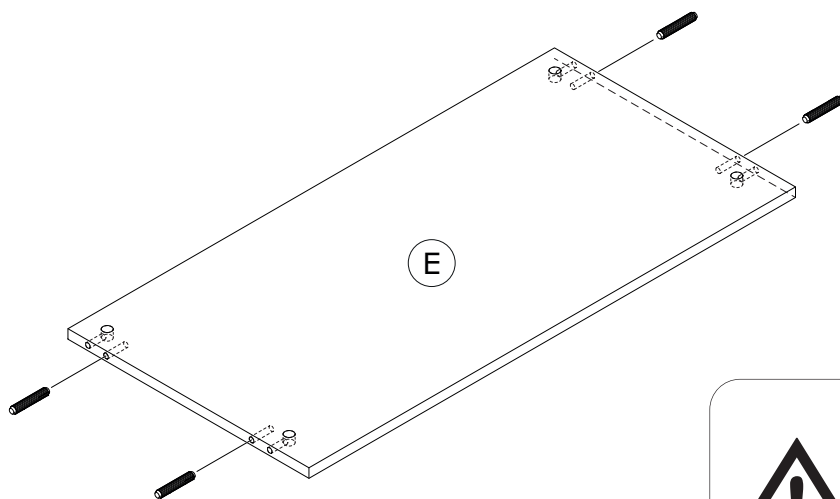
4



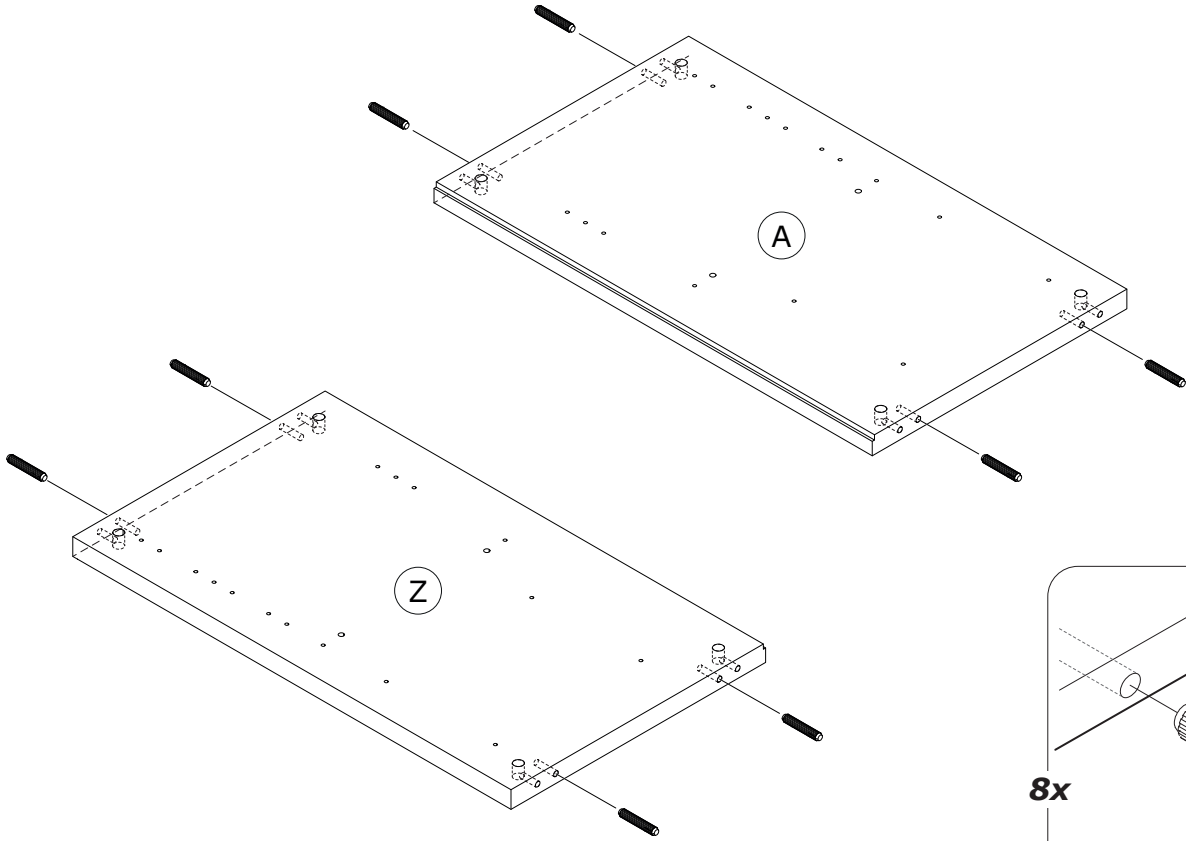
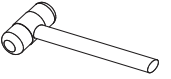
1x



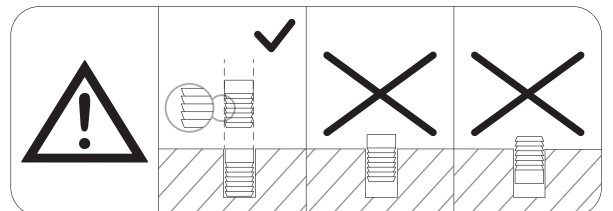
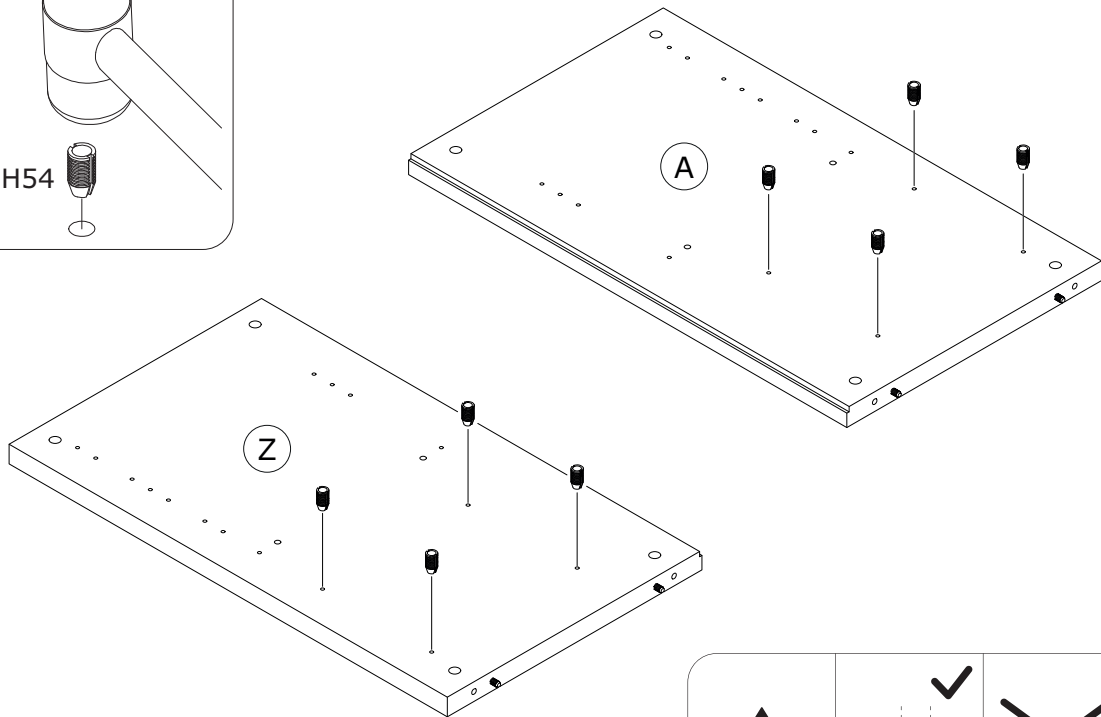
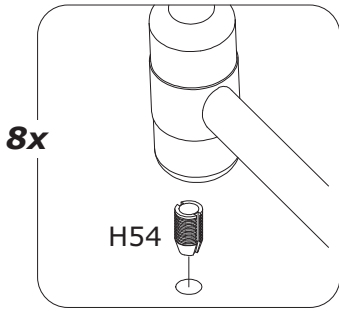
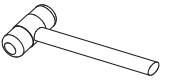
5



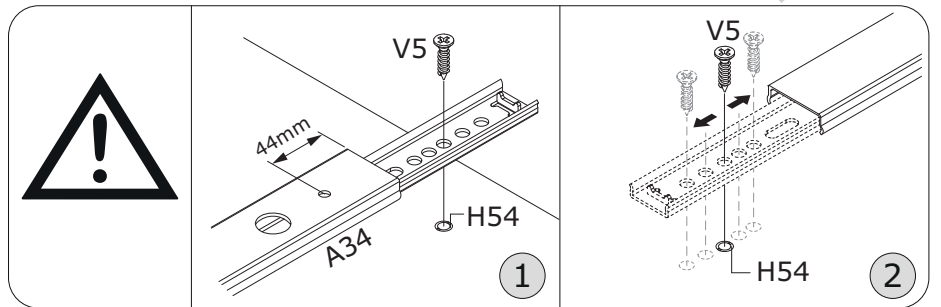
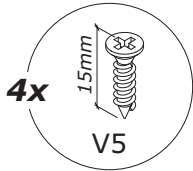
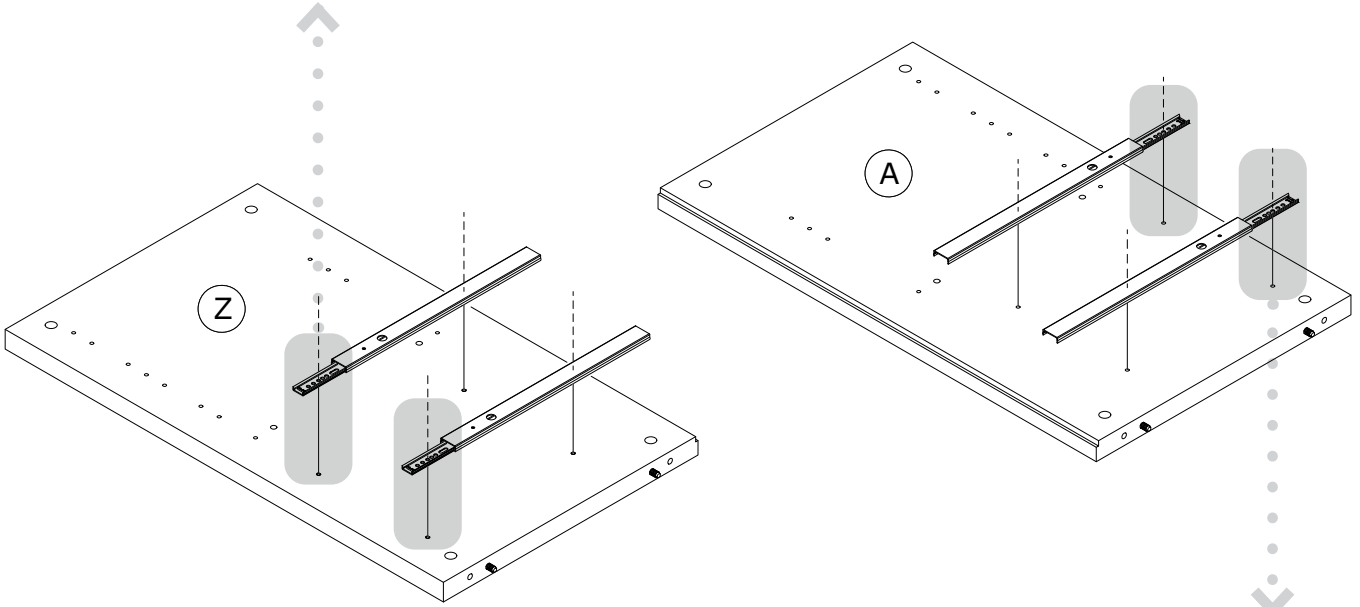
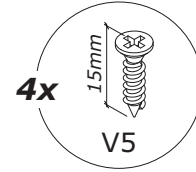
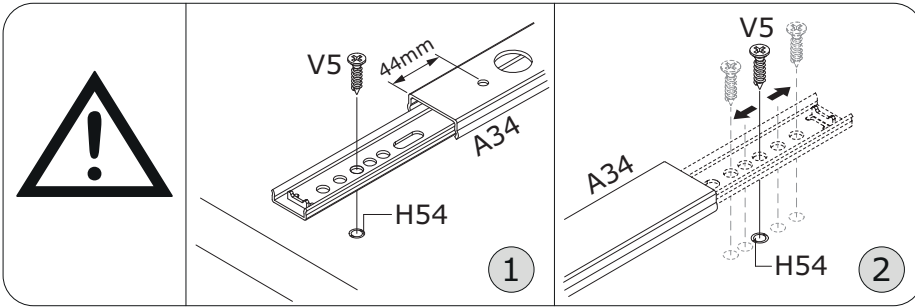
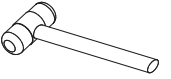
6



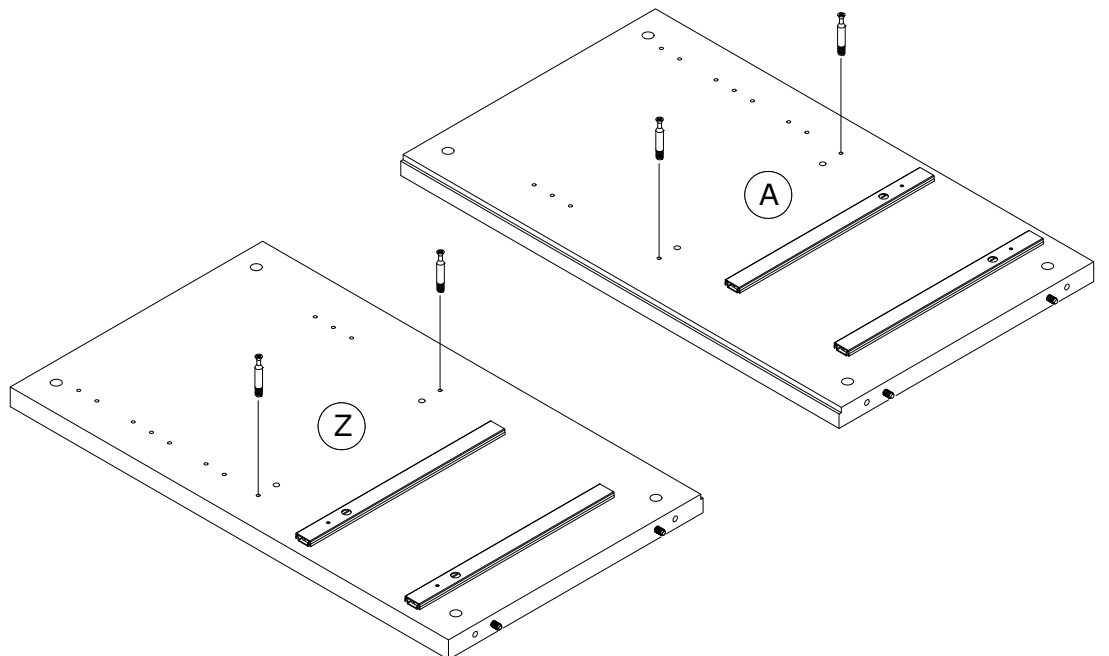
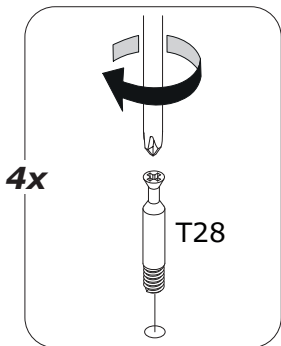
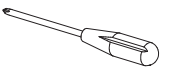
7



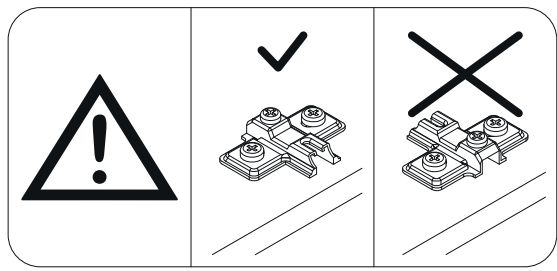
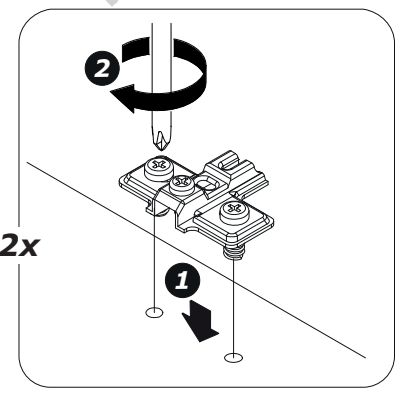
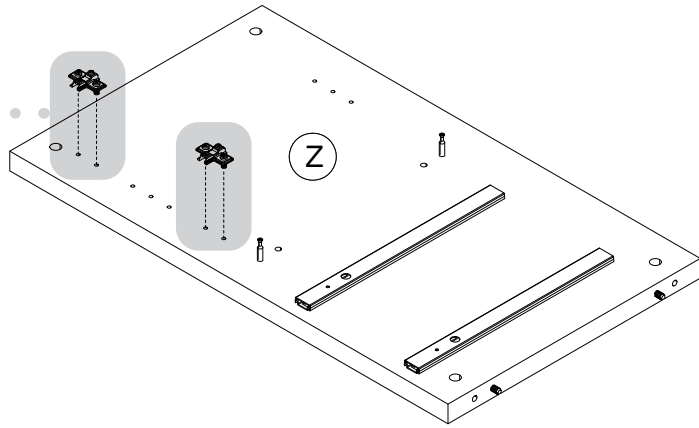
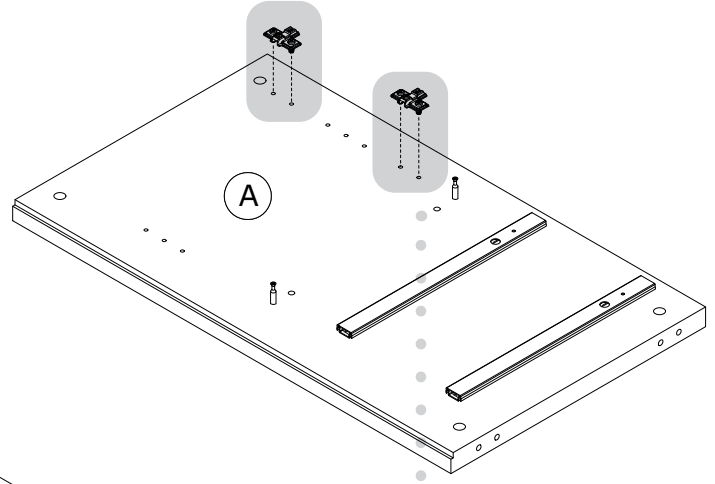
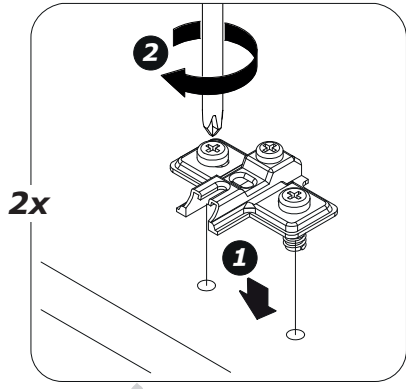
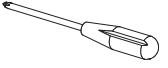
8



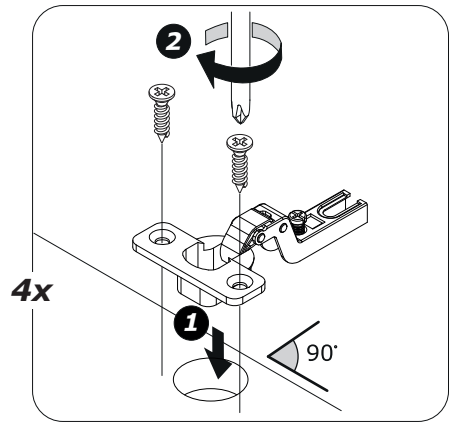
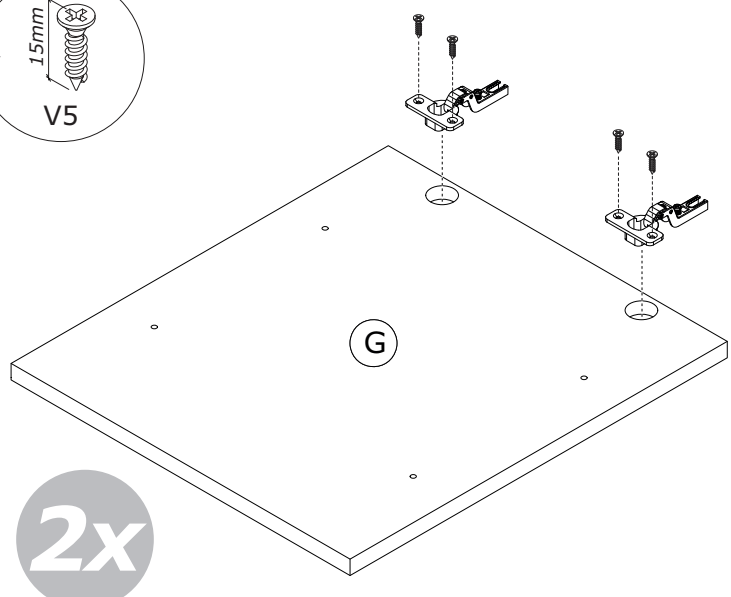
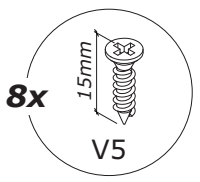
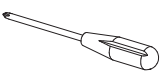
9

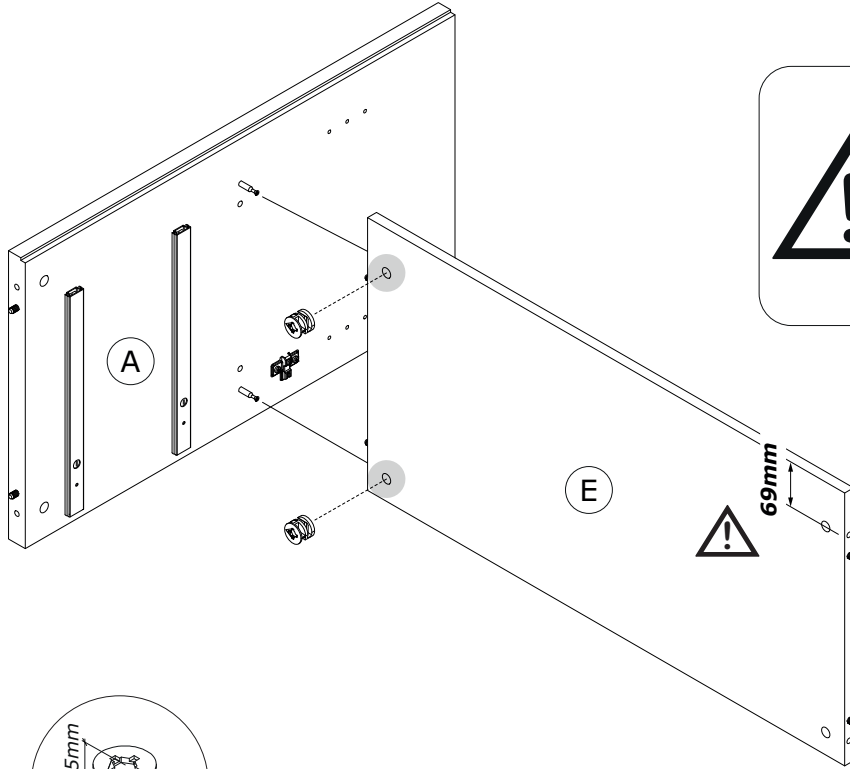
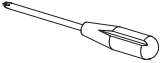


10



11



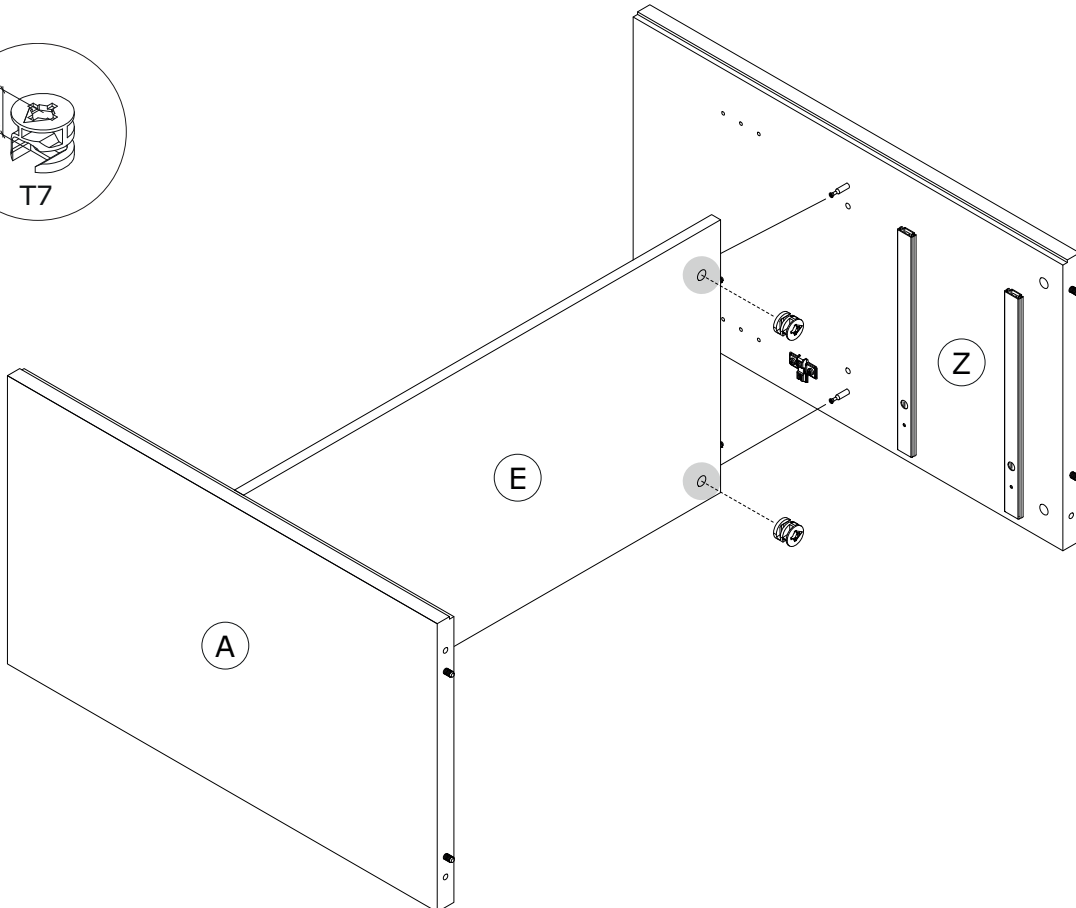


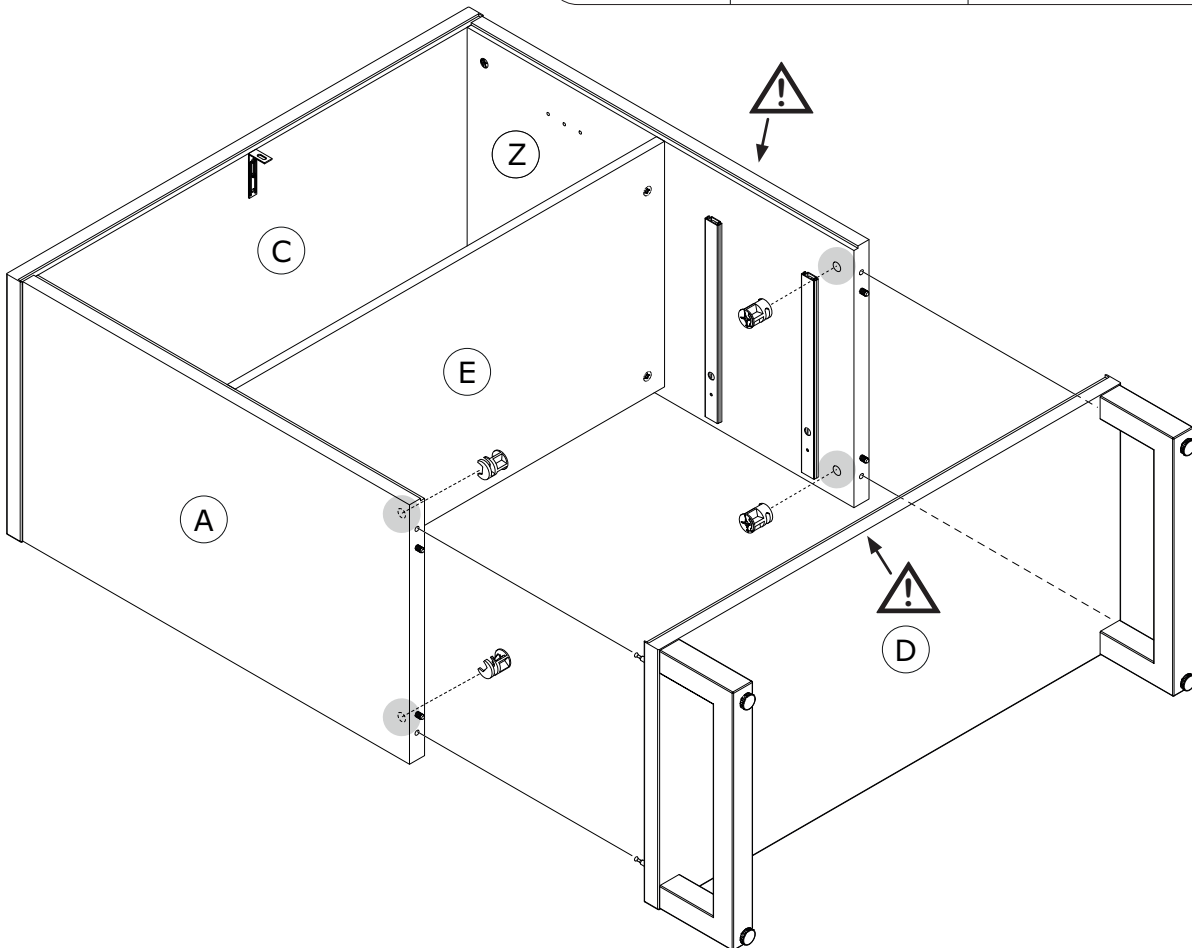
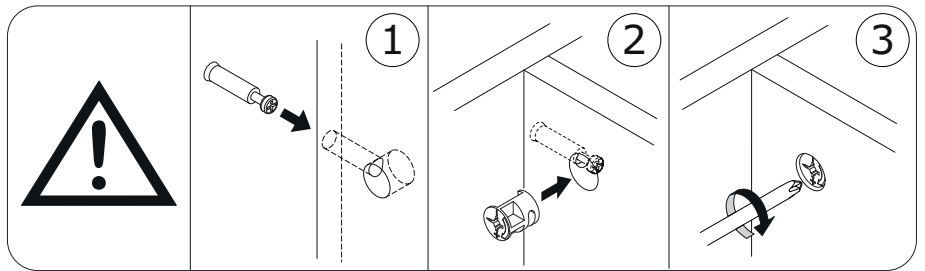
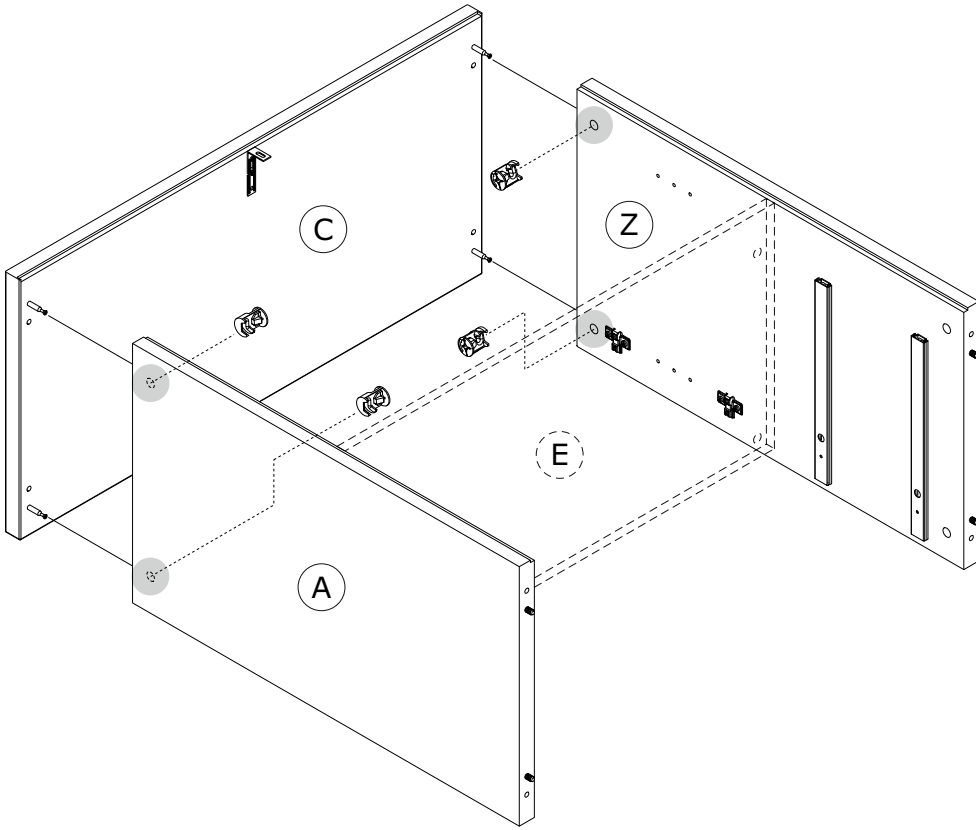
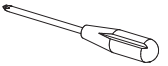
	 12.5mm T7	 10mm T98
--	------------------	-----------------

2x
12.5mm
T7

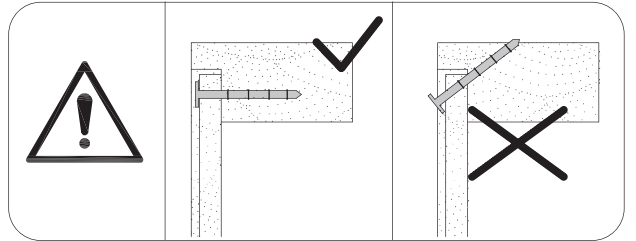
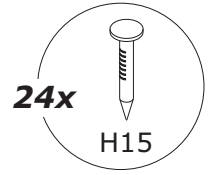
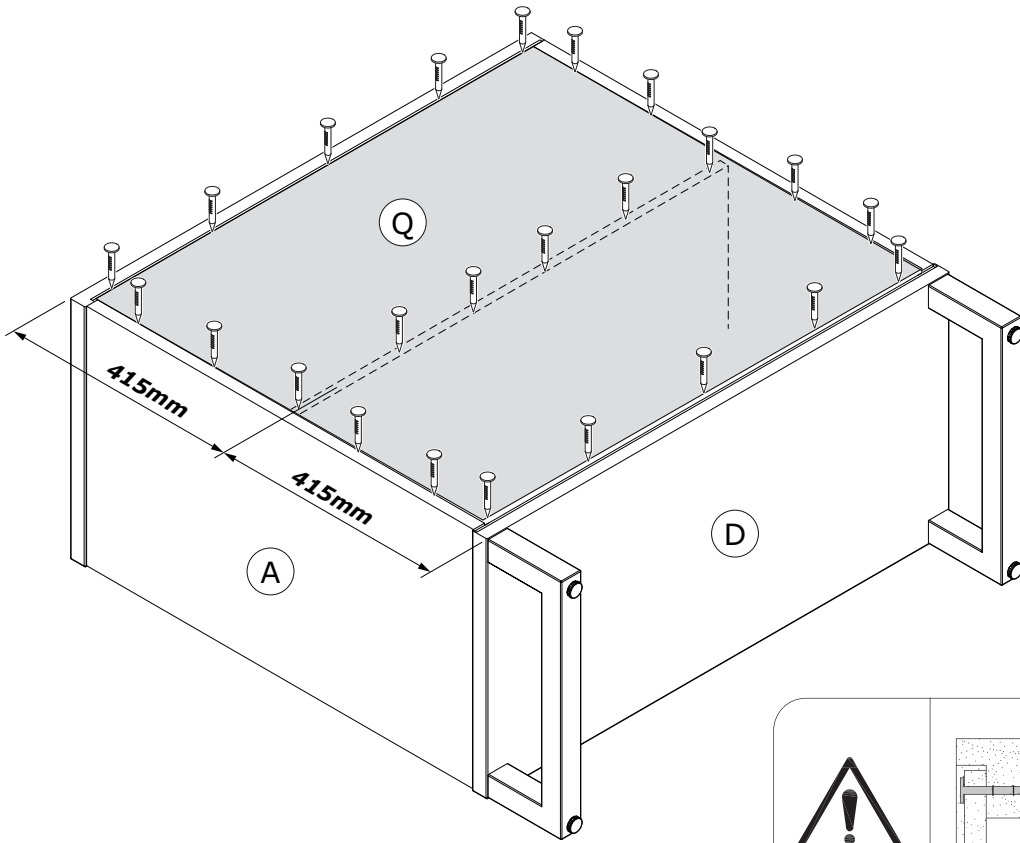
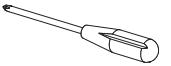
	1 	2 	3
--	-------	-------	-------

2x
12.5mm
T7

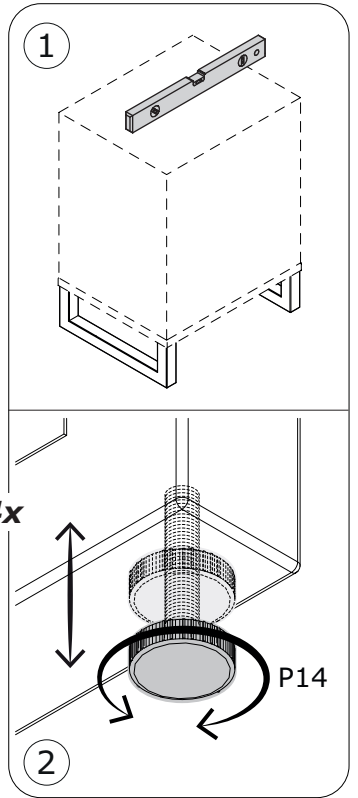
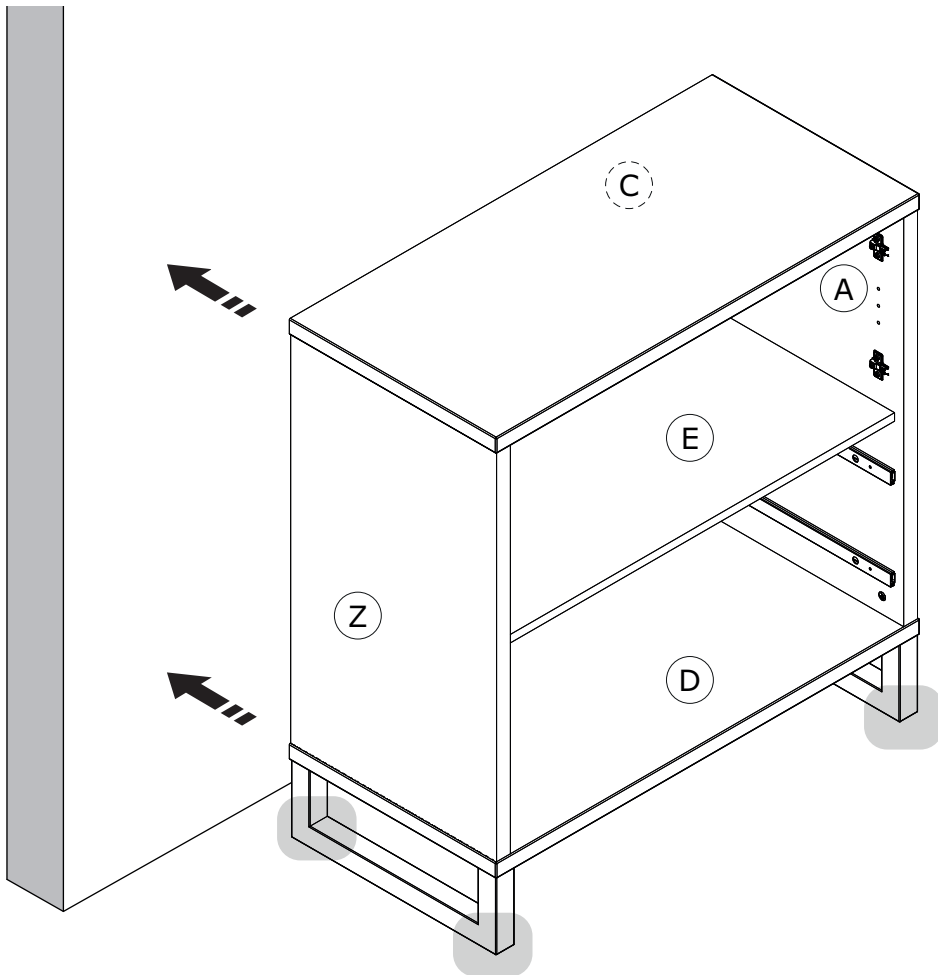


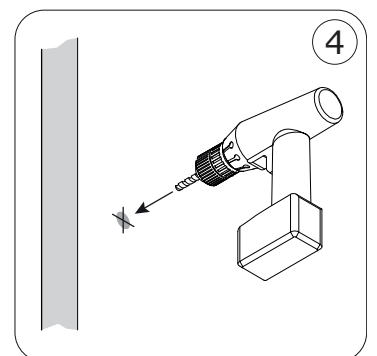
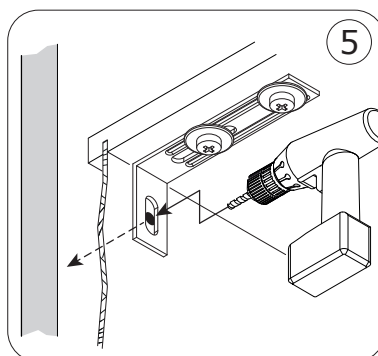
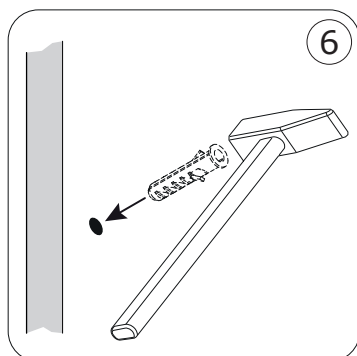
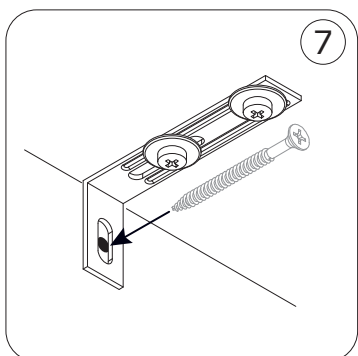
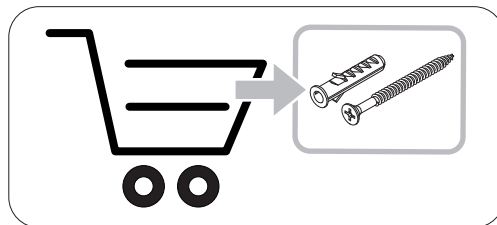
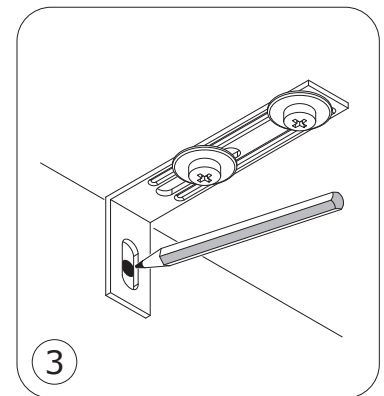
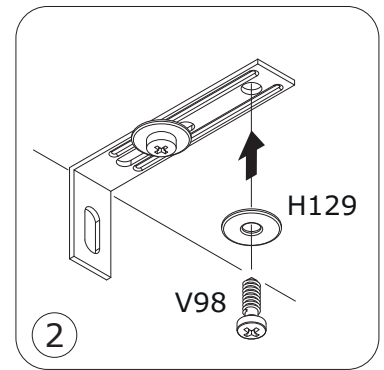
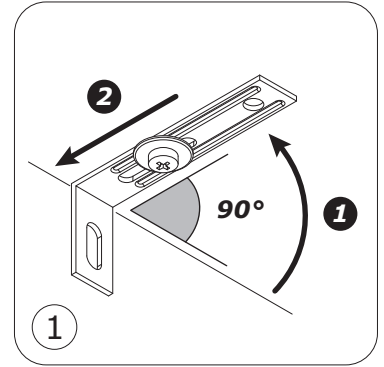
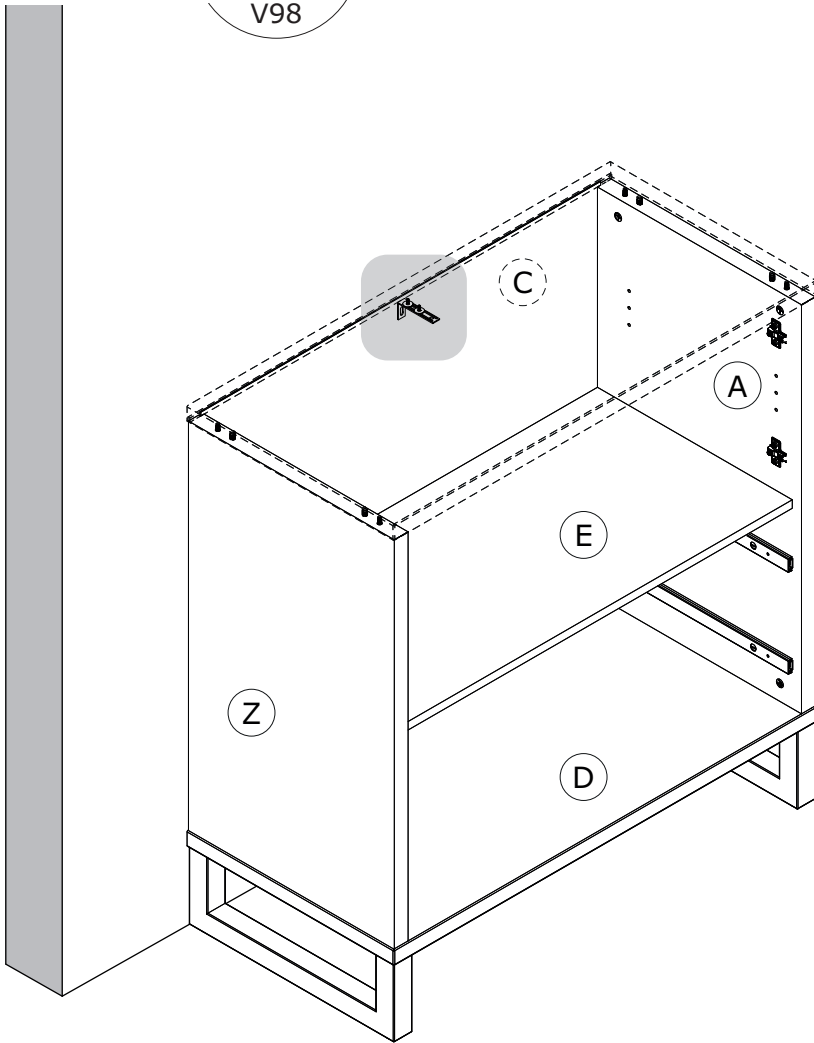
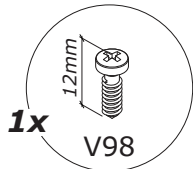
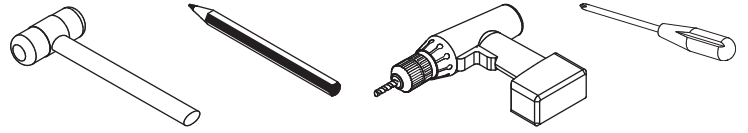


14

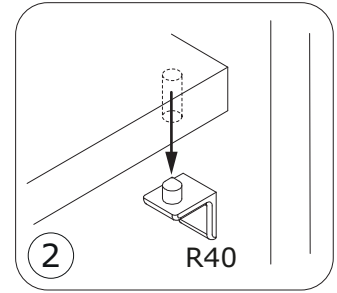
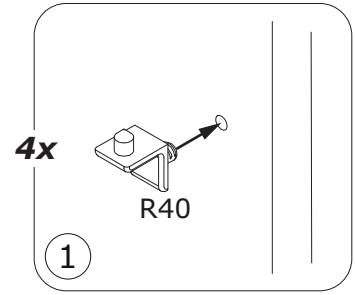
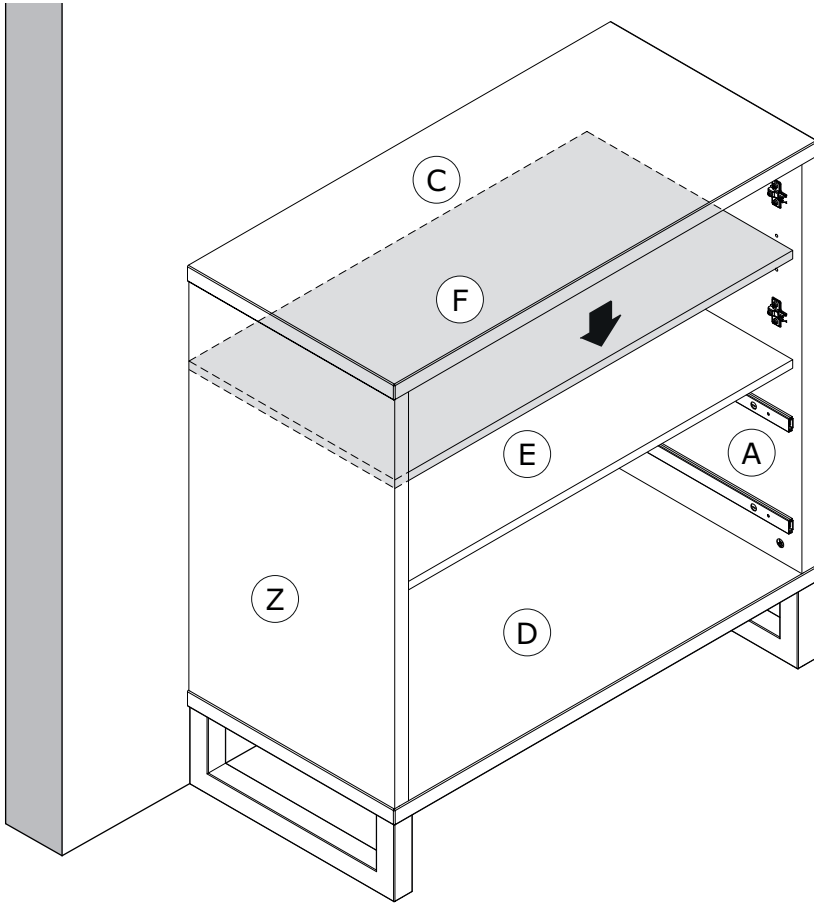
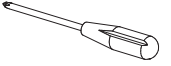


15

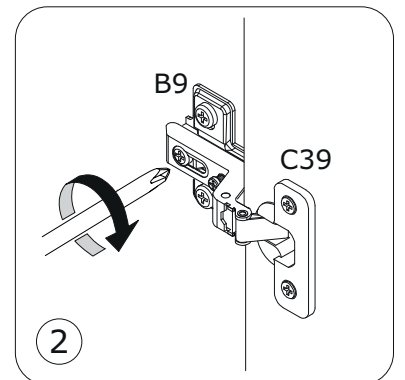
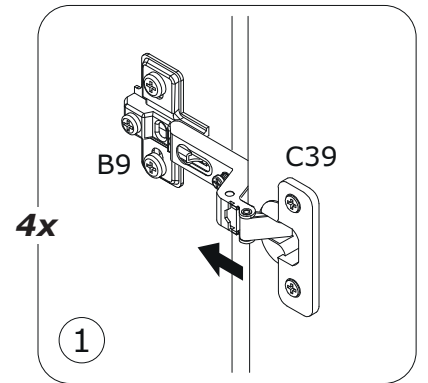
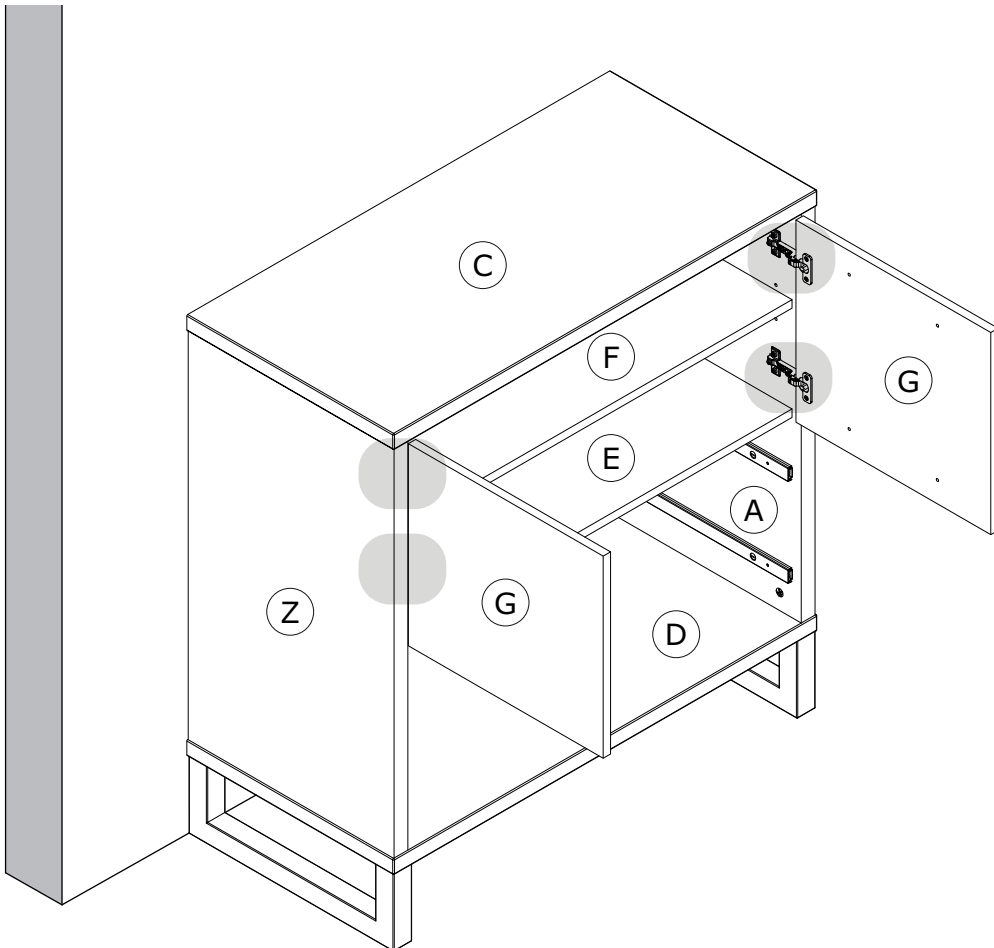
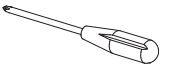


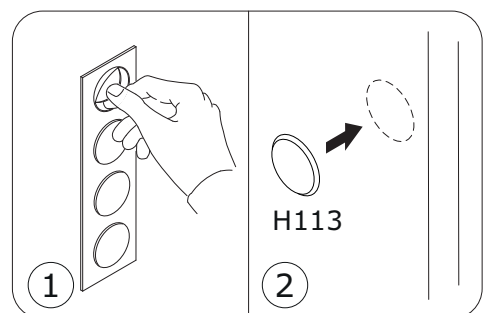
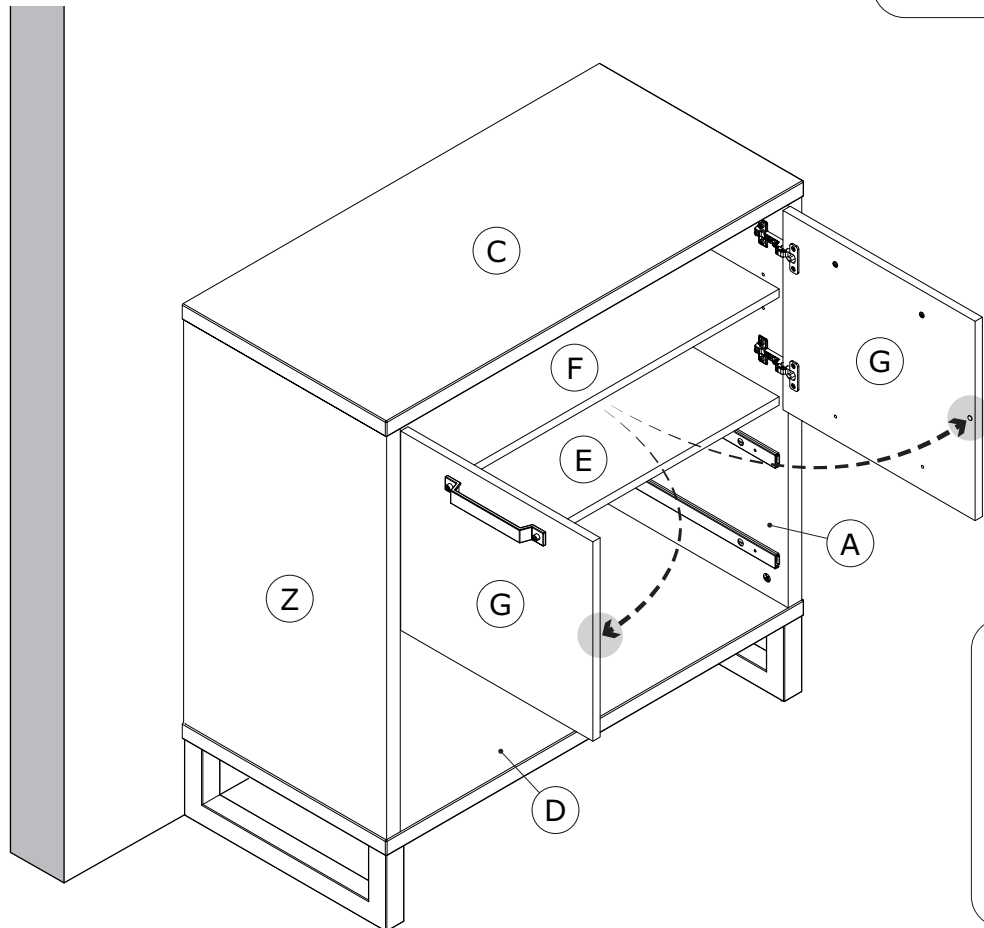
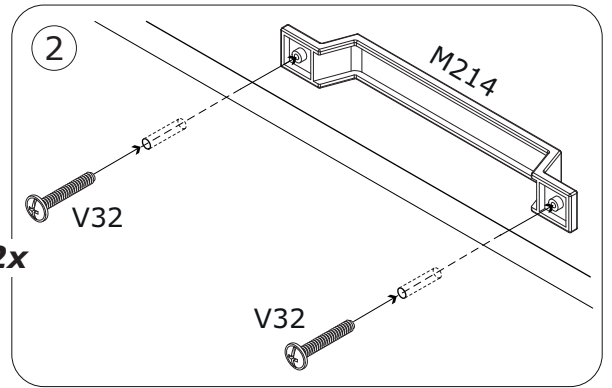
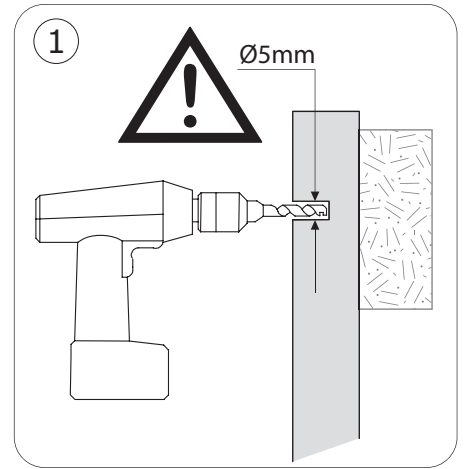
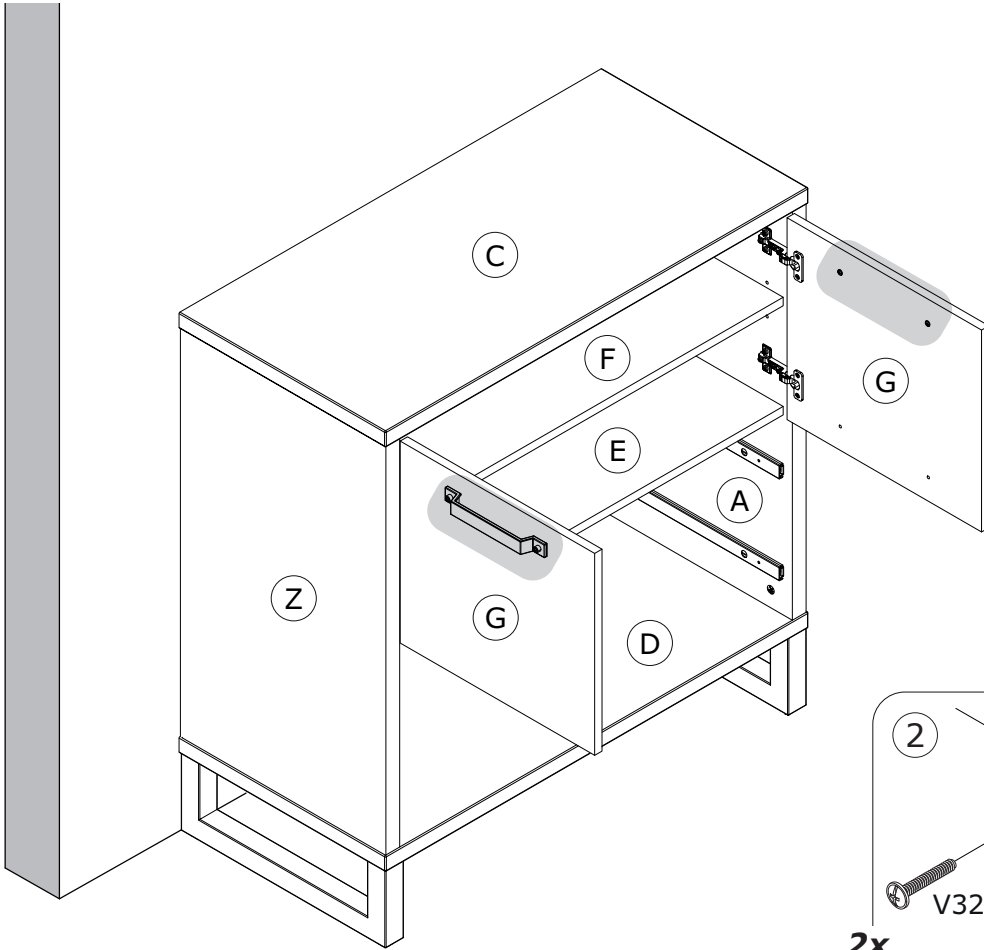
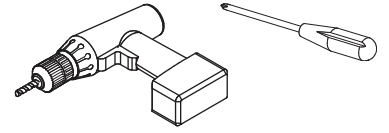


17

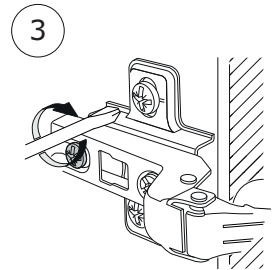
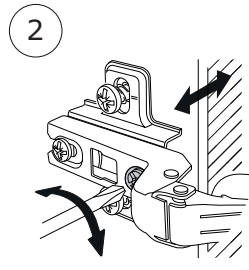
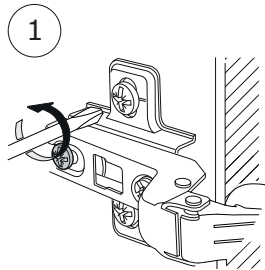
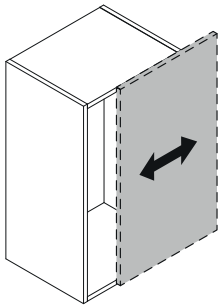
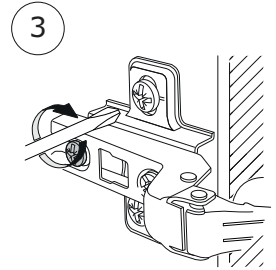
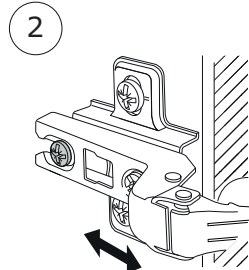
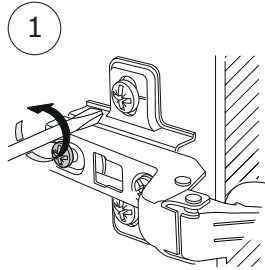
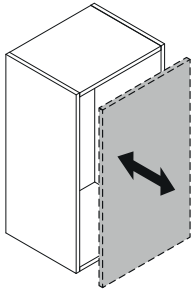
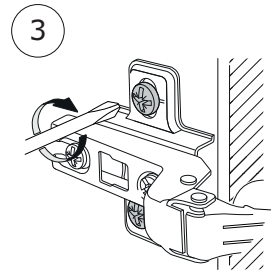
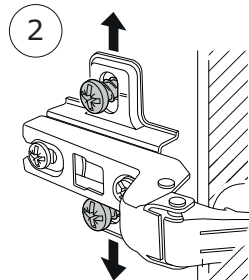
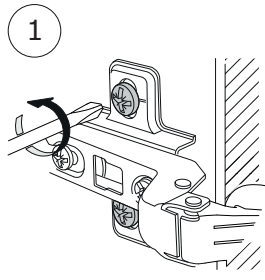
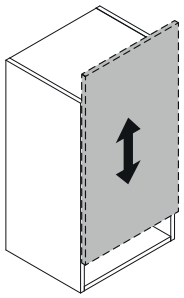
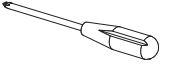


18

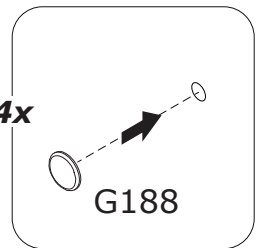
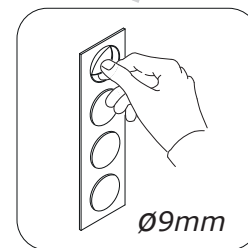
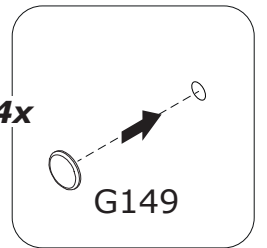
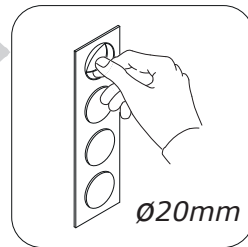
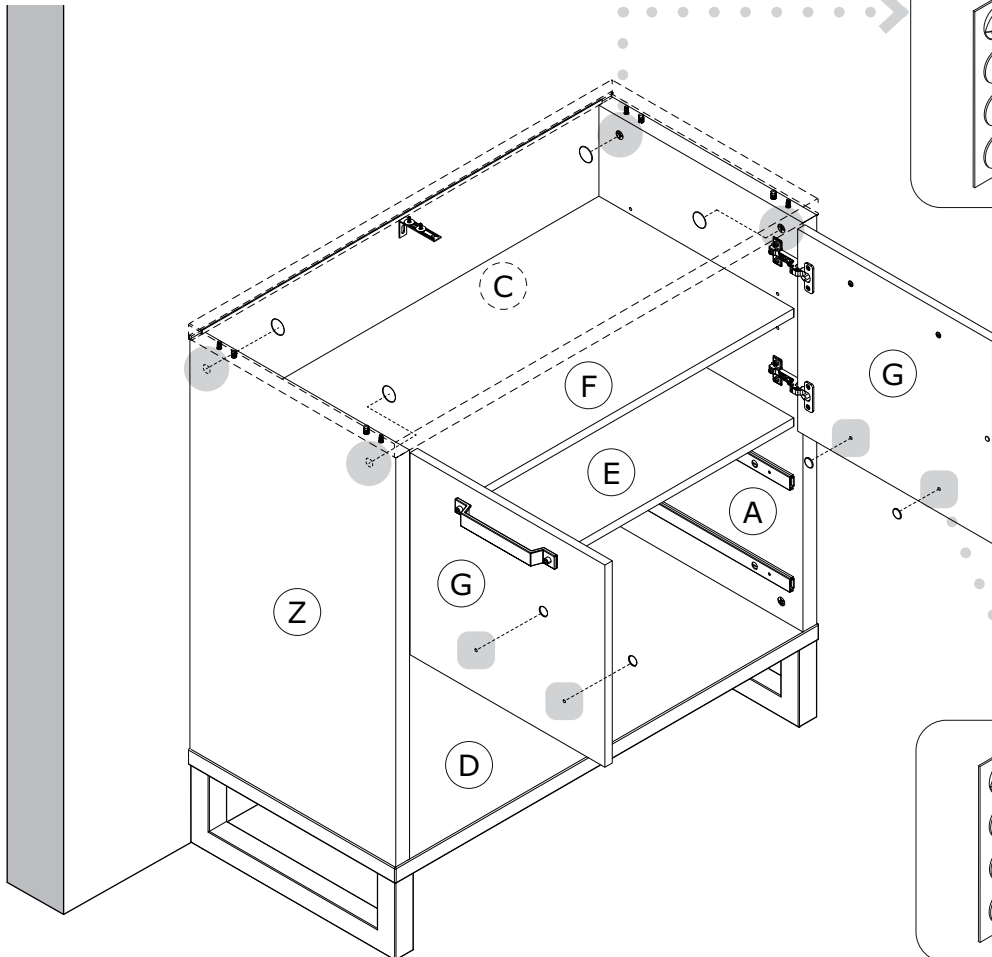




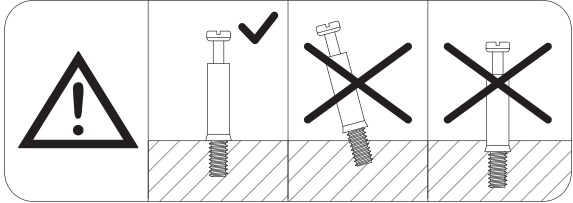
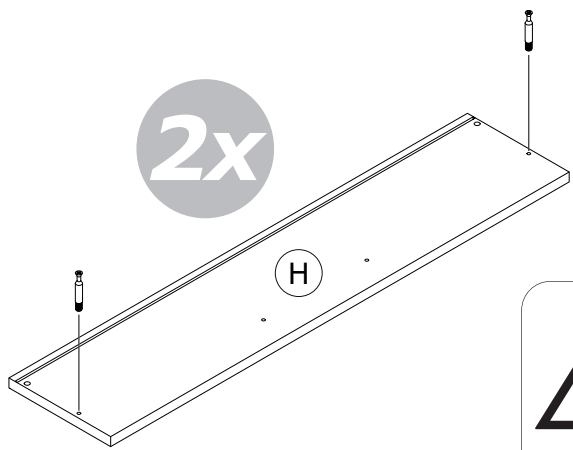
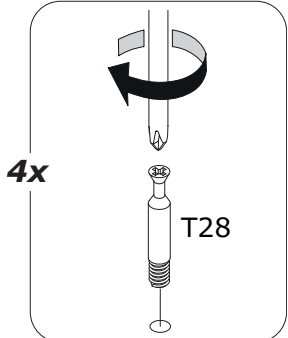
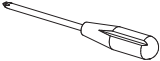
20



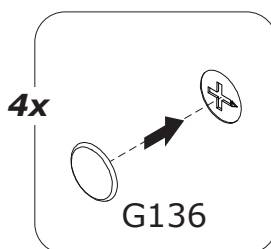
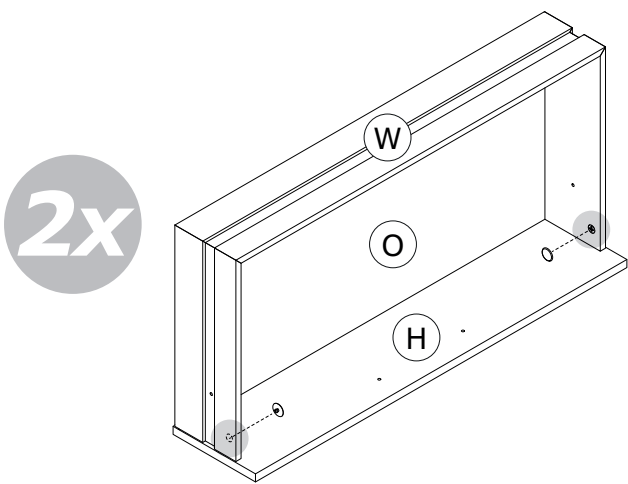
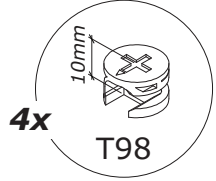
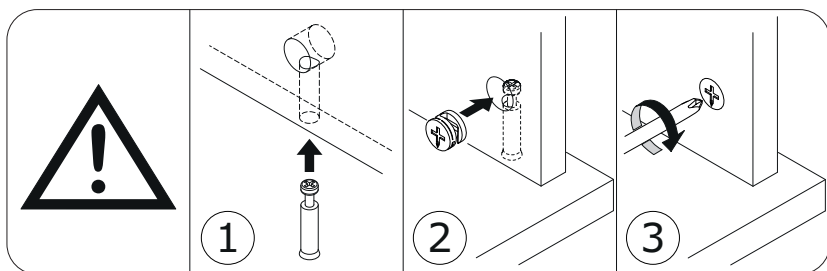
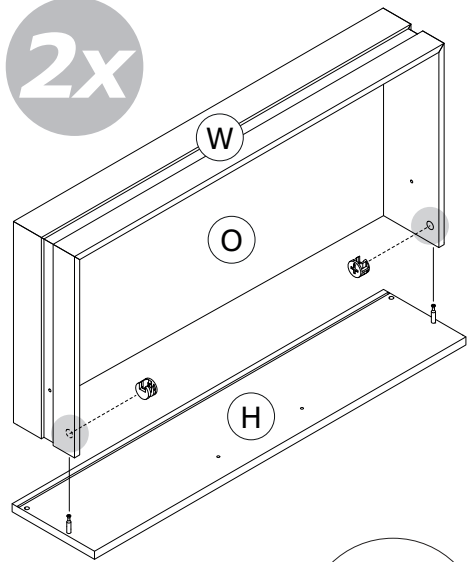
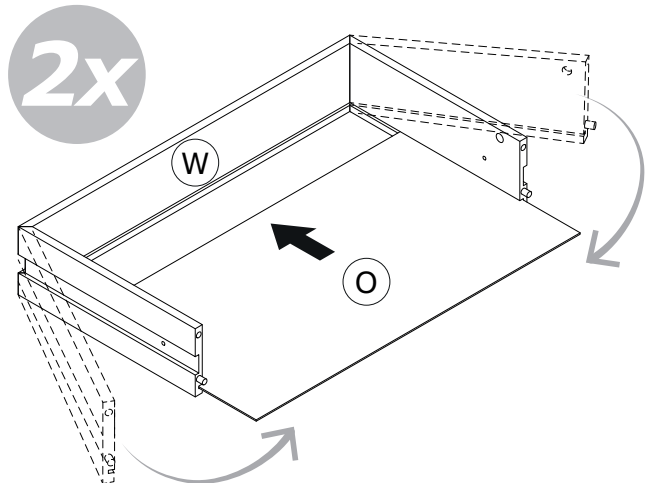
21



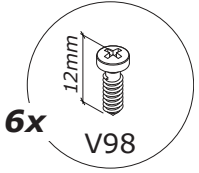
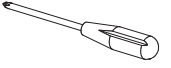
22



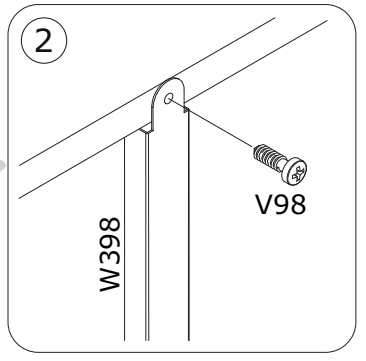
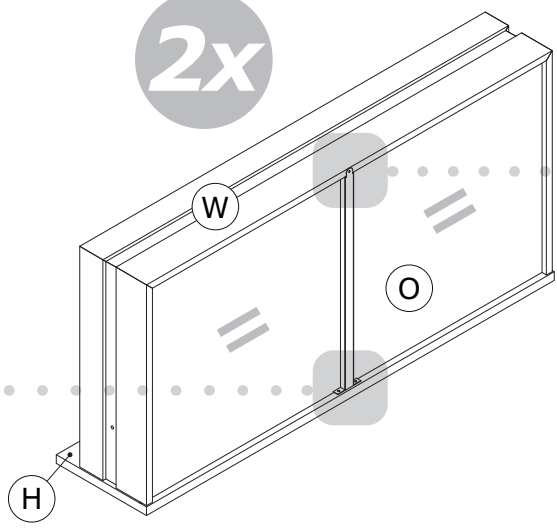
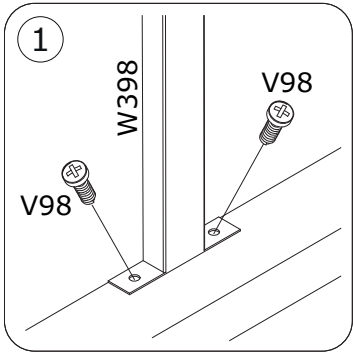
23



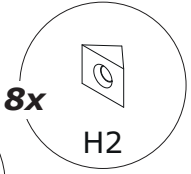
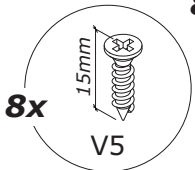
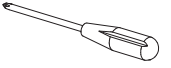
24



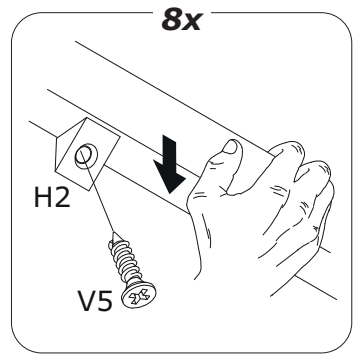
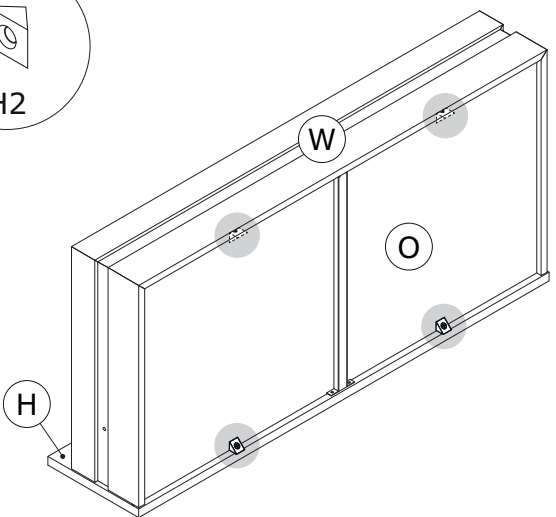
2x



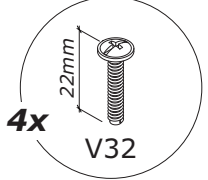
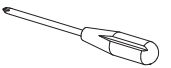
25



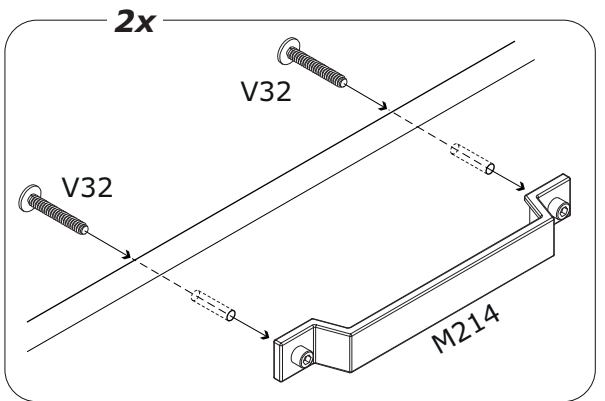
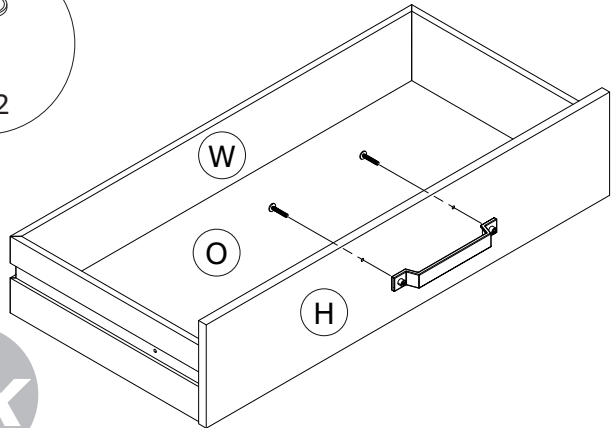
2x



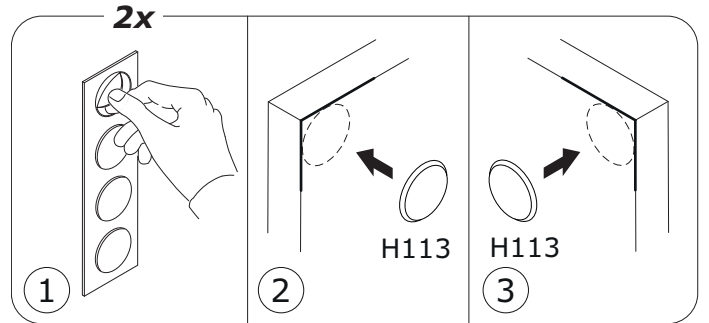
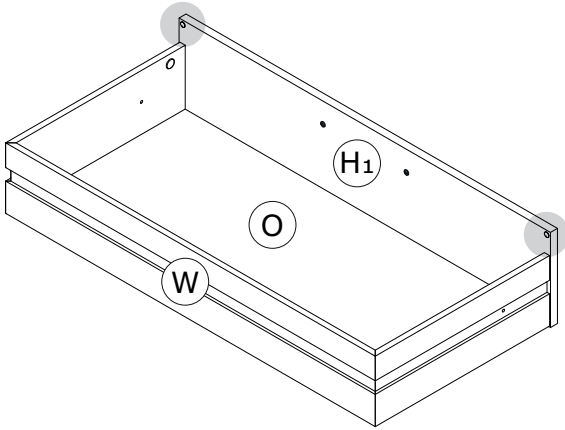
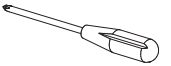
26



2x



27



28

