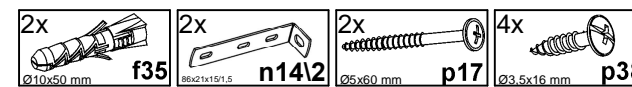
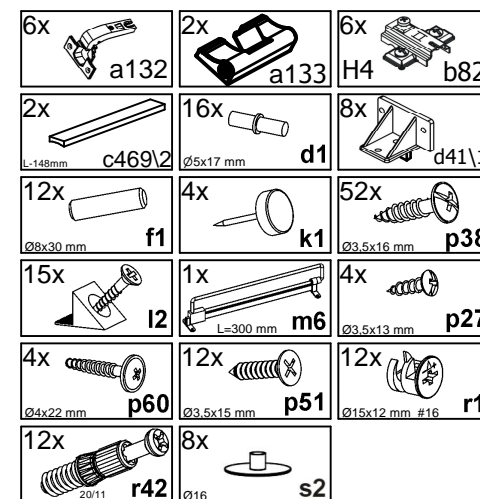
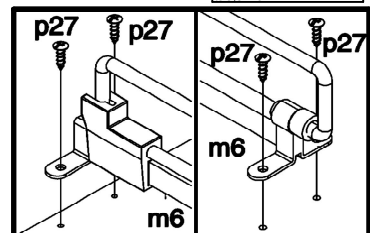
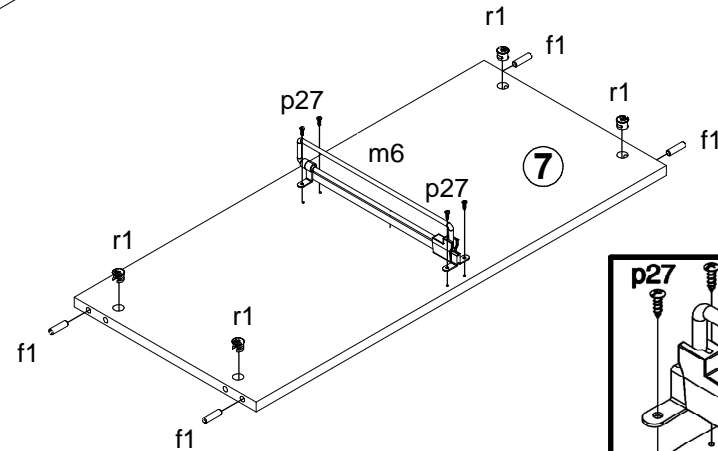
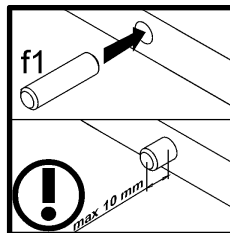
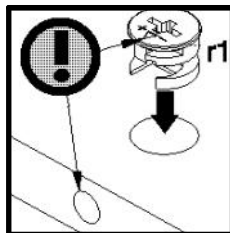
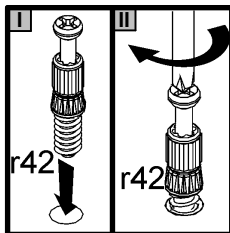
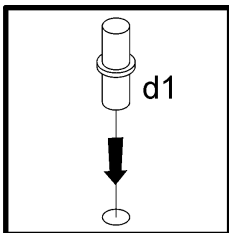
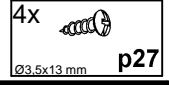
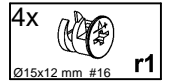
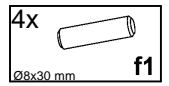
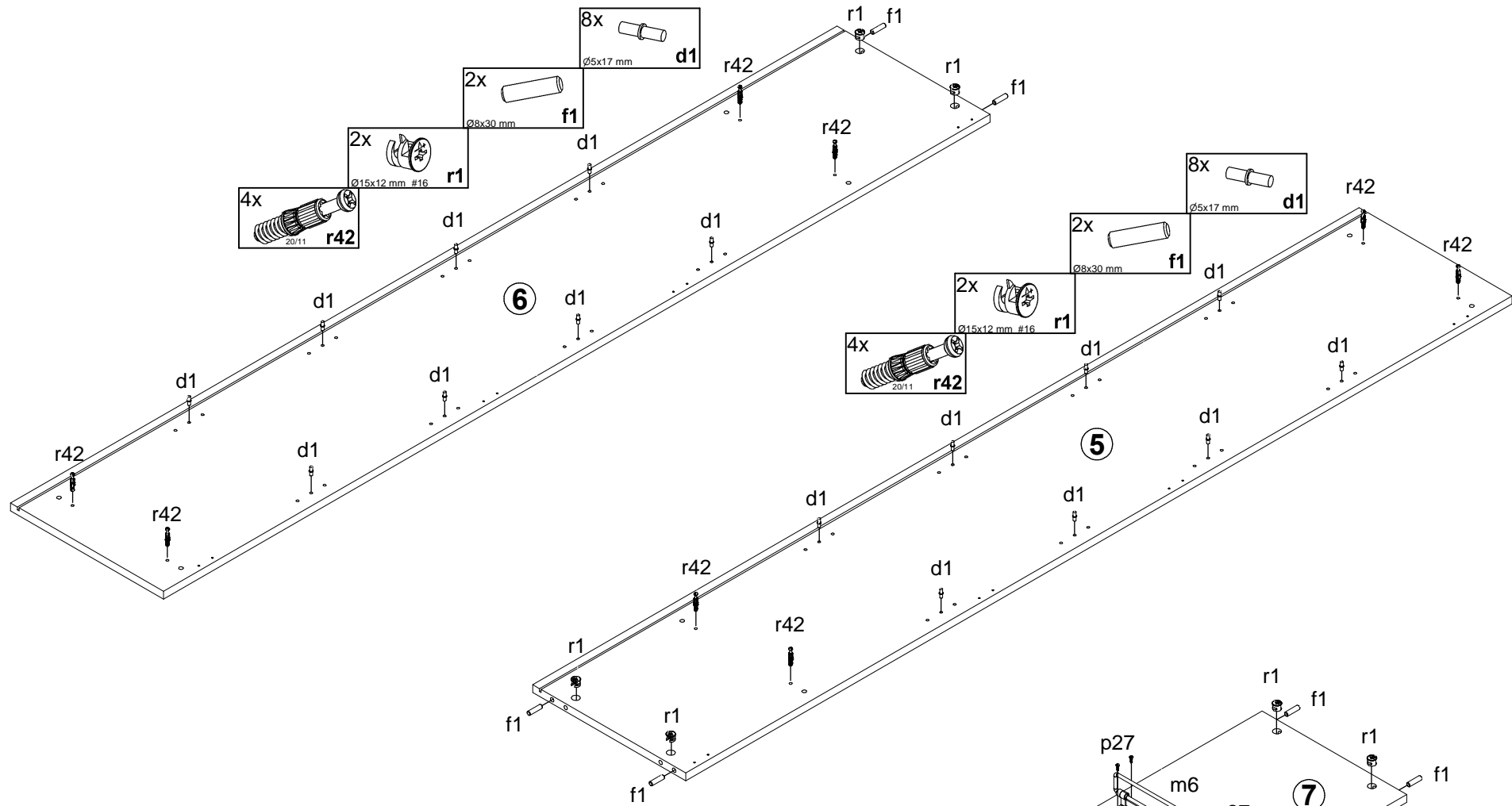
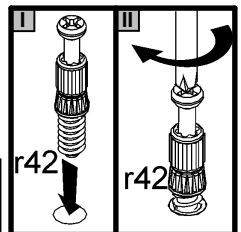
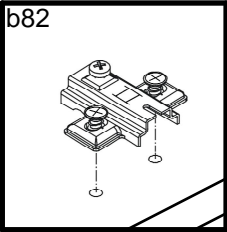
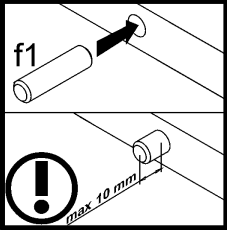
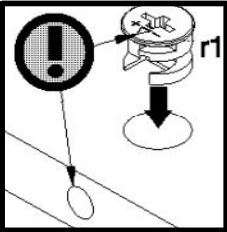
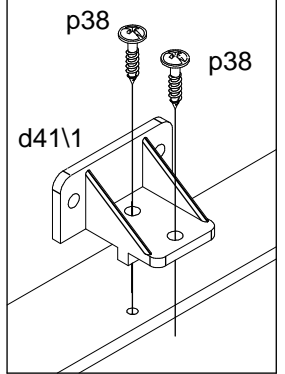
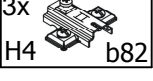
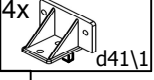
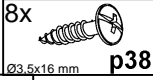
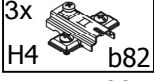
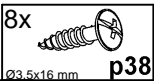
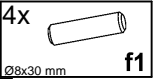
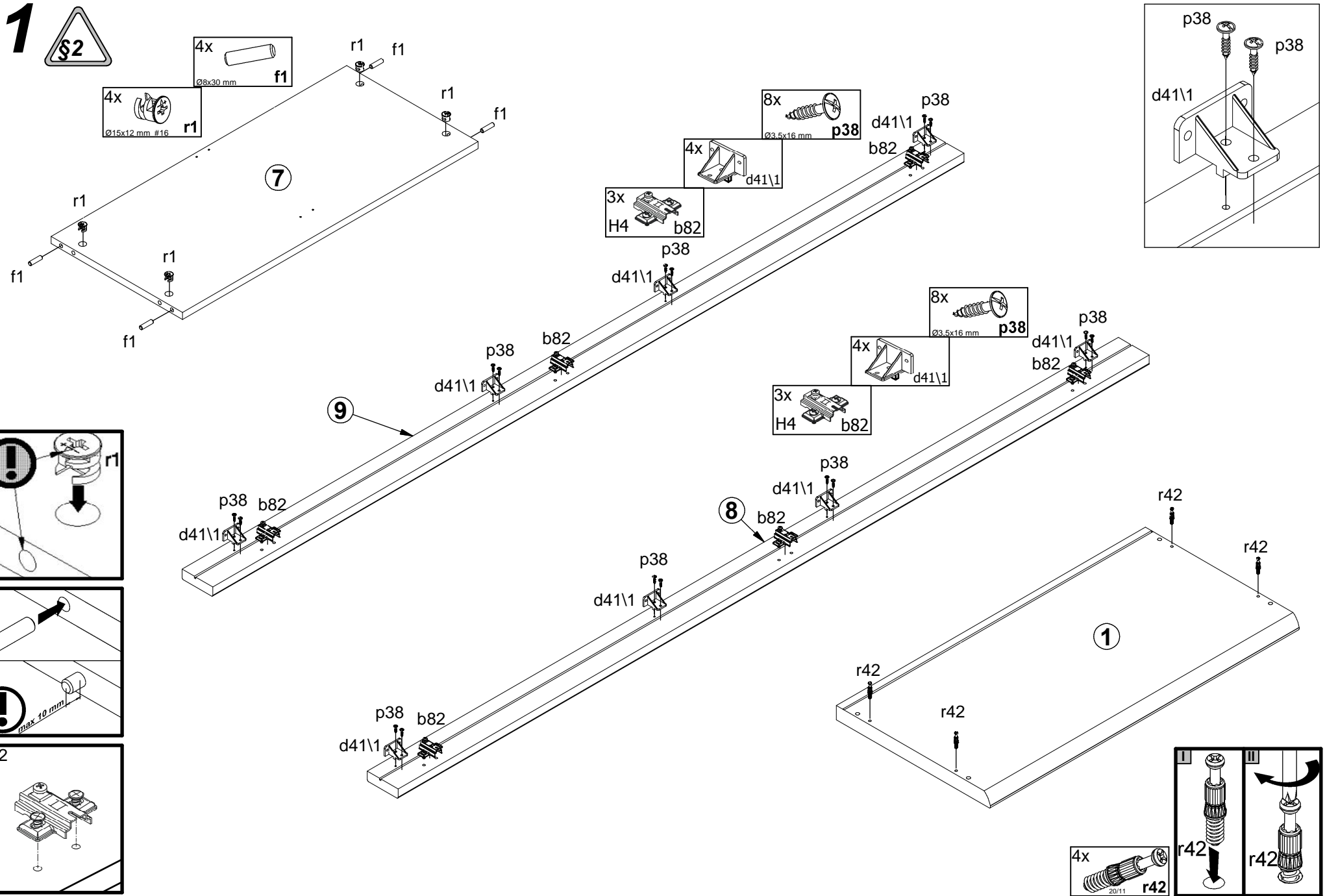
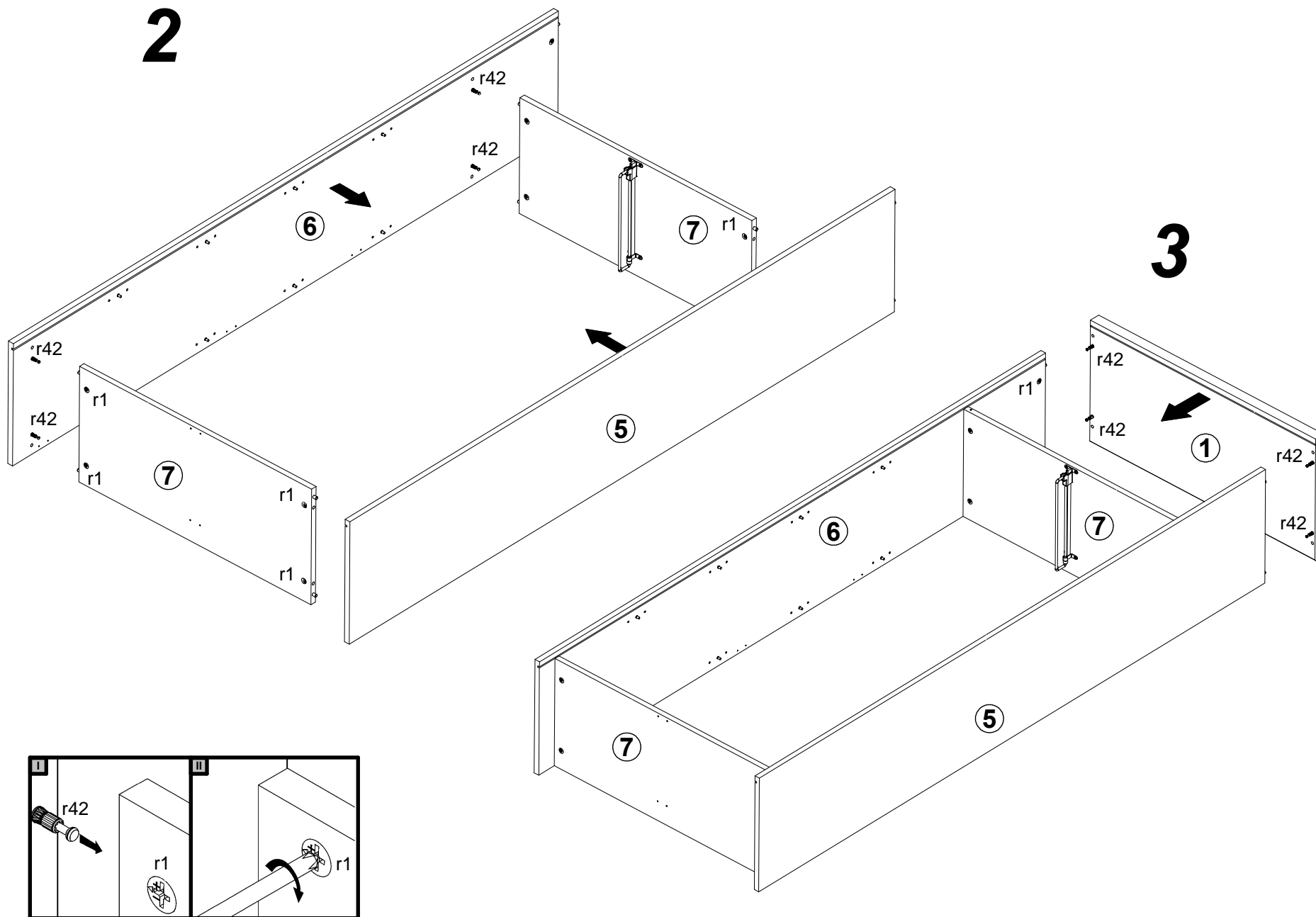


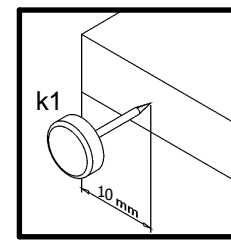
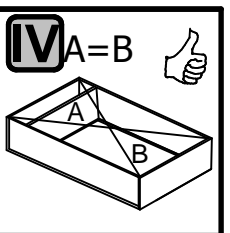
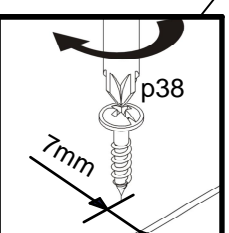
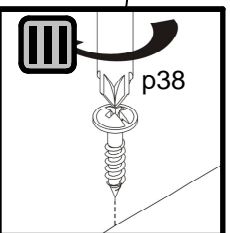
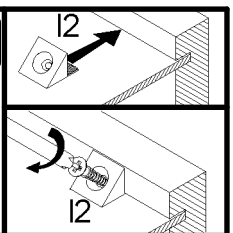
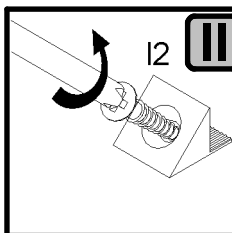
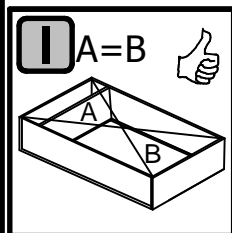
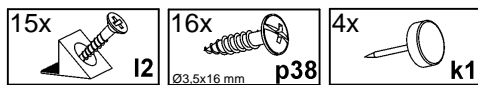
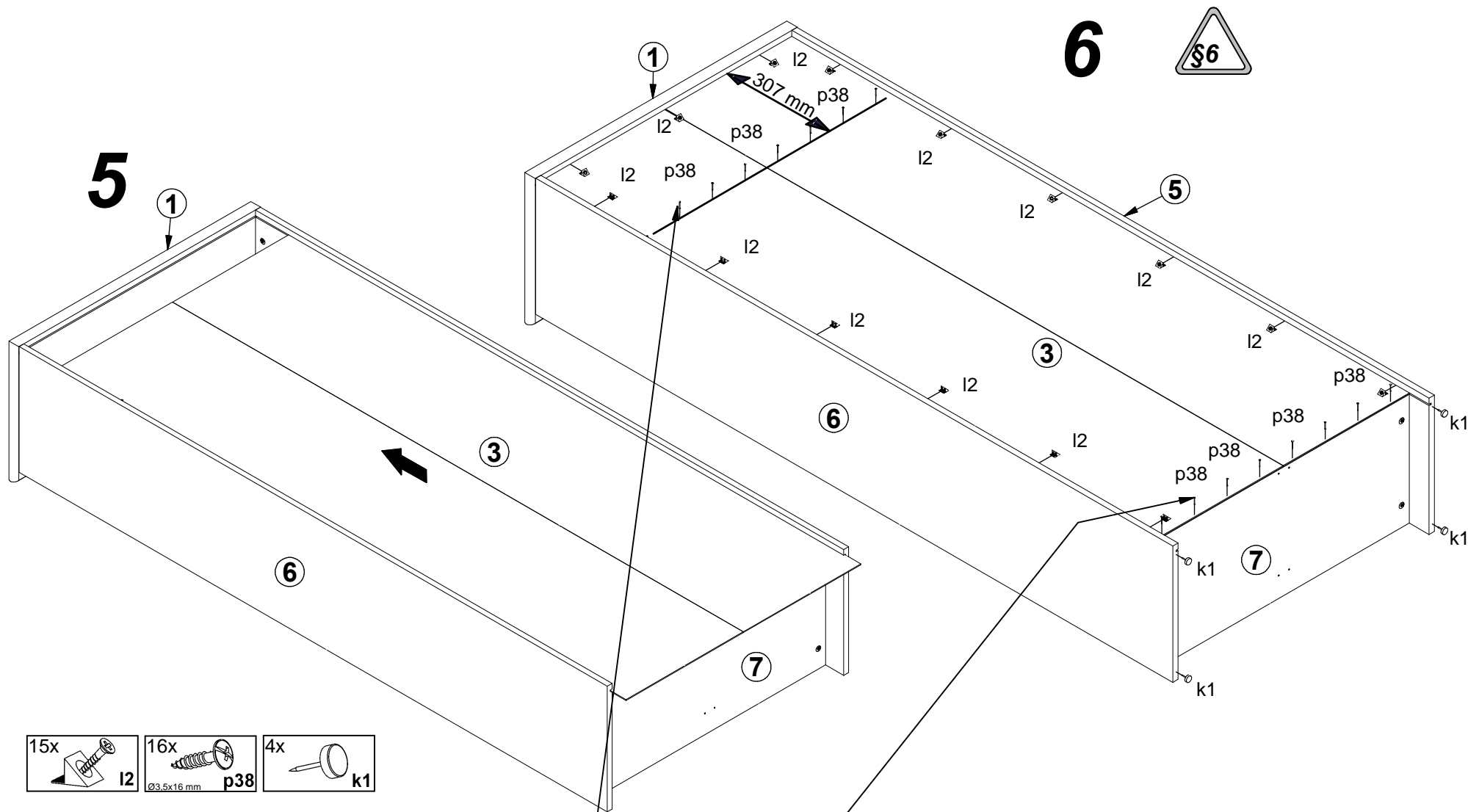
A	B	C1	C2	C3	D
1	M222-2006	802	400	32	1/3
2	M222-3019	767	334	16	1/3
3	M222-9305	1893	779	2,5	3/3
4	M238-0004	1884	316	16	3/3
5	M238-1008	1950	361	16	2/3
6	M238-1009	1950	361	16	2/3
7	M238-3004	768	341	16	1/3
8	M238-5007	1950	80	22	2/3
9	M238-5008	1950	80	22	2/3
10	M238-7301	218	218	12,	3/3
11	M238-7352	1884	316	16	3/3

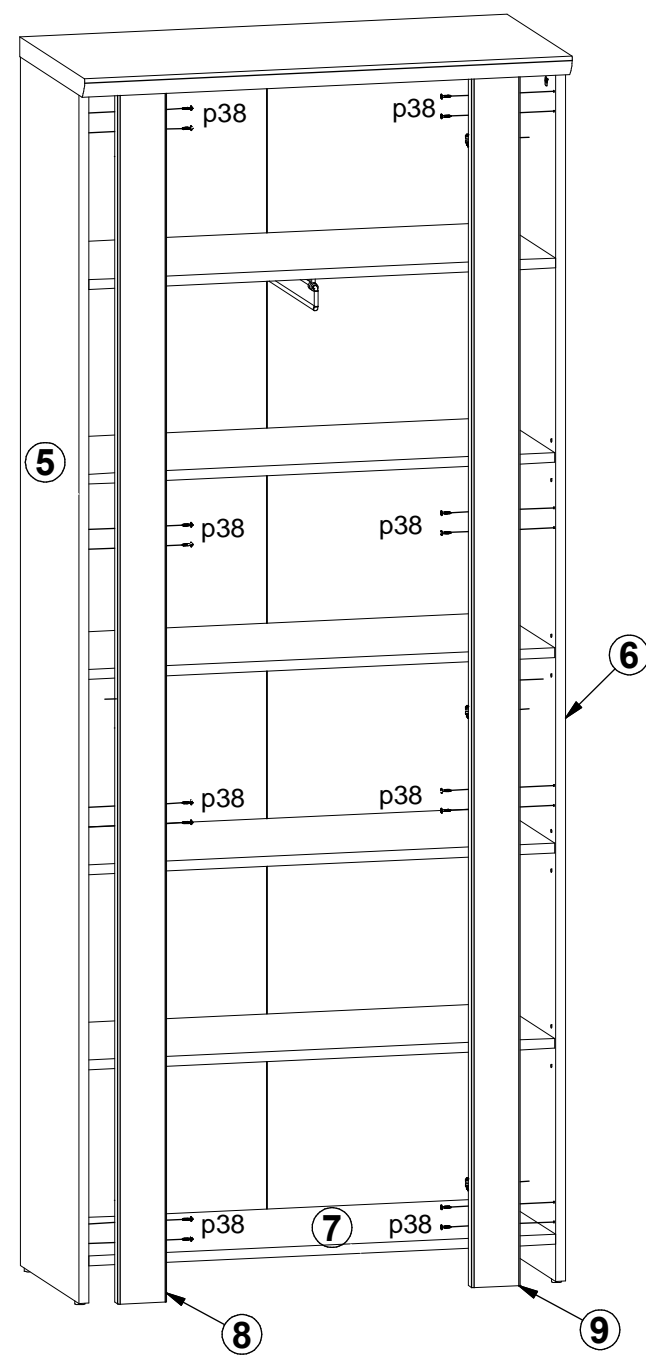
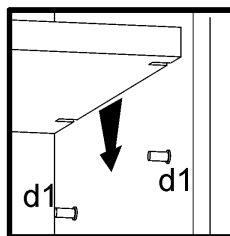
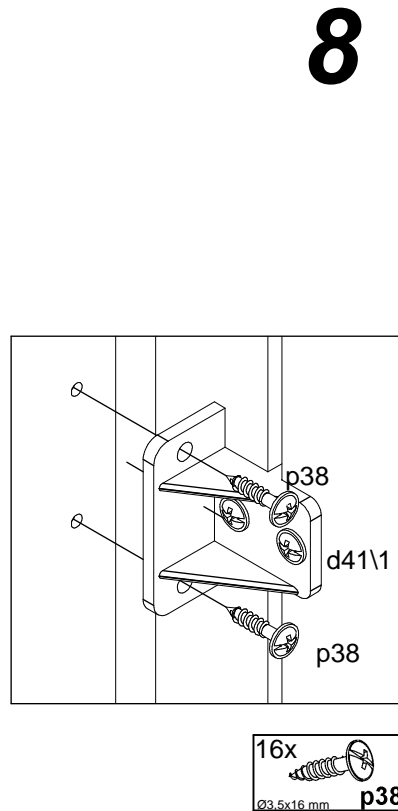
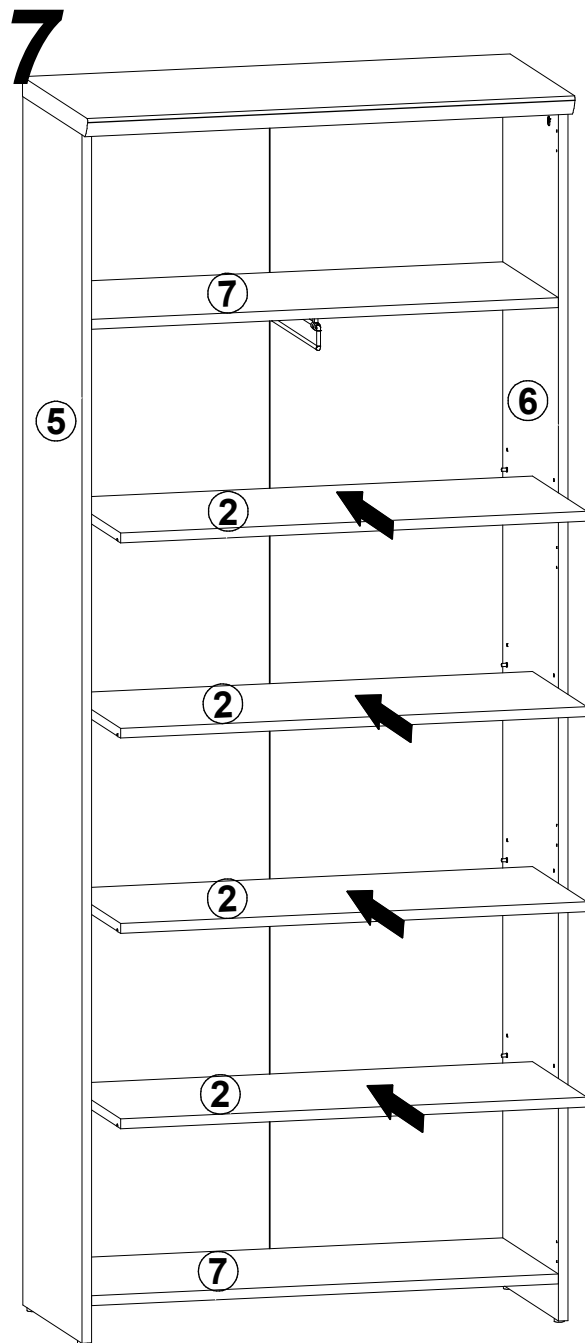


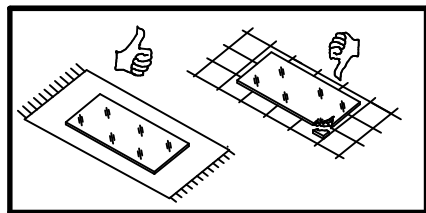
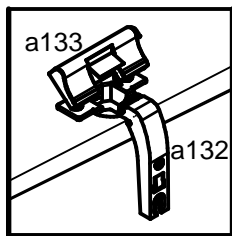
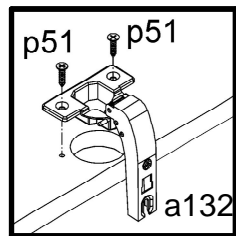






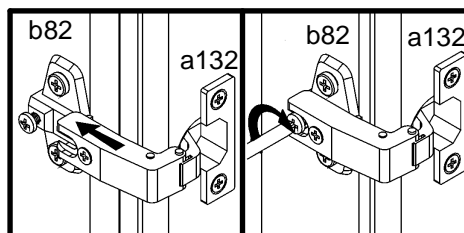
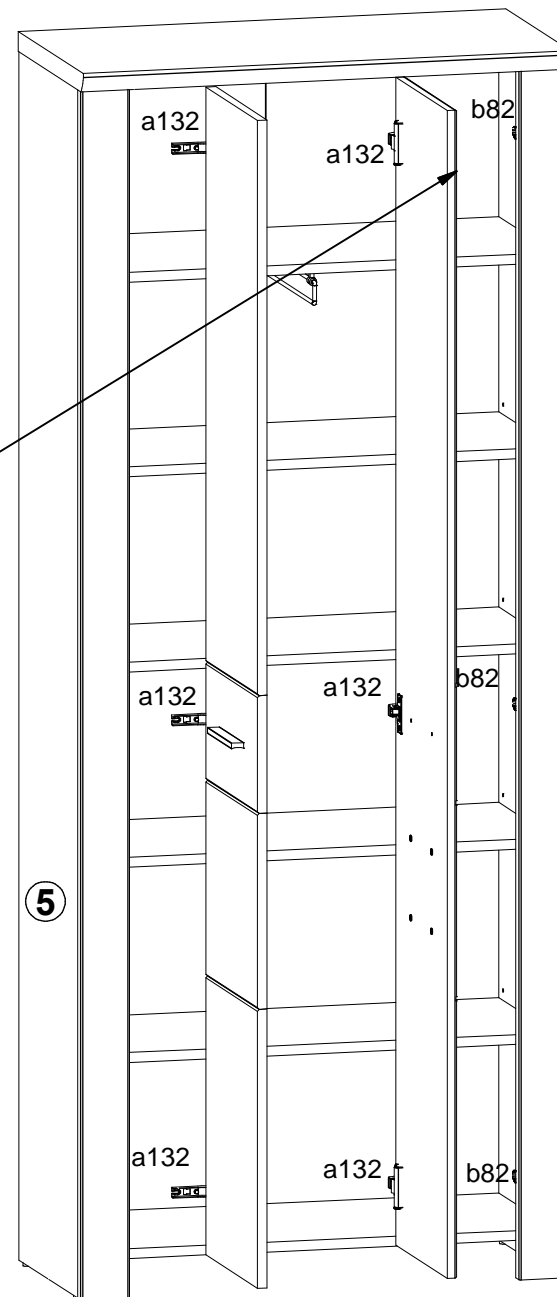
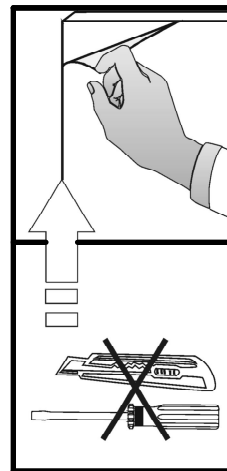
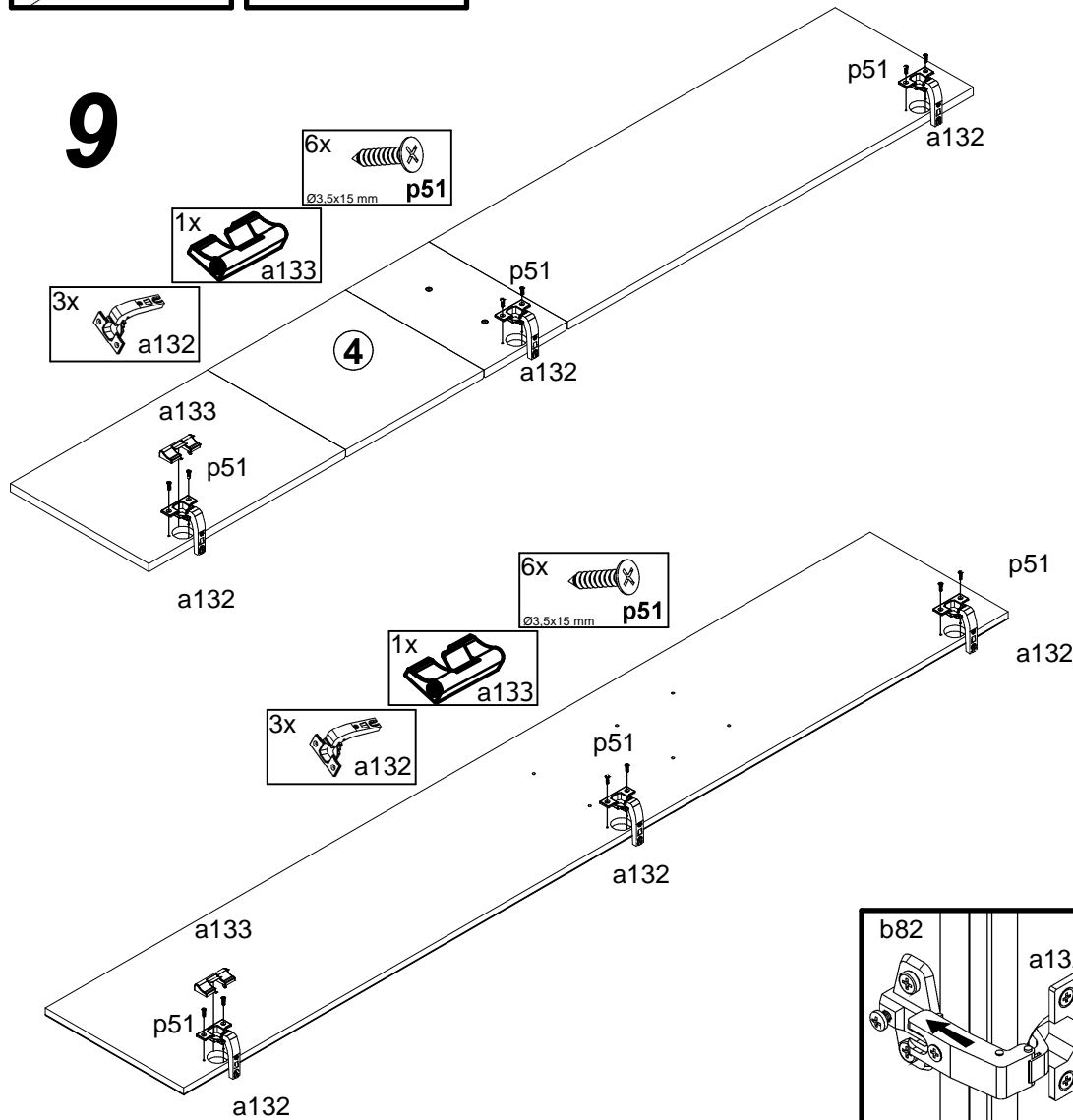




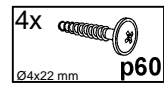
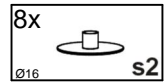
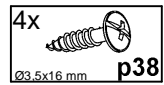
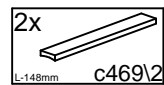


10

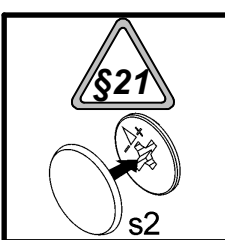
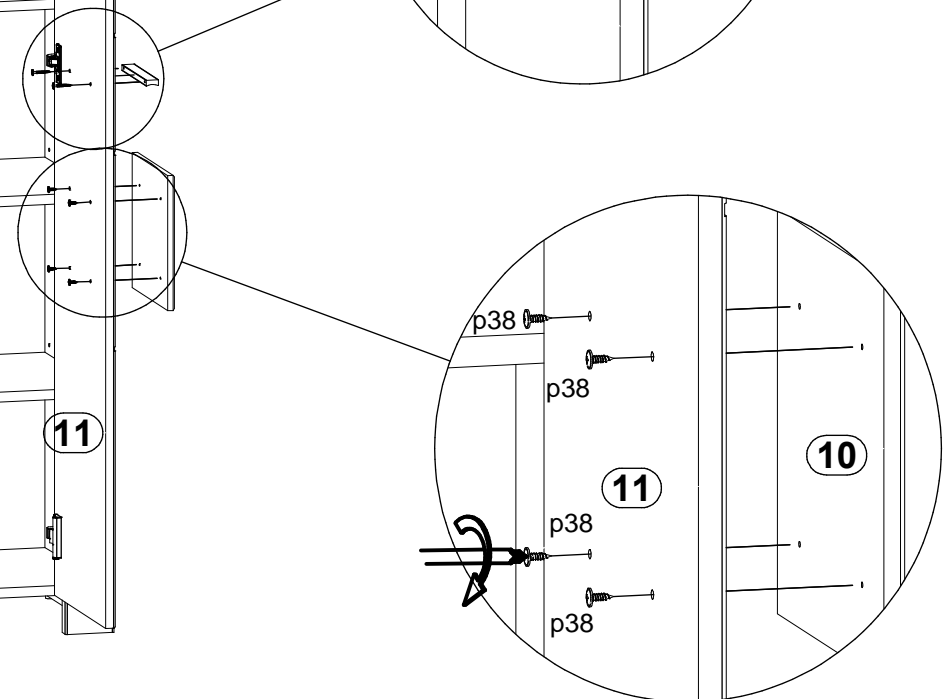
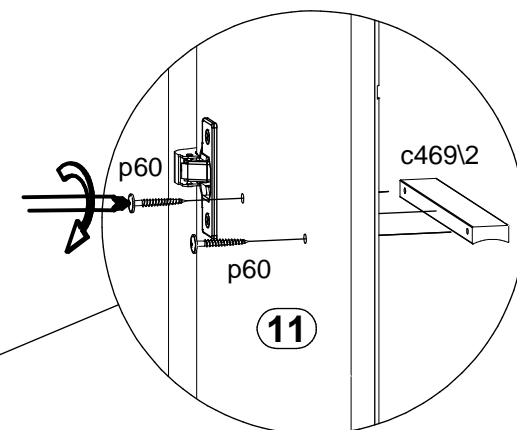
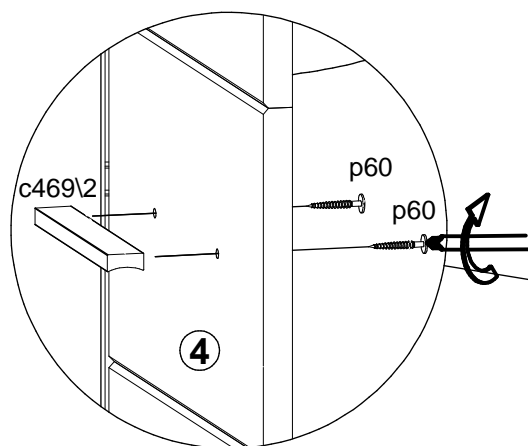
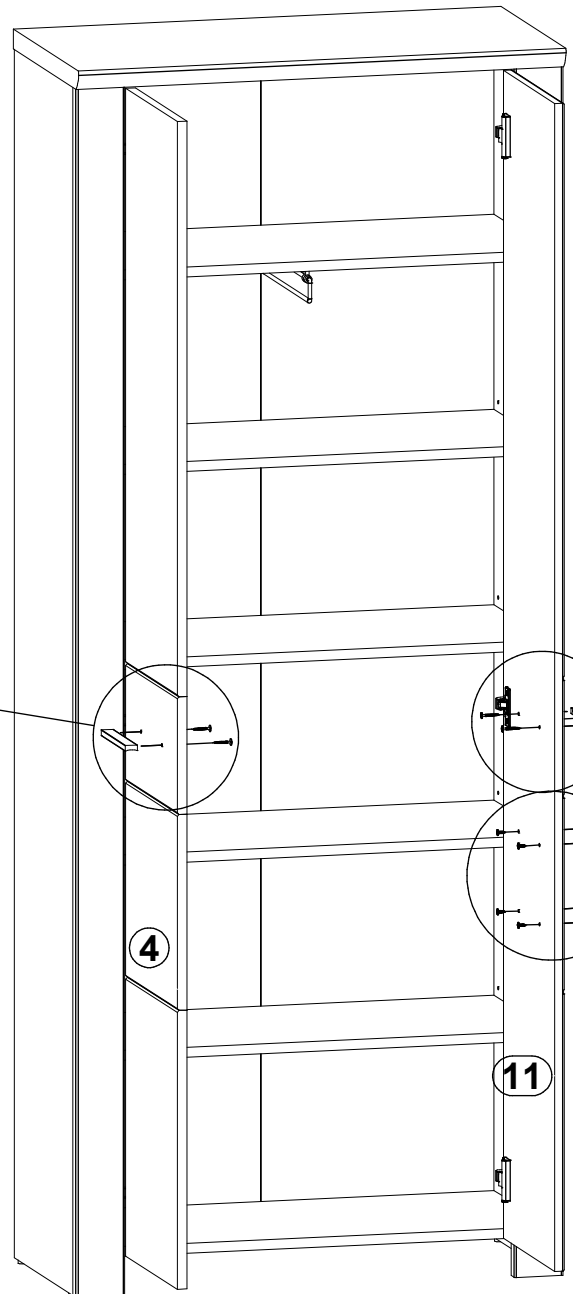
9







11



# 12

