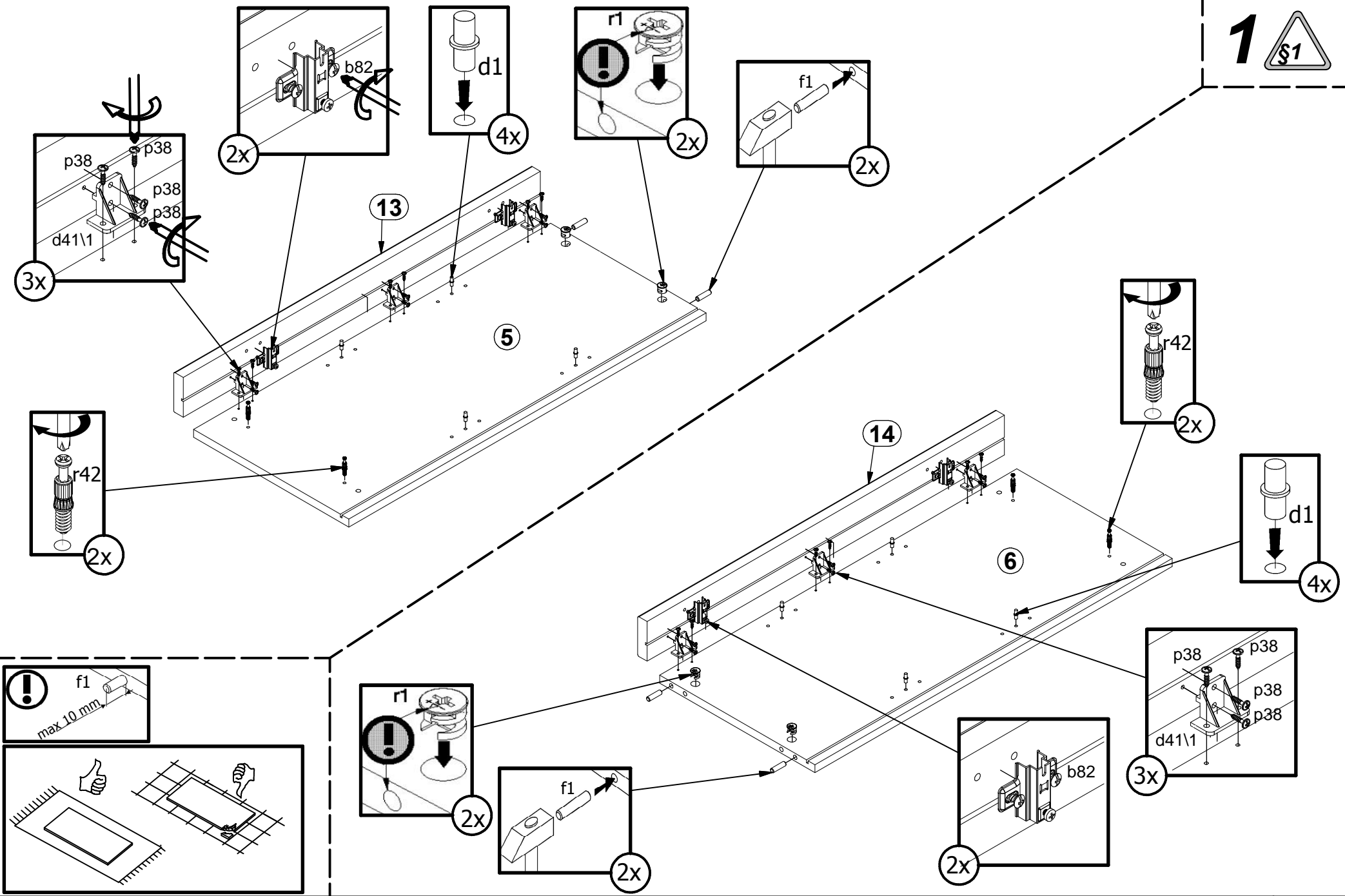


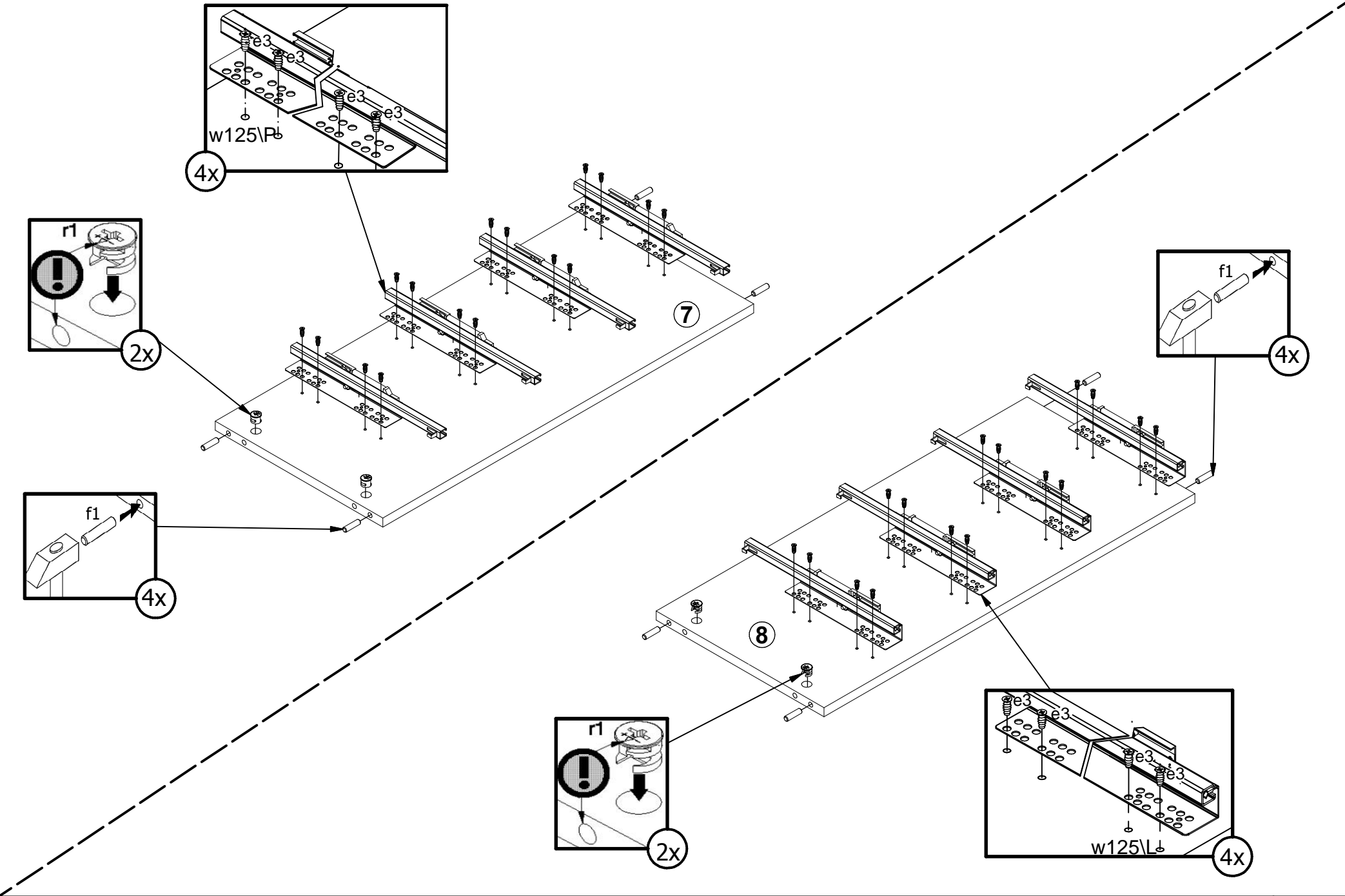
A	B	C1	C2	C3	D
1	M238-5001	60	80	22	3/3
2	M238-7301	218	218	12,	1/3
3	S517-0002	414,	188	16	3/3
4	S517-0006	764	414	16	3/3
5	S517-1004	830	361	16	1/3
6	S517-1005	830	361	16	1/3
7	S517-1007	754	341	16	1/3
8	S517-1008	754	341	16	1/3
9	S517-2003	1636	400	32	2/3
10	S517-3002	792	334	16	1/3
11	S517-3003	375	334	16	1/3
12	S517-3005	1602	341	16	2/3
13	S517-5003	830	80	22	1/3
14	S517-5004	830	80	22	1/3
15	S517-7352	764	316	16	3/3
16	S517-9303	1612	773,	2,5	2/3
17	WSP-9336	371	308	2,5	1/3
18	ZQ6-509	300	140	12	2/3
19	ZQ6-510	300	140	12	2/3
20	ZQ6-5126	361	127	15	2/3

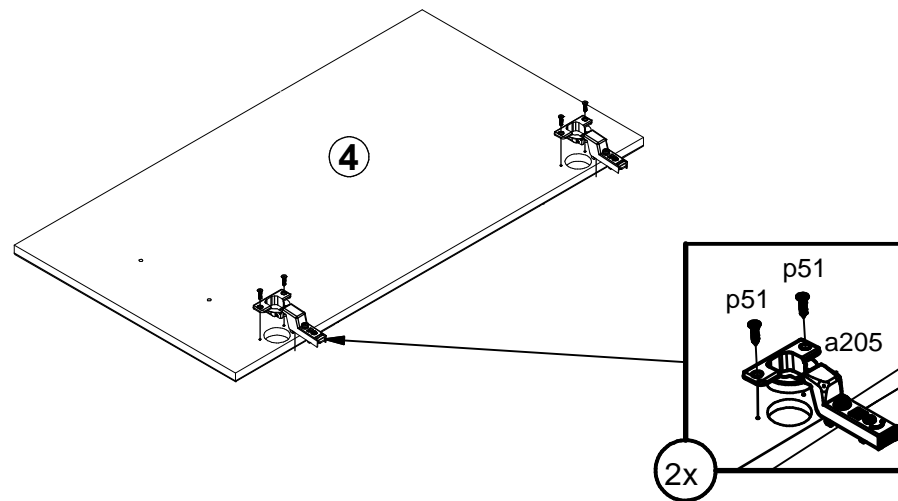
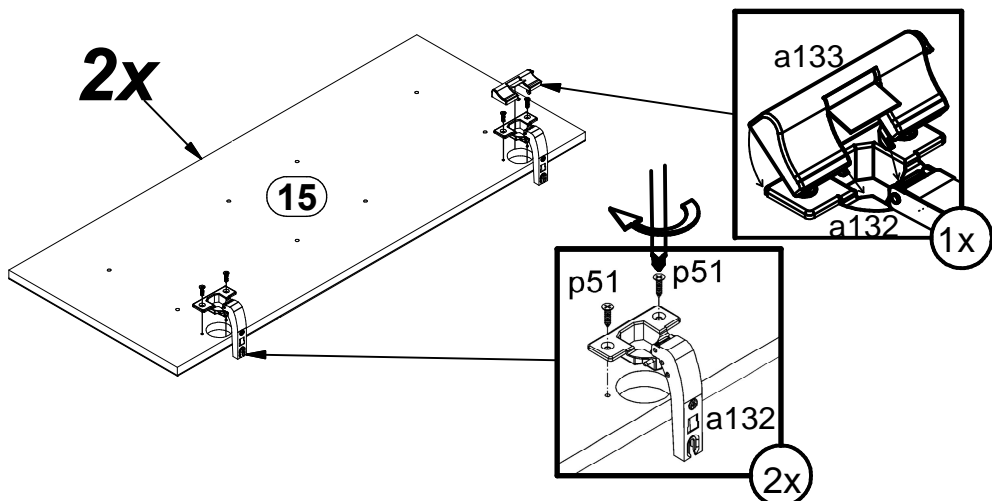
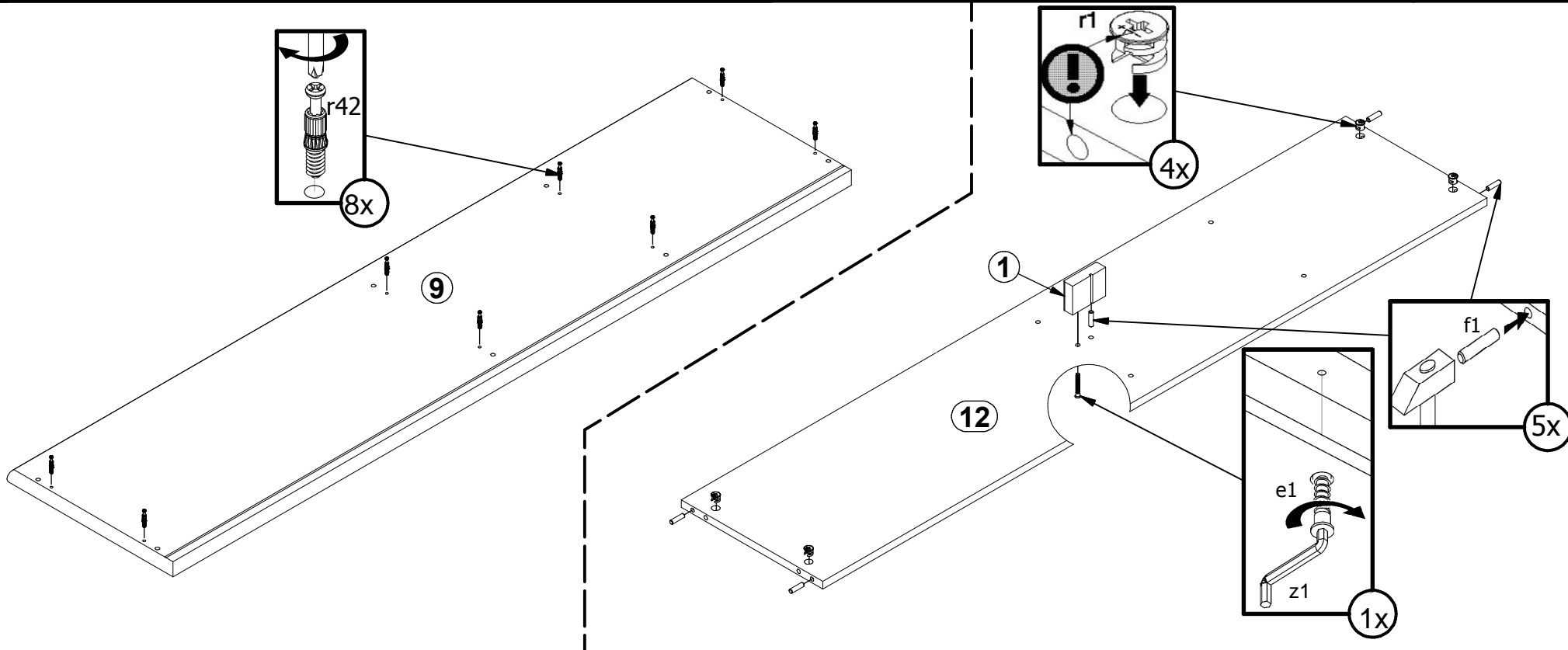
4x a132	2x a133	2x a205	4x H4 b82
2x b90	7x c469/2 L-148mm	16x d1 Ø5x17 mm	6x d41/1
5x e1 Ø7x50 mm	32x e3 Ø6x13 mm	17x f1 Ø8x30 mm	16x f25 Ø6.5x40 mm
5x k1	8x l2 Ø3.5x16 mm	70x p38 Ø3.5x16 mm	12x p51 Ø3.5x15 mm
8x p55 Ø2.9x16 mm	14x p60 Ø4x22 mm	12x r1 Ø15x12 mm #16	16x r15 Ø12x10.5 mm #12
28x r42 20/11	4x w125L 300mm	4x w125P 300mm	1x z1
1x s73	4x s2 Ø16		

4x p38 Ø3.5x16 mm	2x p17 Ø5x60 mm
2x n14/2 88x21x15/1.5	2x f35 Ø10x50 mm

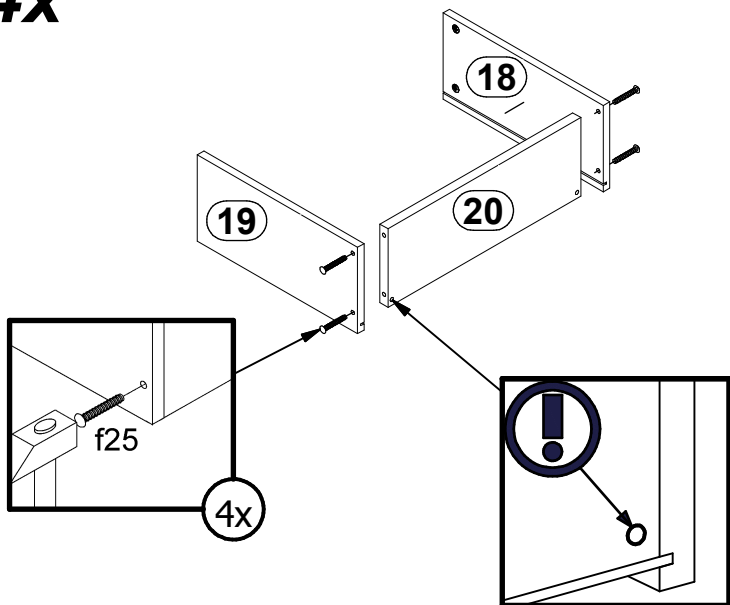




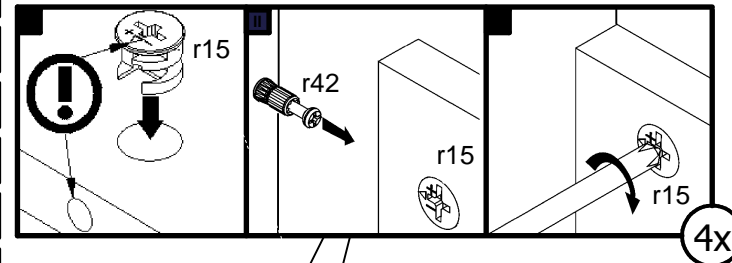
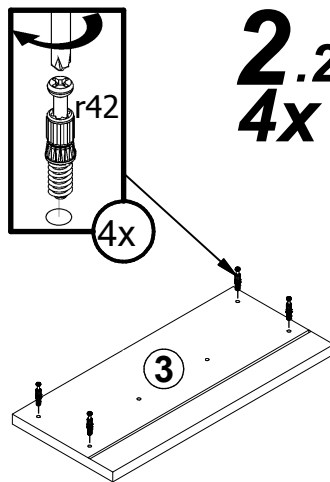




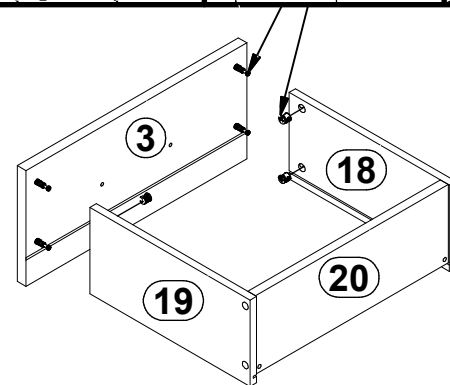
2.1
4x



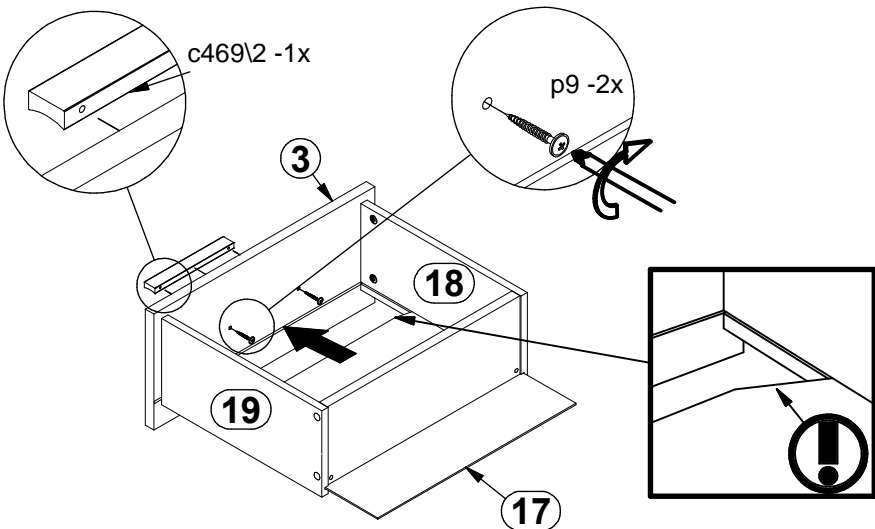
2.2
4x



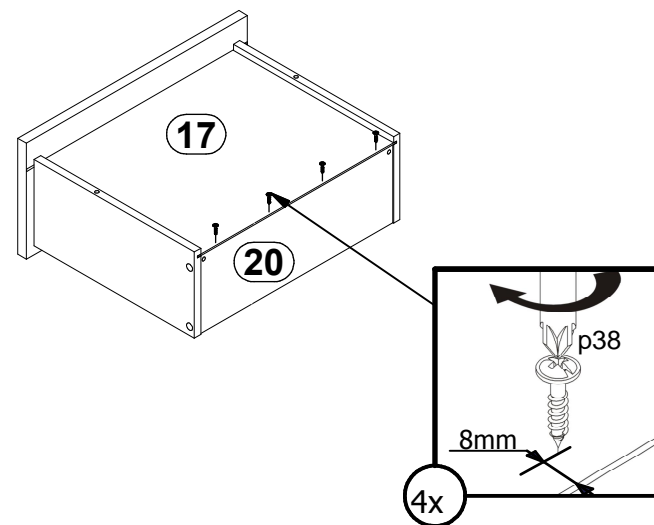
2.3
4x



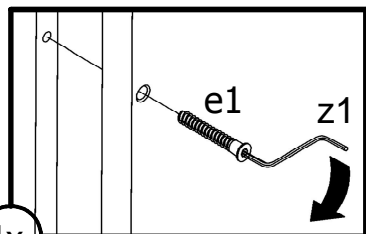
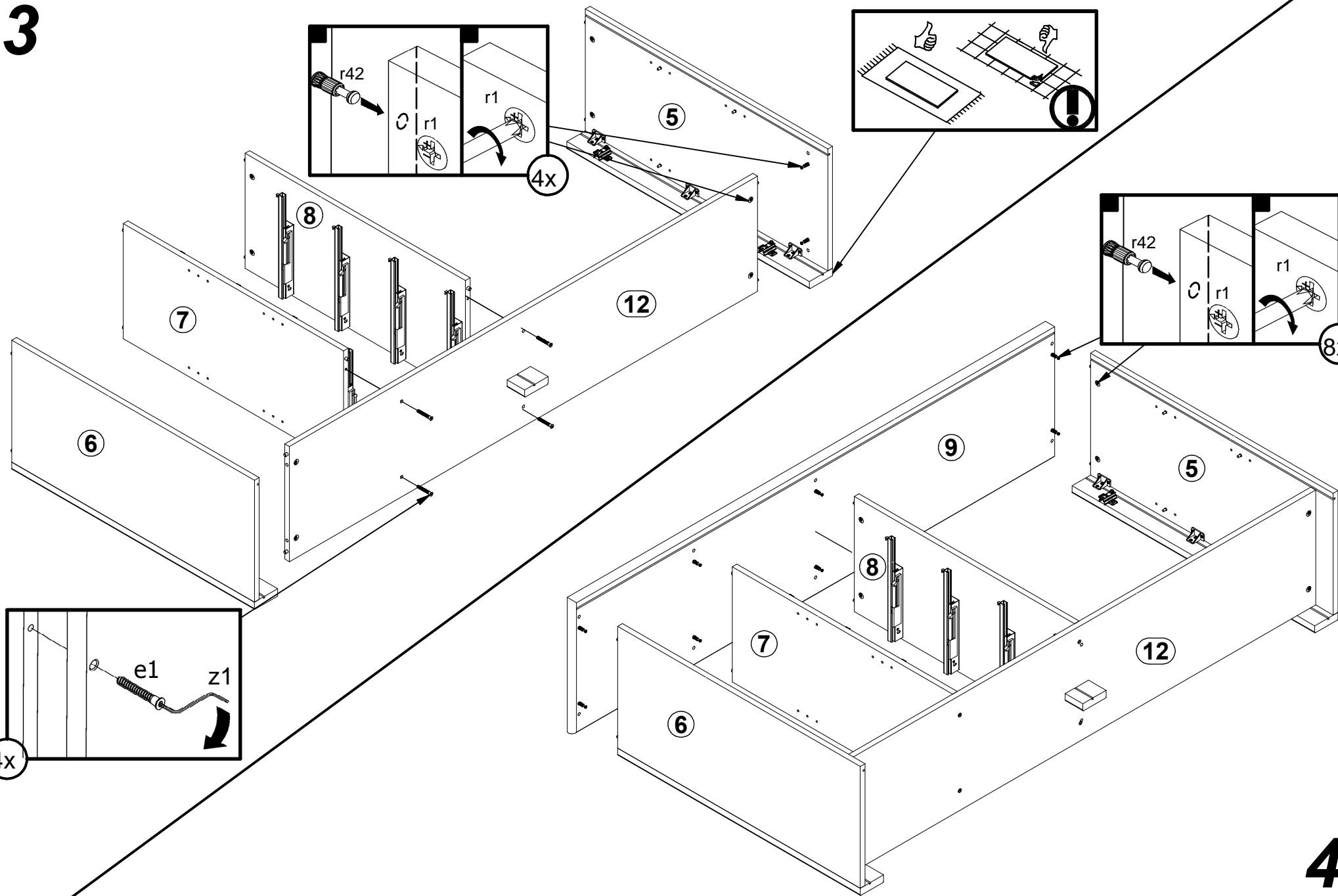
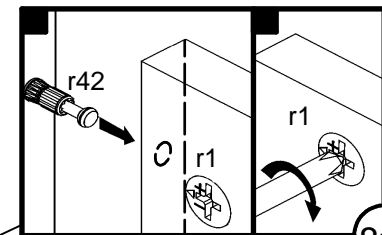
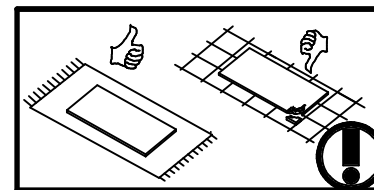
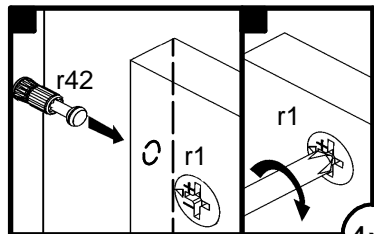
2.4
4x



2.5
4x

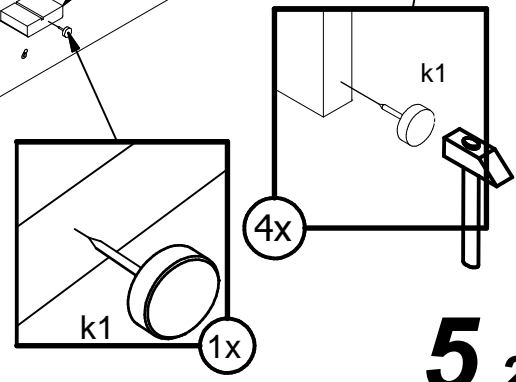
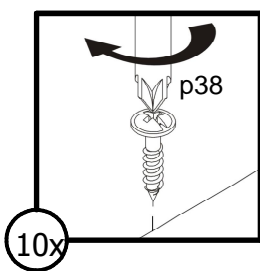
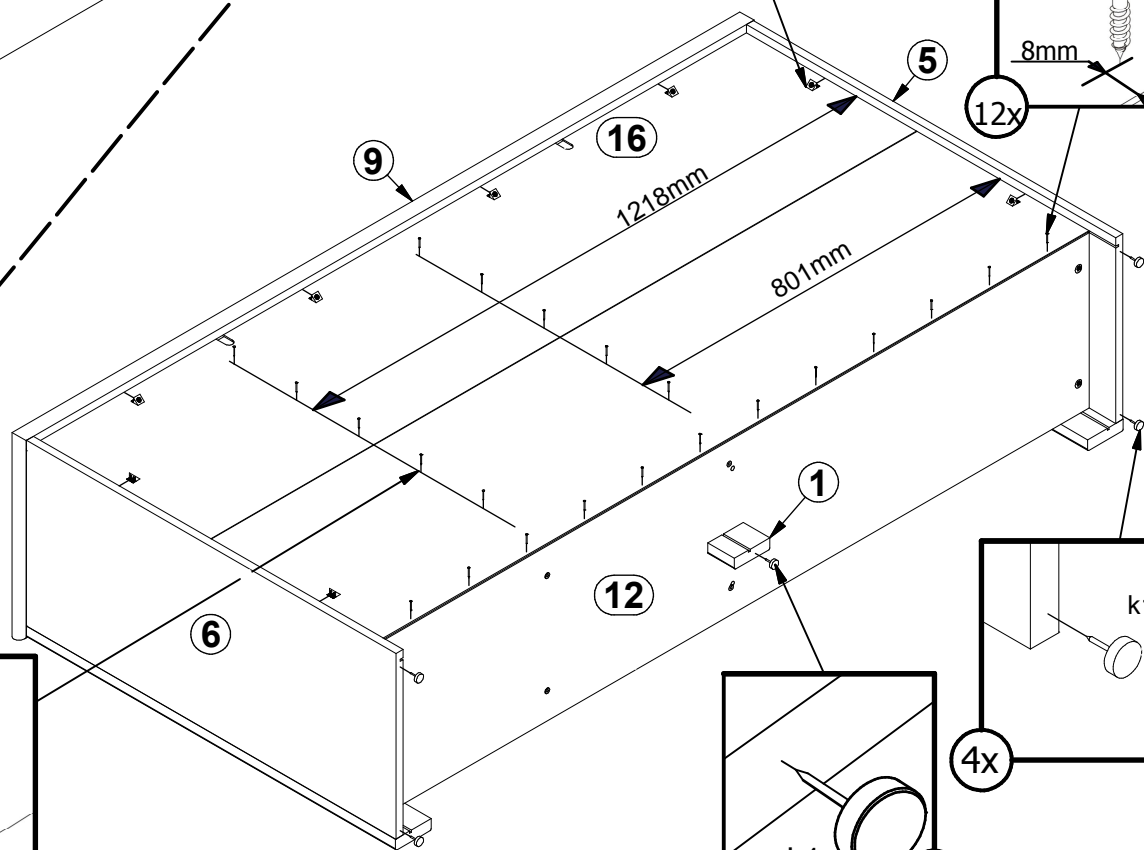
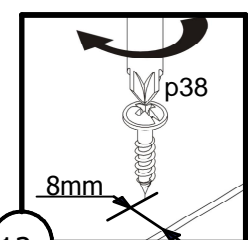
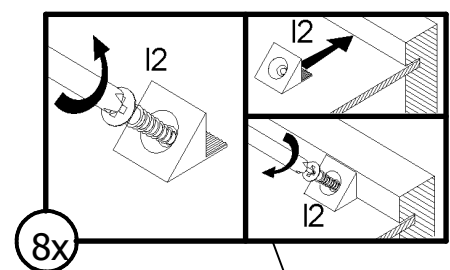
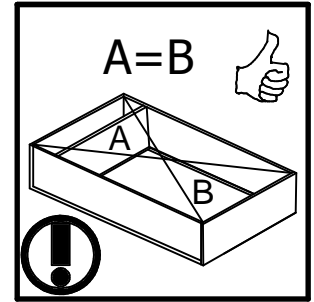
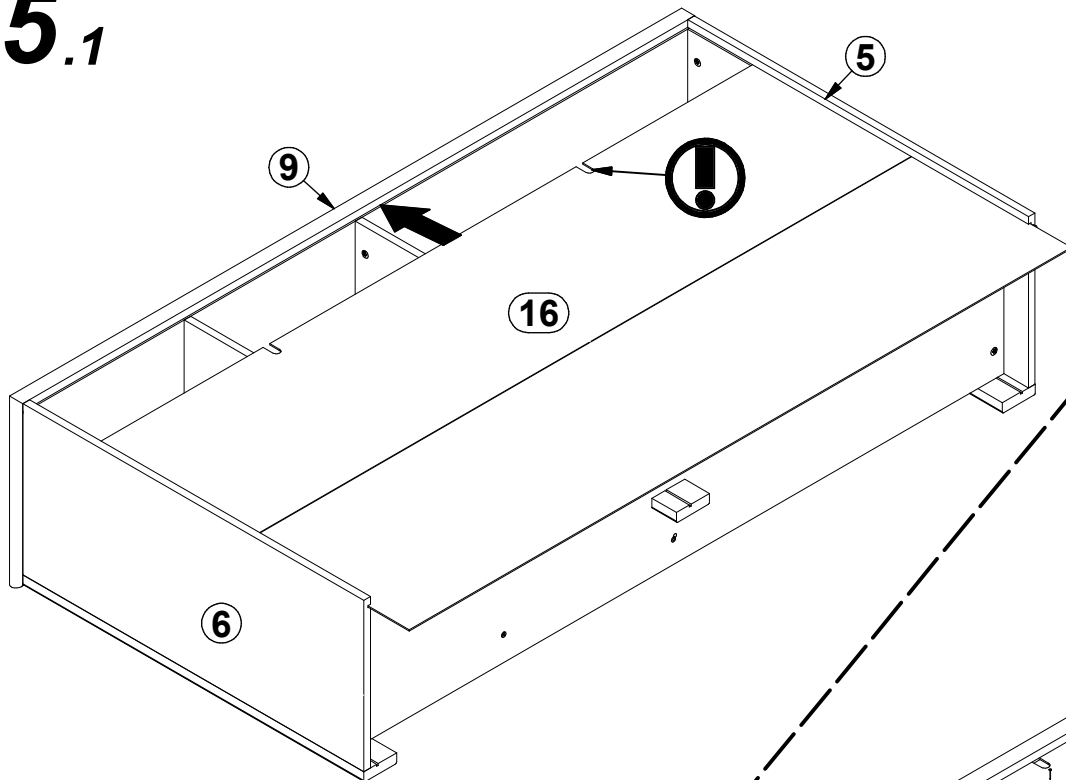


3



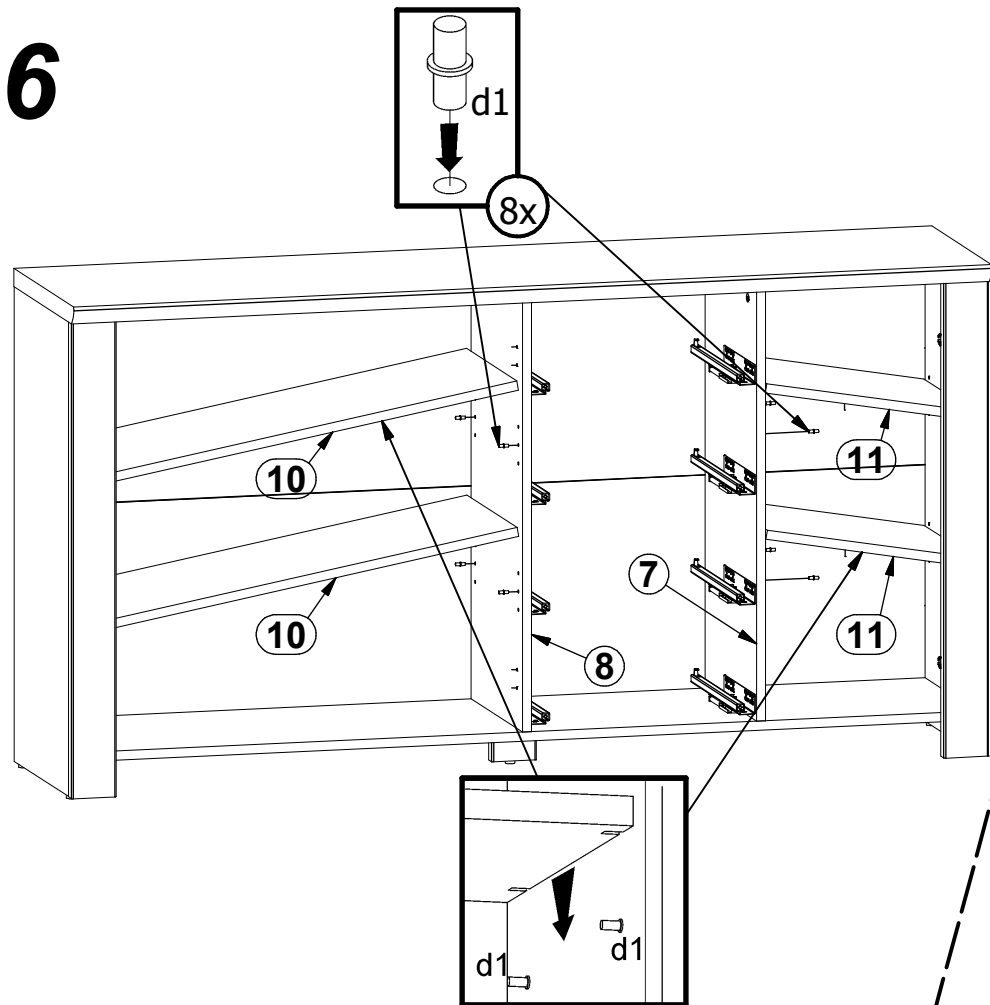
4

5.1

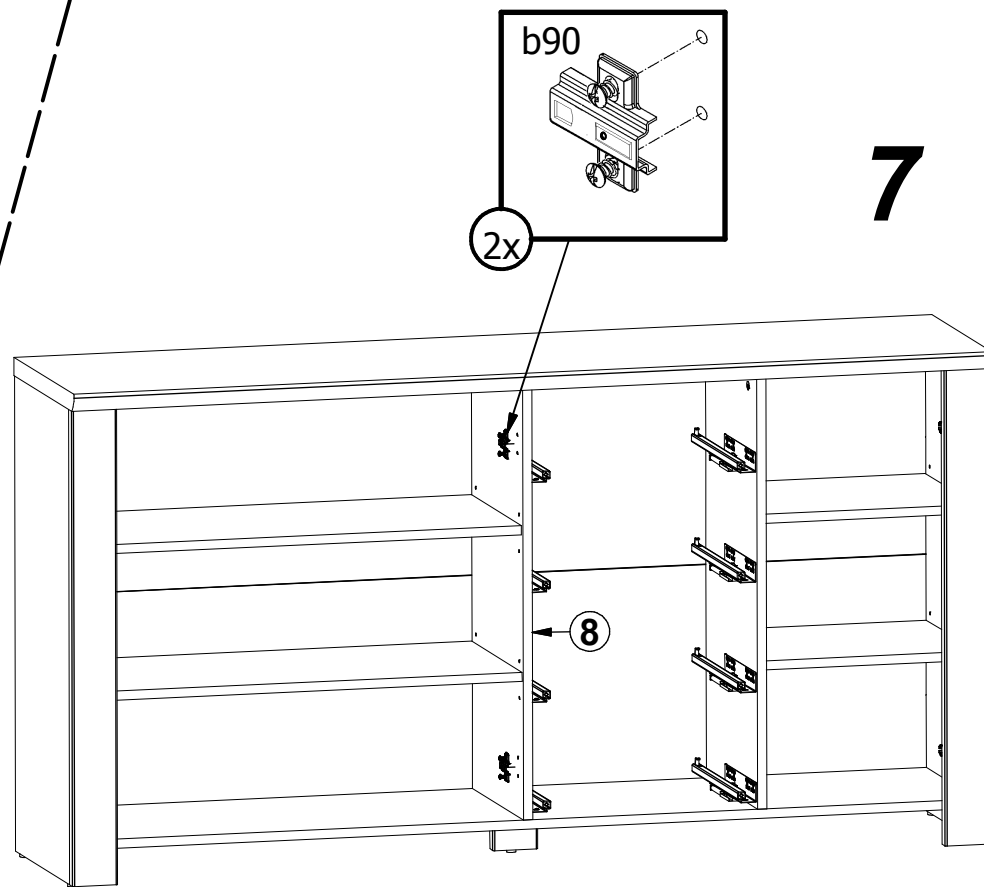


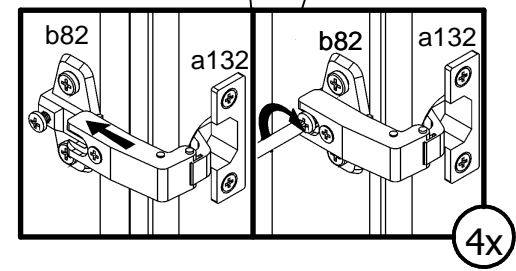
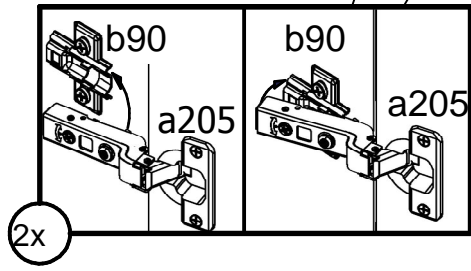
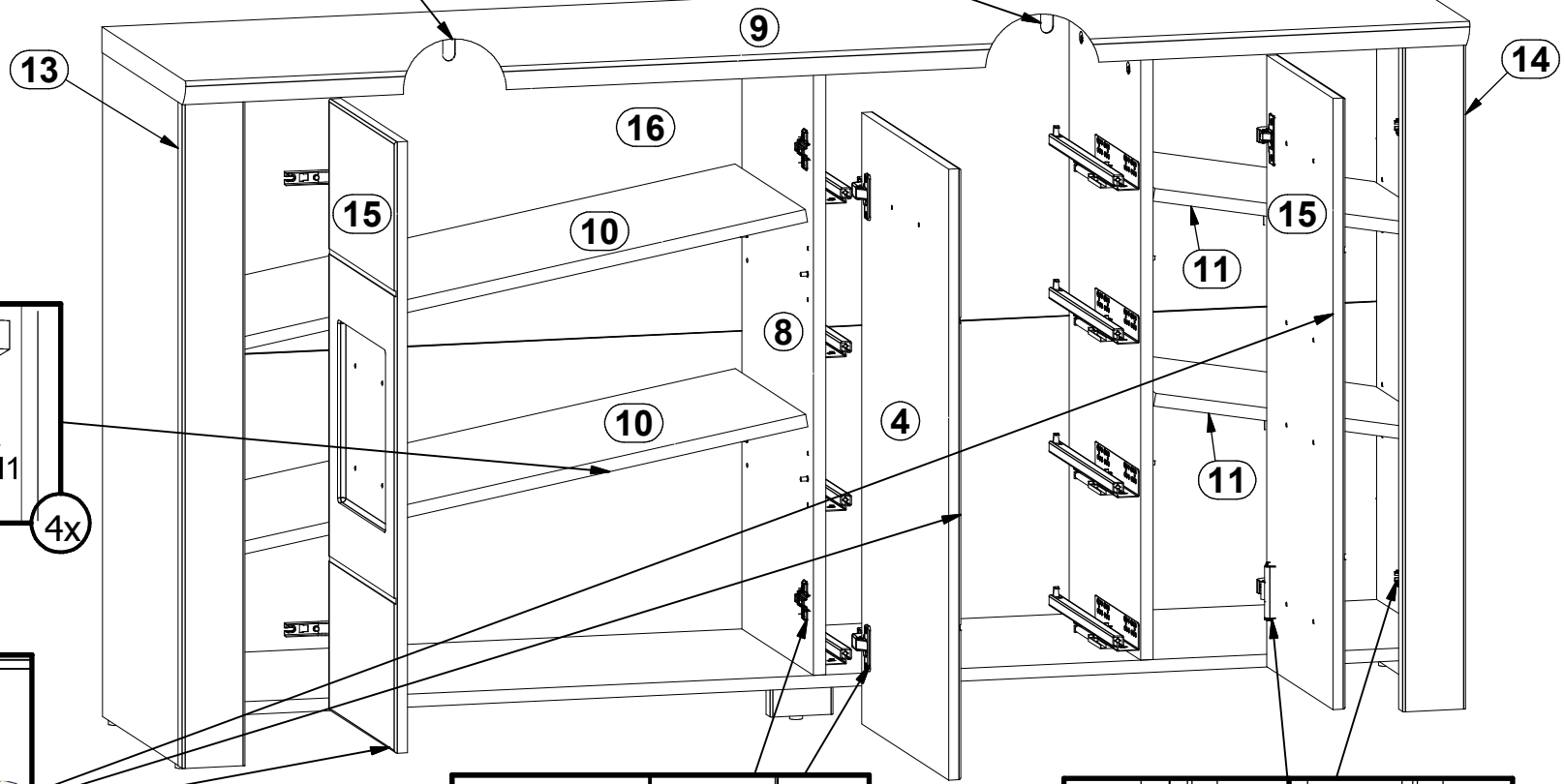
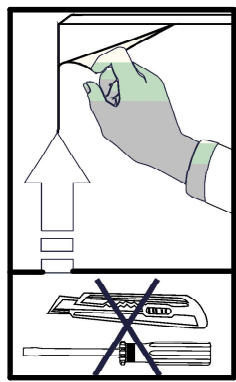
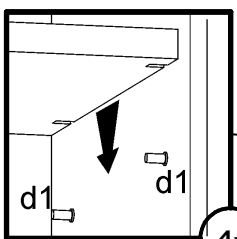
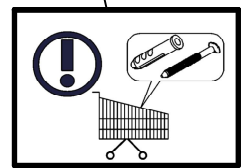
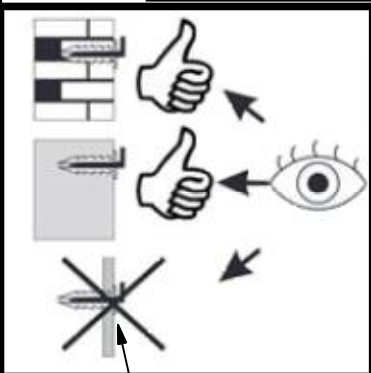
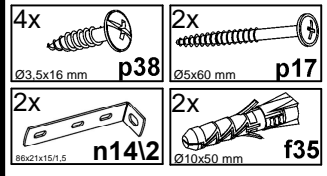
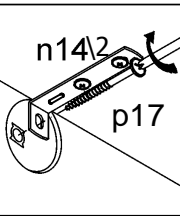
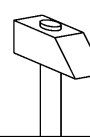
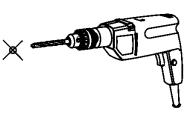
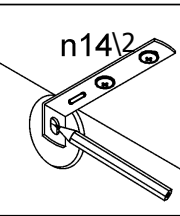
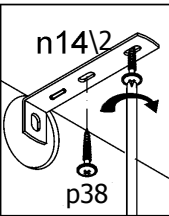
5.2

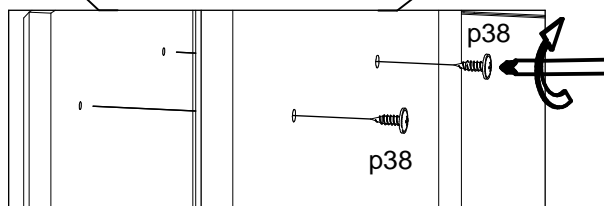
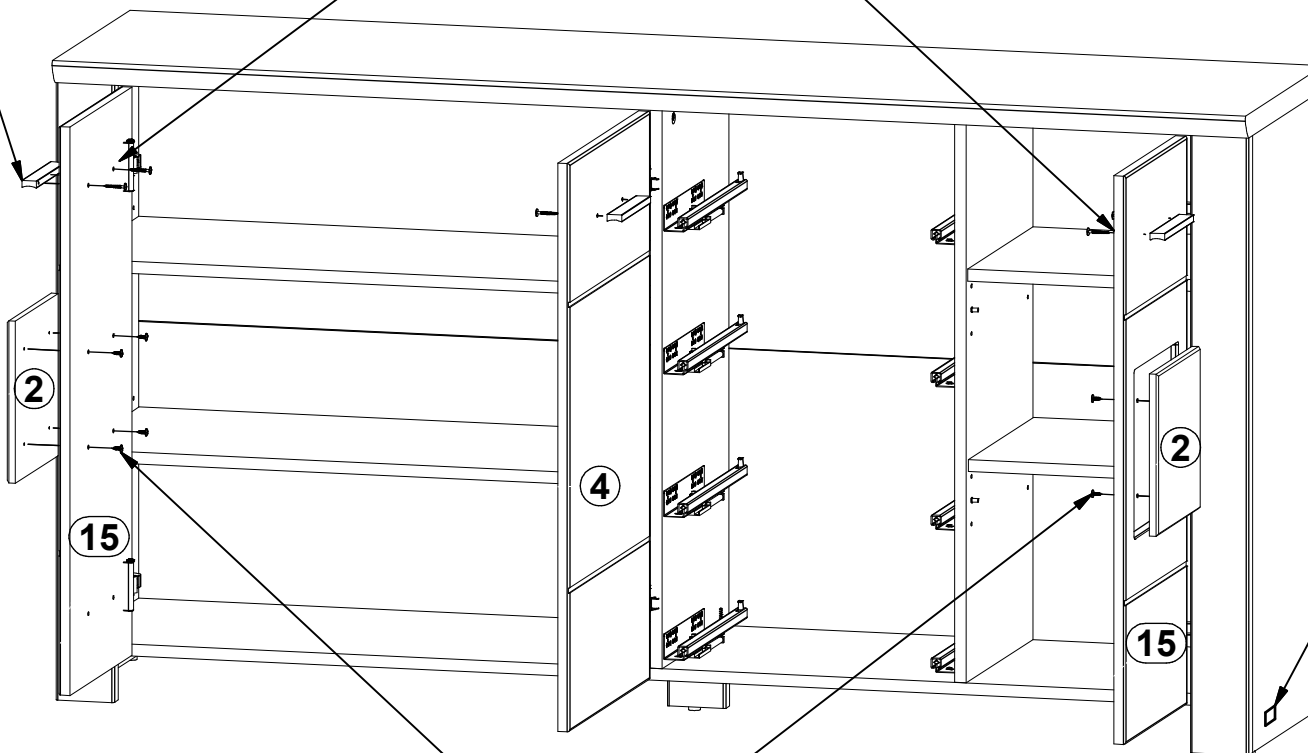
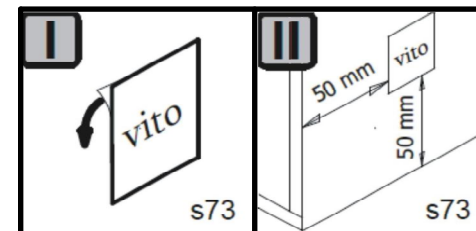
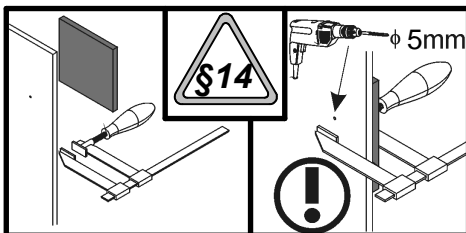
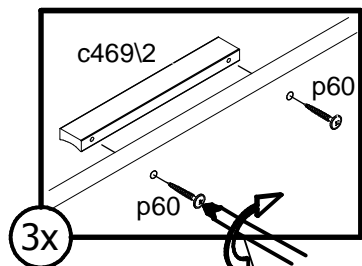
6

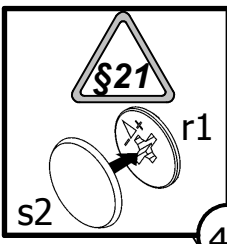
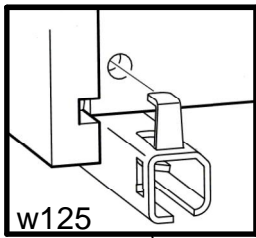
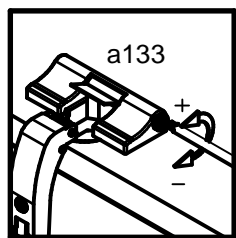
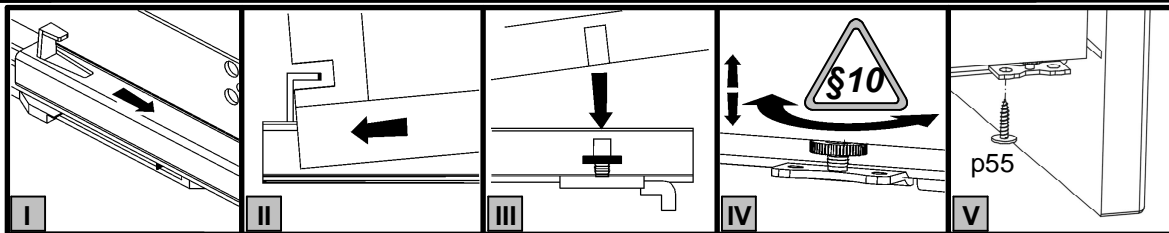


7









10

4x

