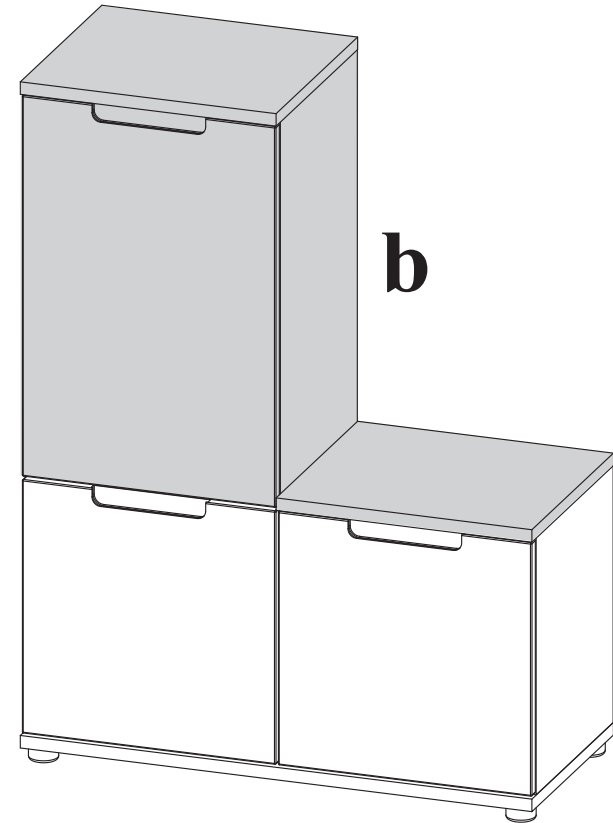
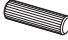
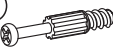



a





b


B1  ϕ 8x28 x16


T1  x12


M1  x12


C2  ϕ 20 x8


W1  x4

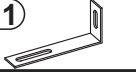
S11  4x25 x8


C13  ϕ 26 x2


SE  x1

F10  x4


P17  4x20 x4


J11  x1

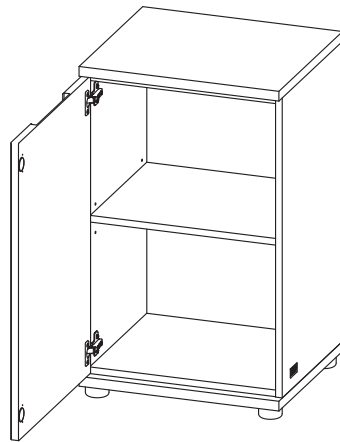
P13  3,5x13 x2

T17  ϕ 8x50
5x60 x1

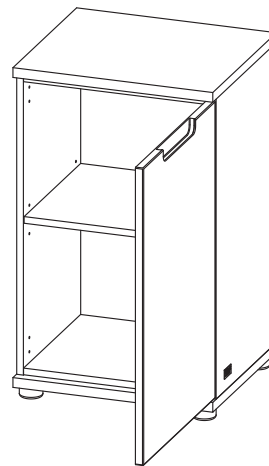
| Nr | Ausmaß | St |
|----|------------|----|
| 1 | 676 372 15 | 2 |
| 2 | 419 350 15 | 1 |
| 3 | 419 80 15 | 2 |
| 4 | 450 394 22 | 2 |
| 5 | 419 353 15 | 1 |
| 6 | 676 419 15 | 1 |
| 7 | 670 446 18 | 1 |

Y0  KR0 x2

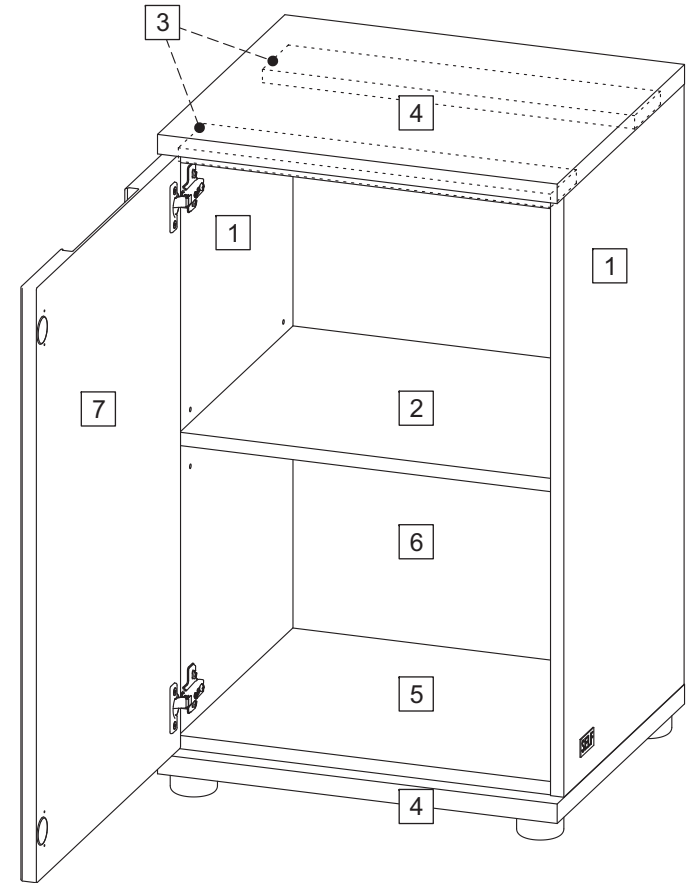
S8  4x13 x4



L



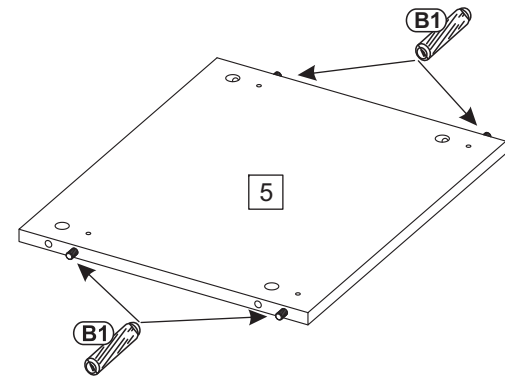
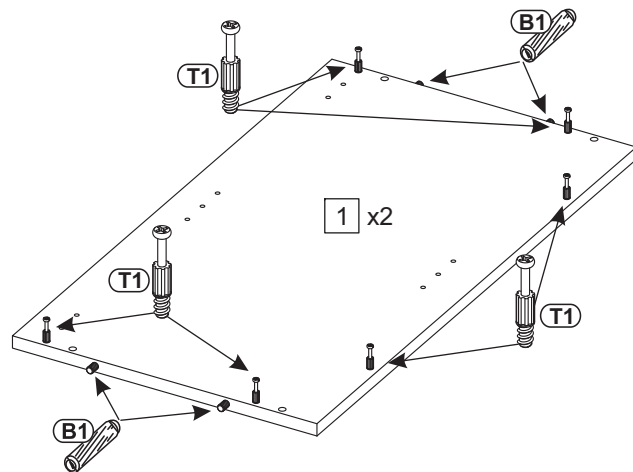
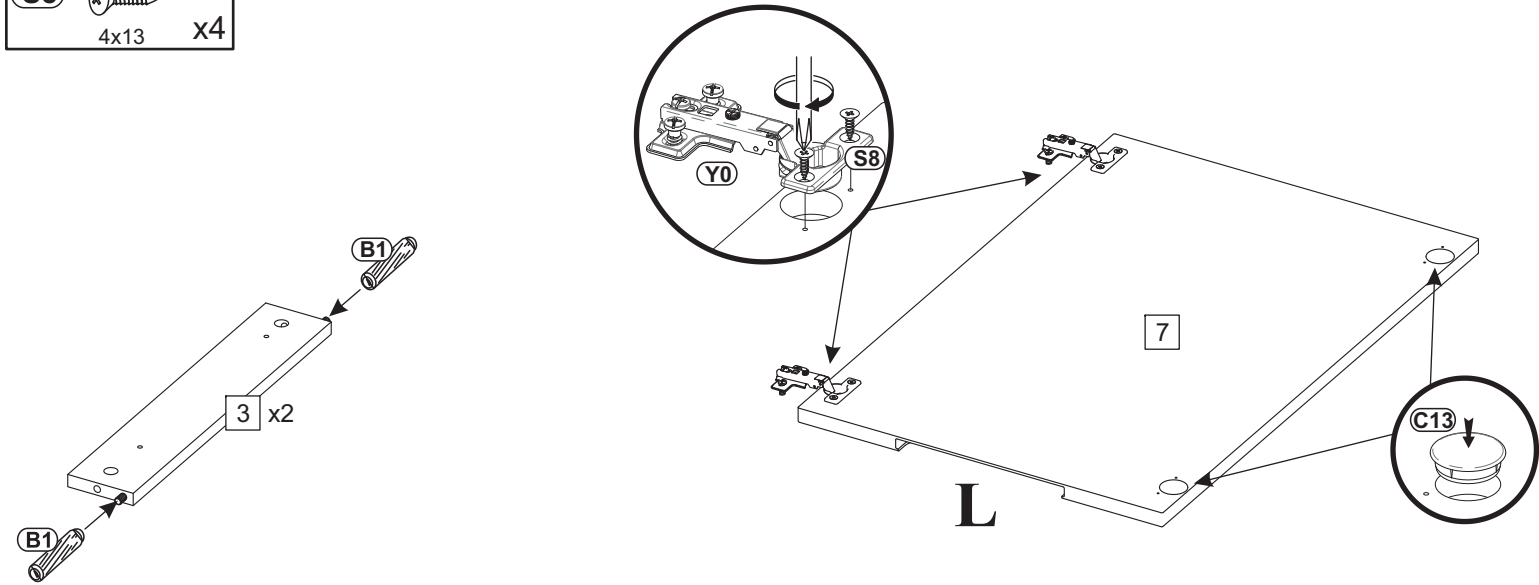
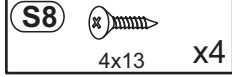
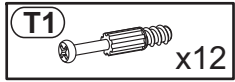
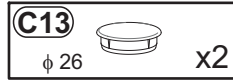
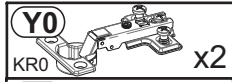
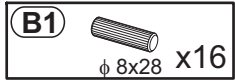
R



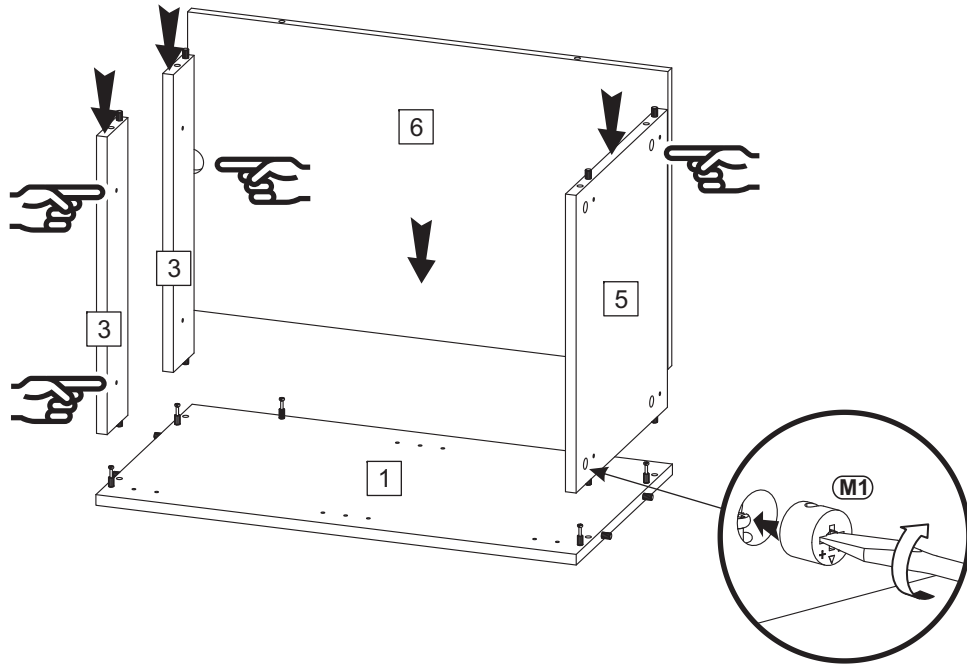
0 10 20 30 40 50 60 70 80 90 100 110 120 130 140 150 160 170 180 190 200



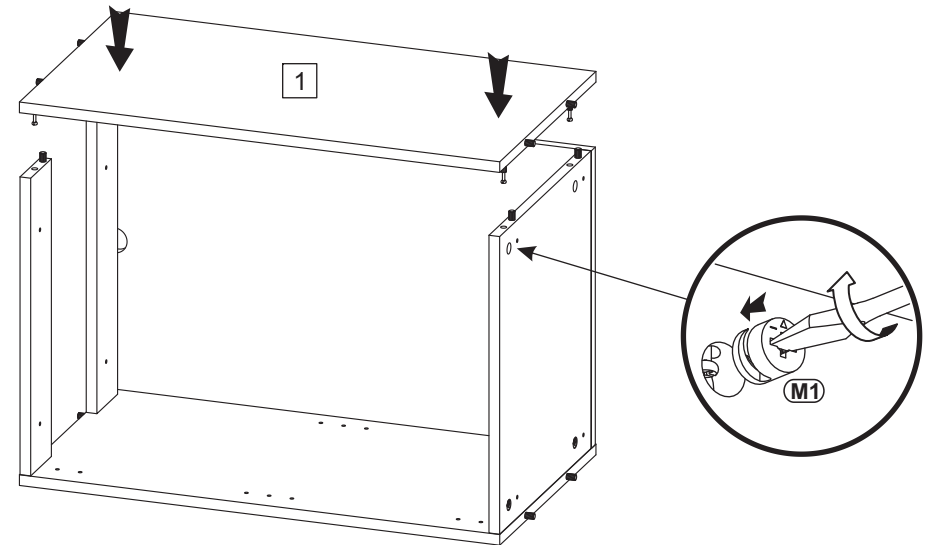
1



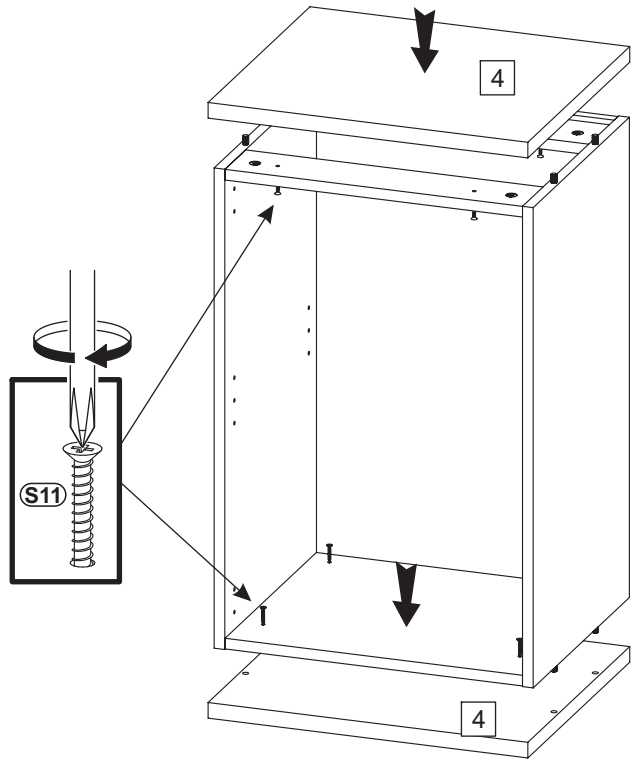
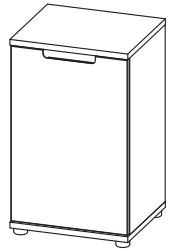
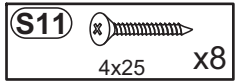
2



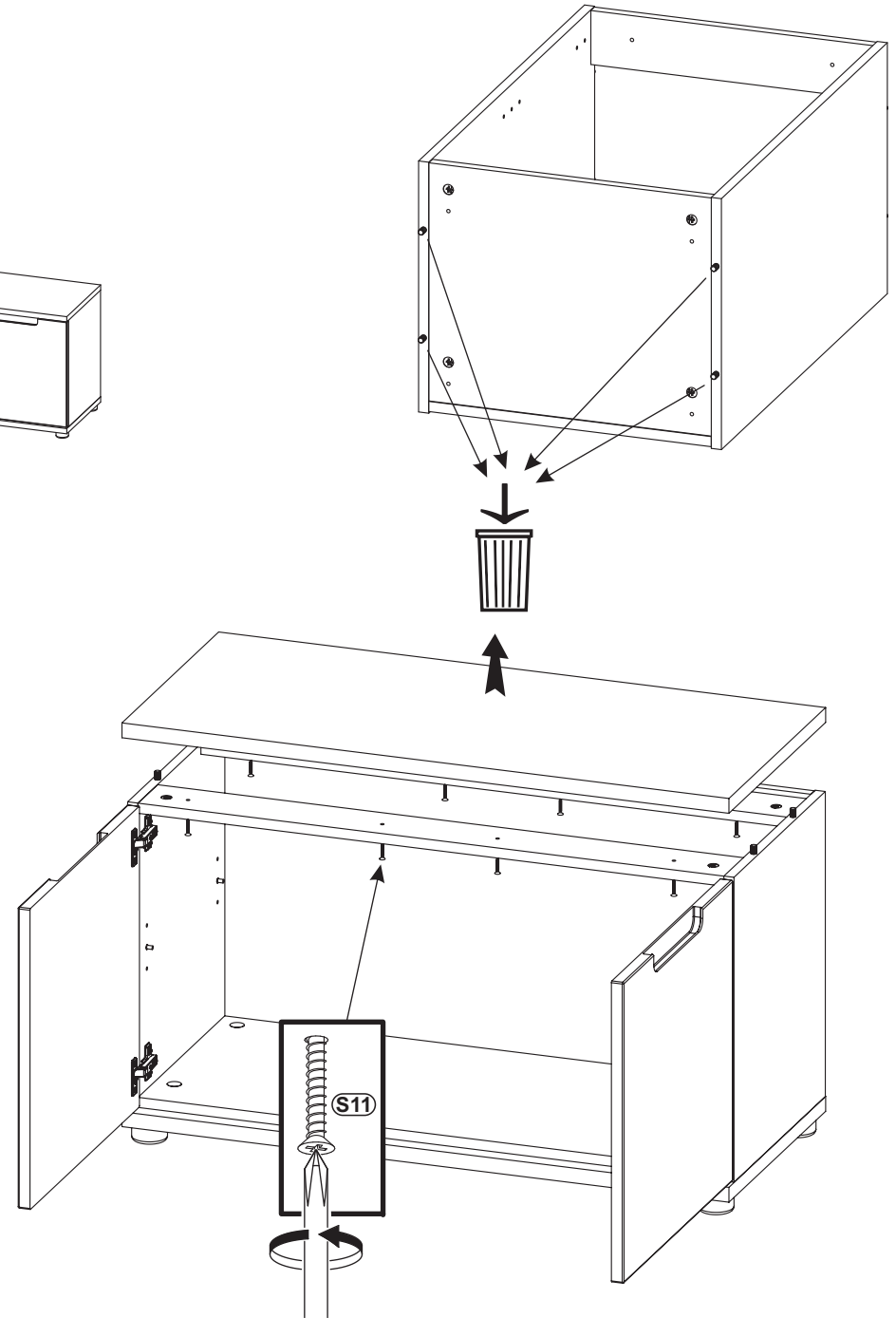
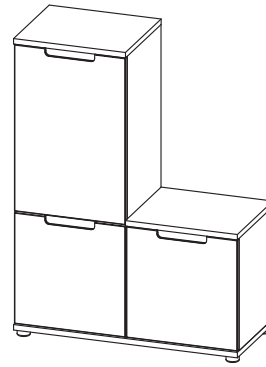
3



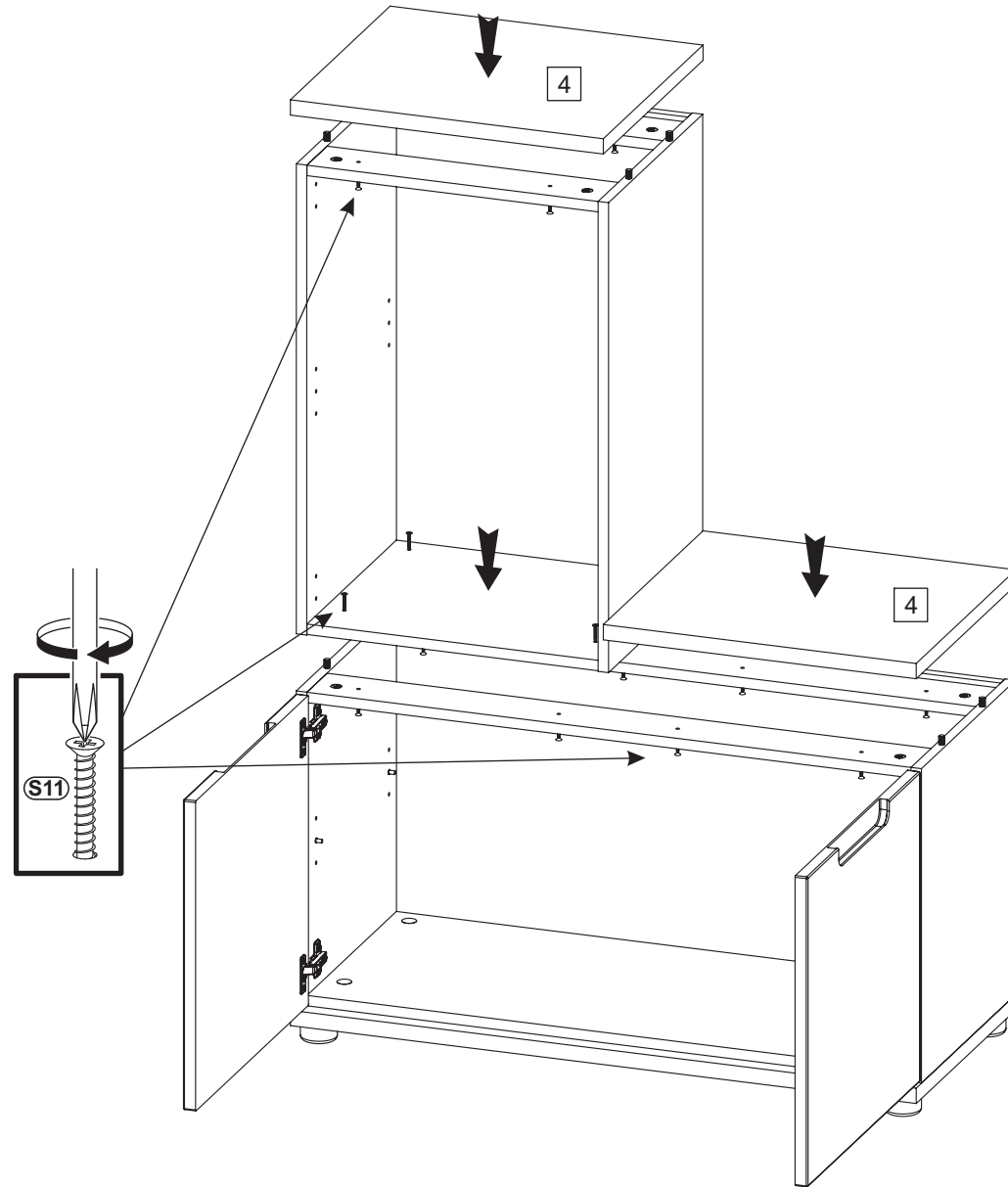
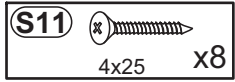
4a



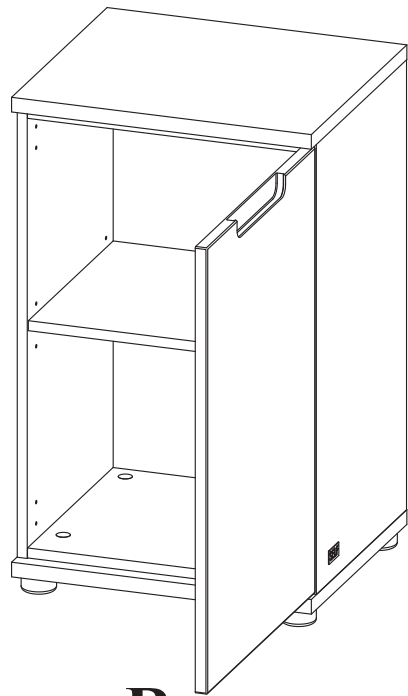
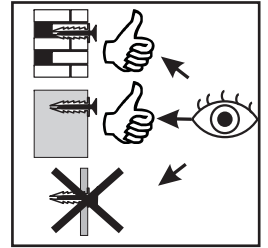
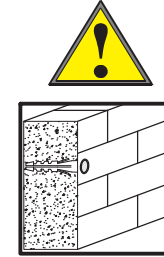
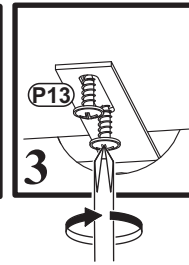
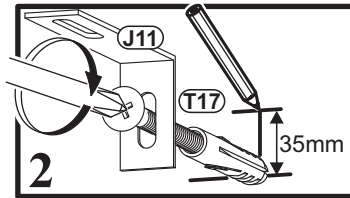
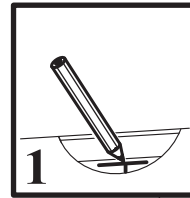
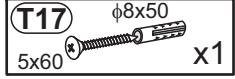
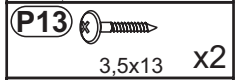
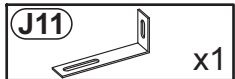
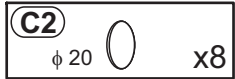
4b



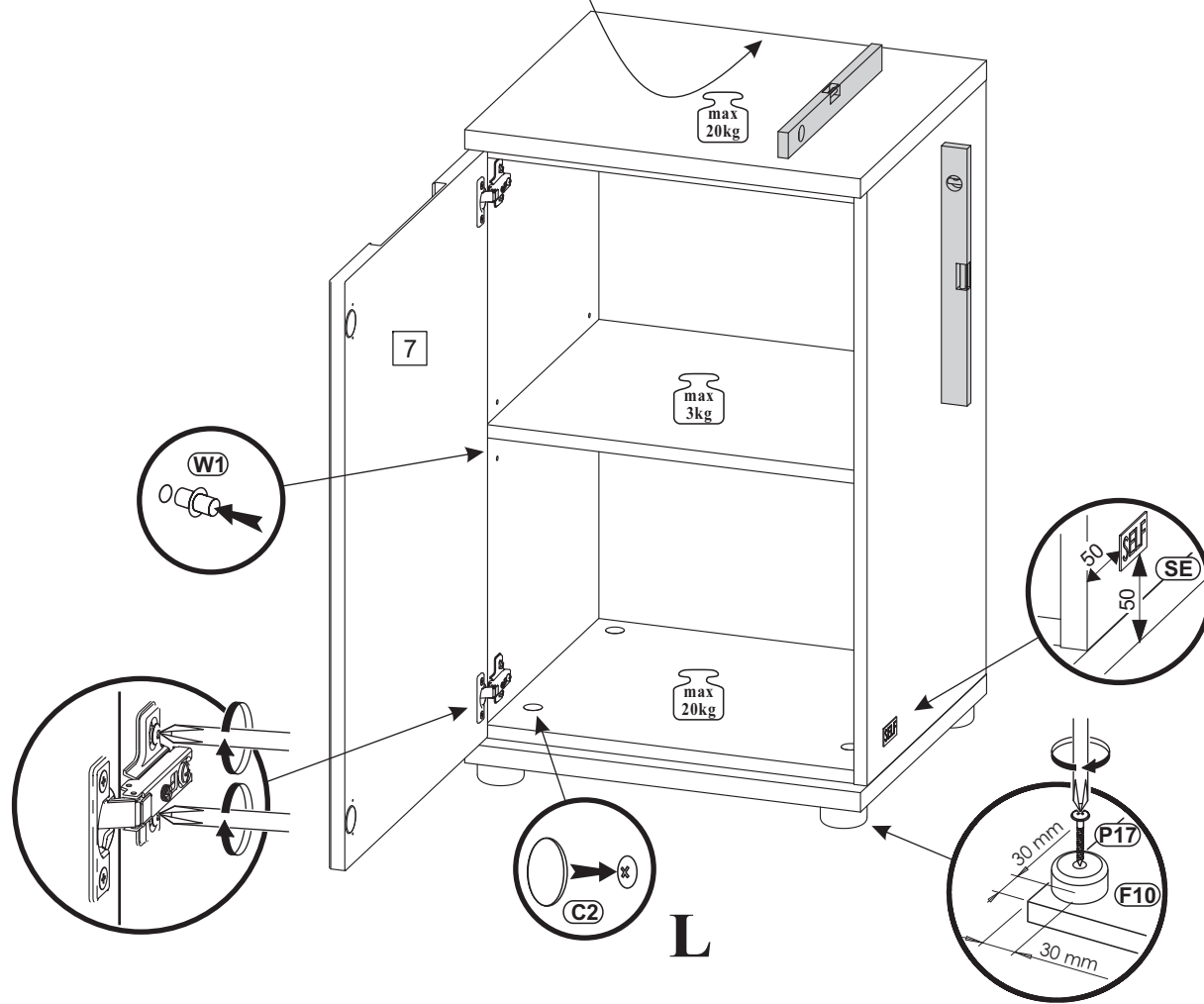
5b



6



R



L

