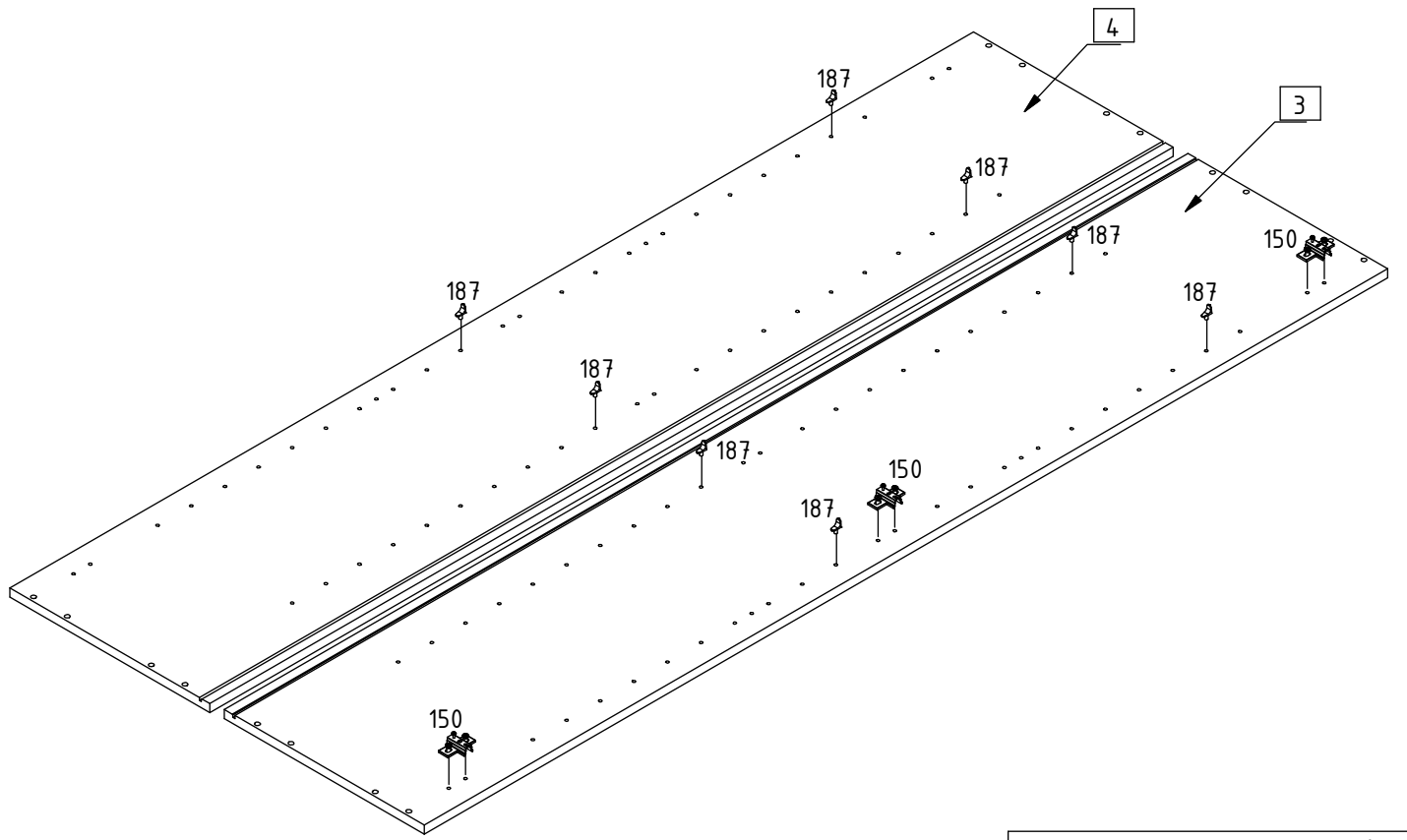
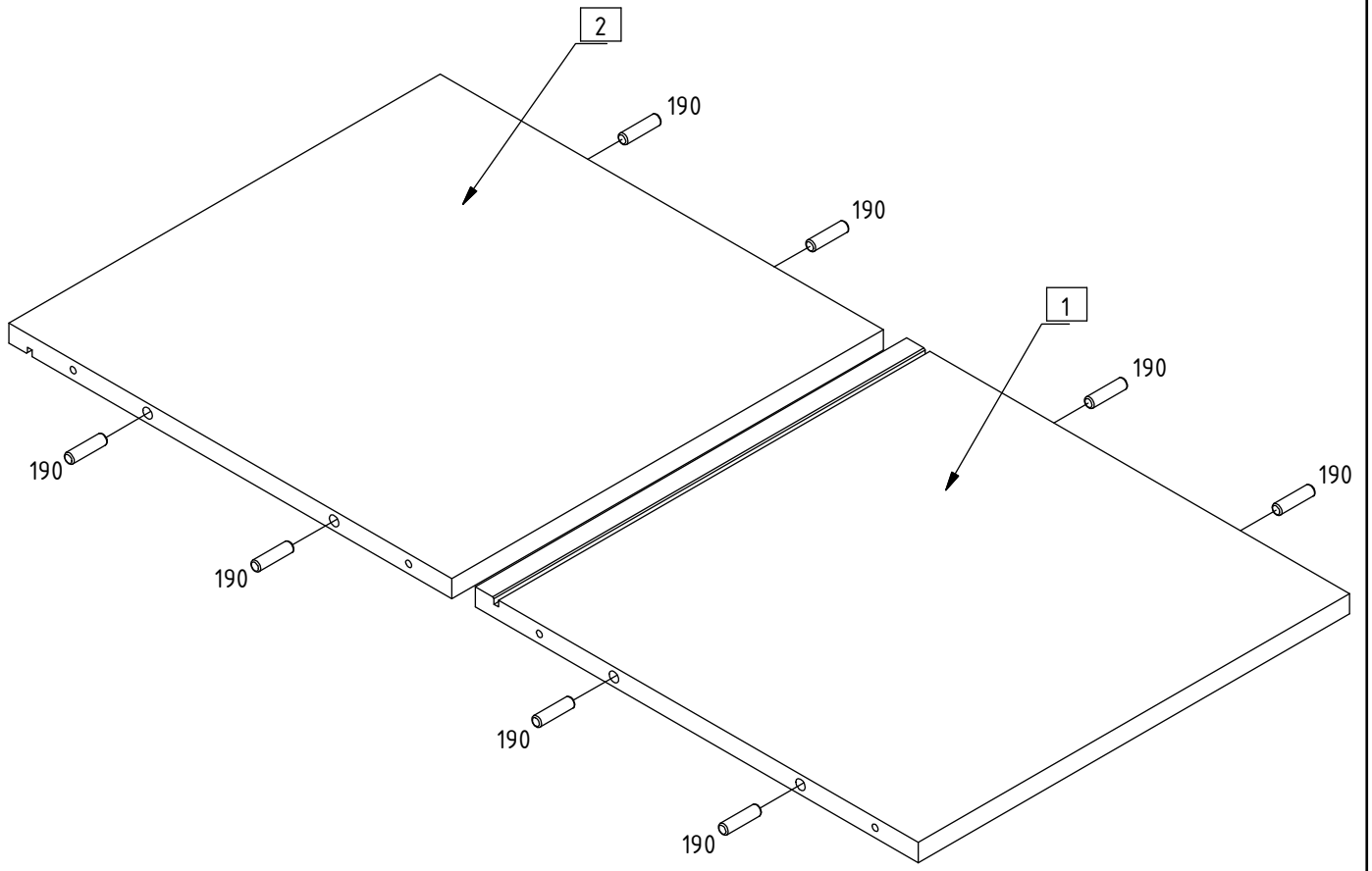
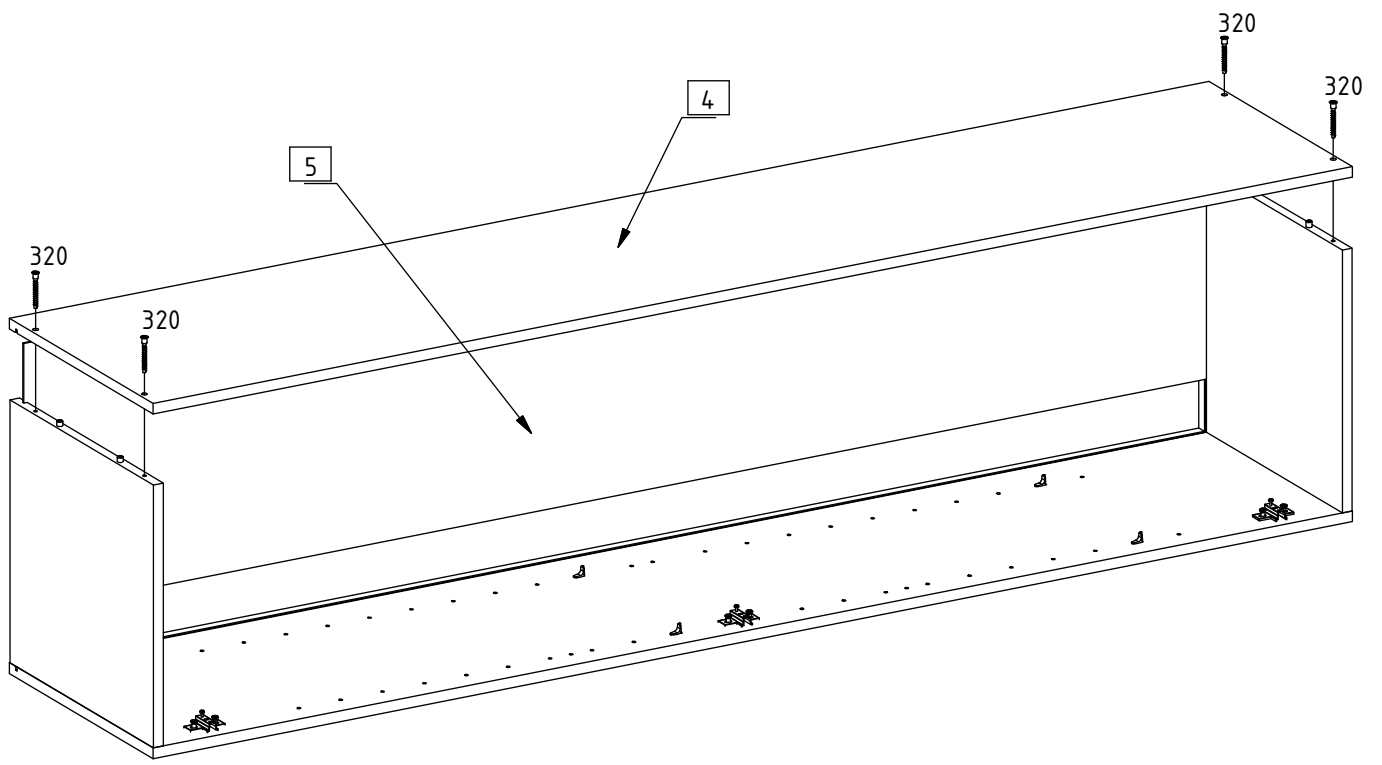
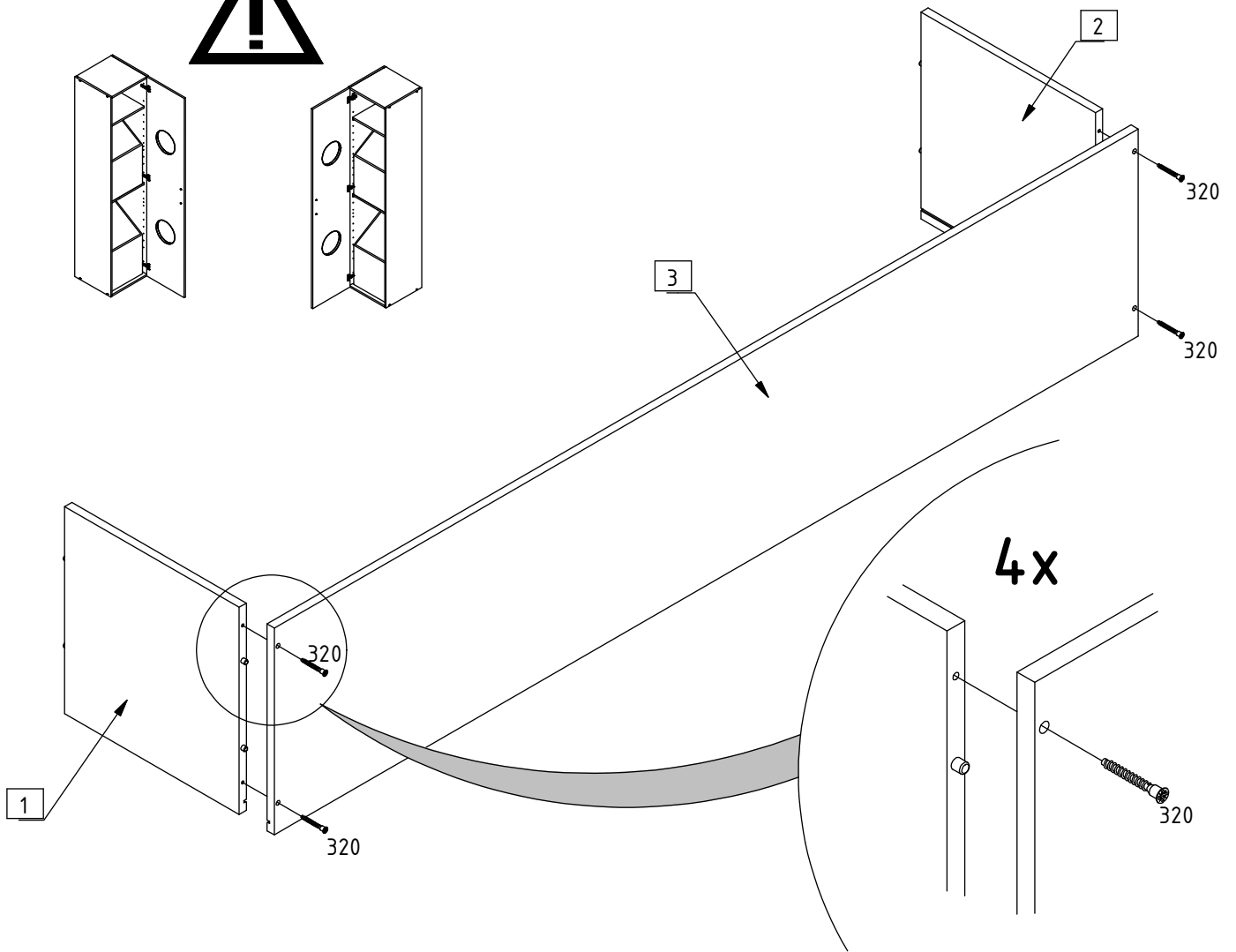
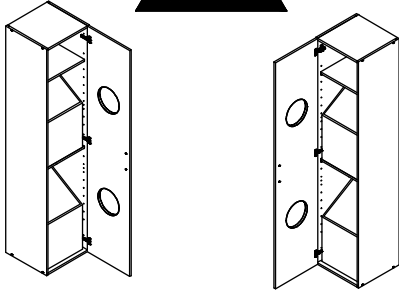
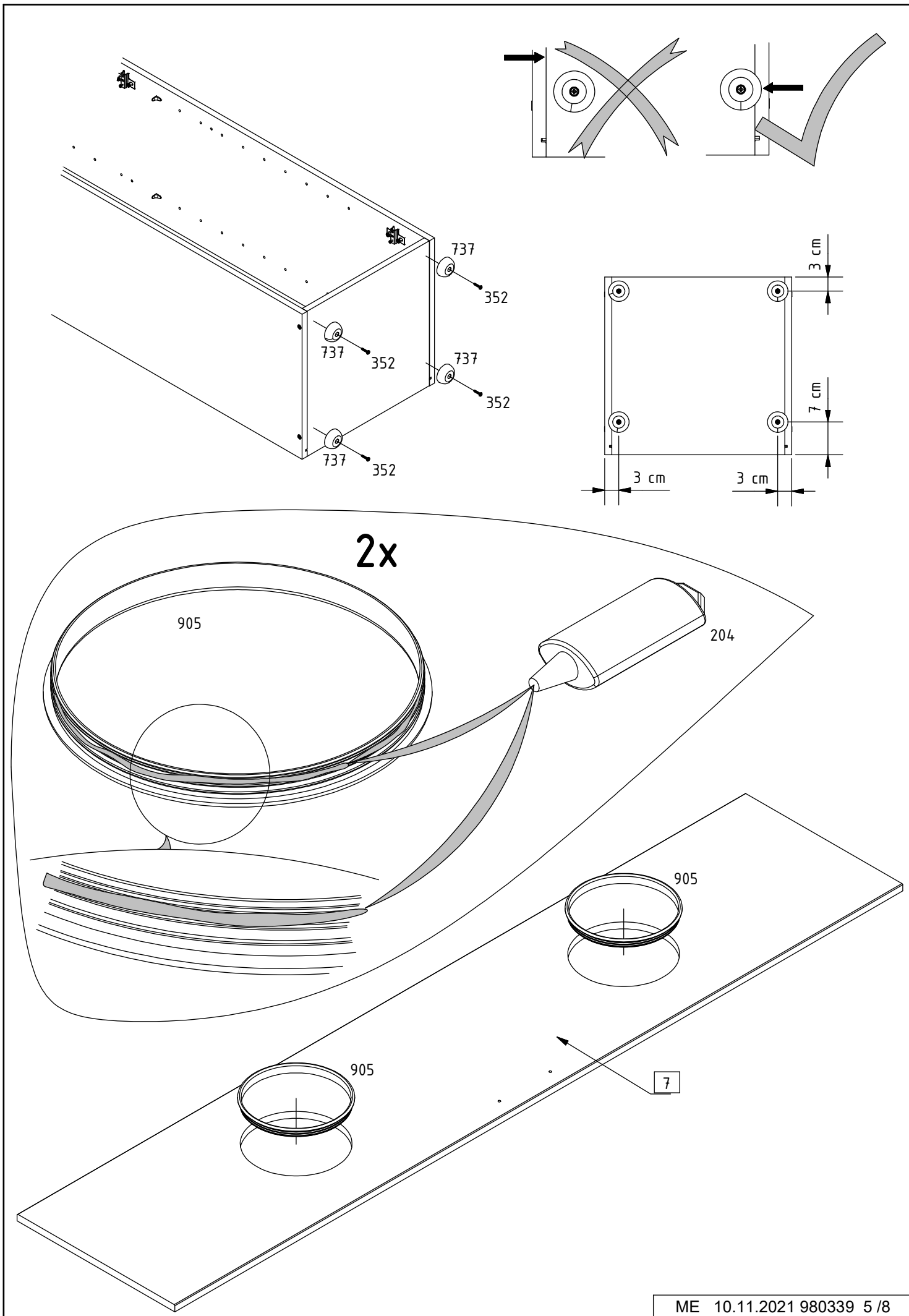
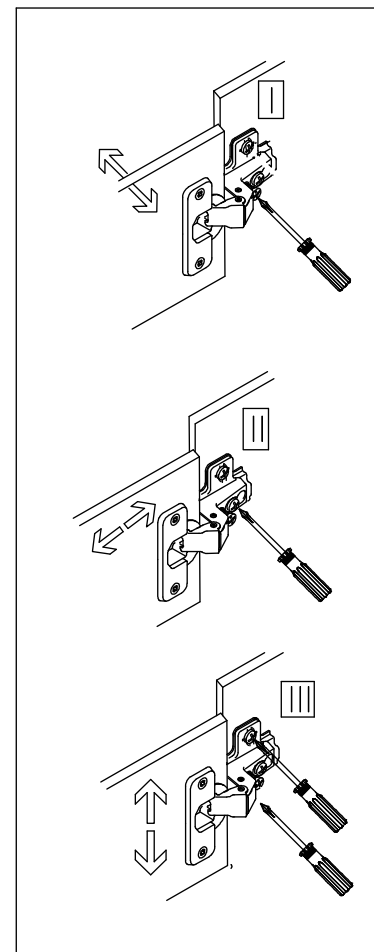
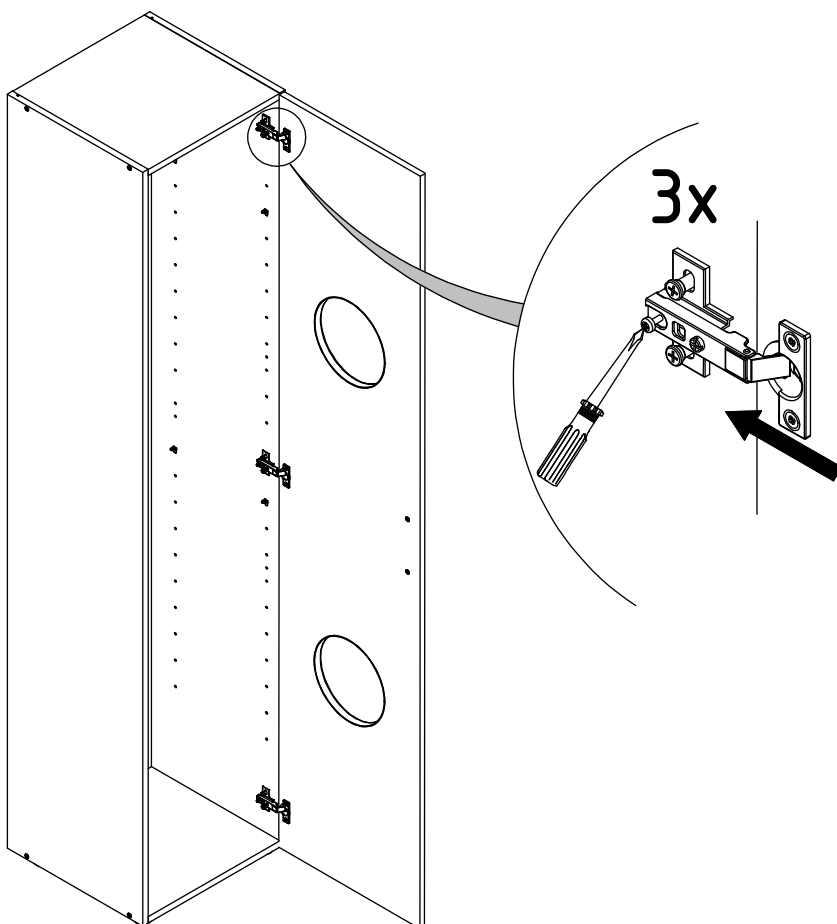
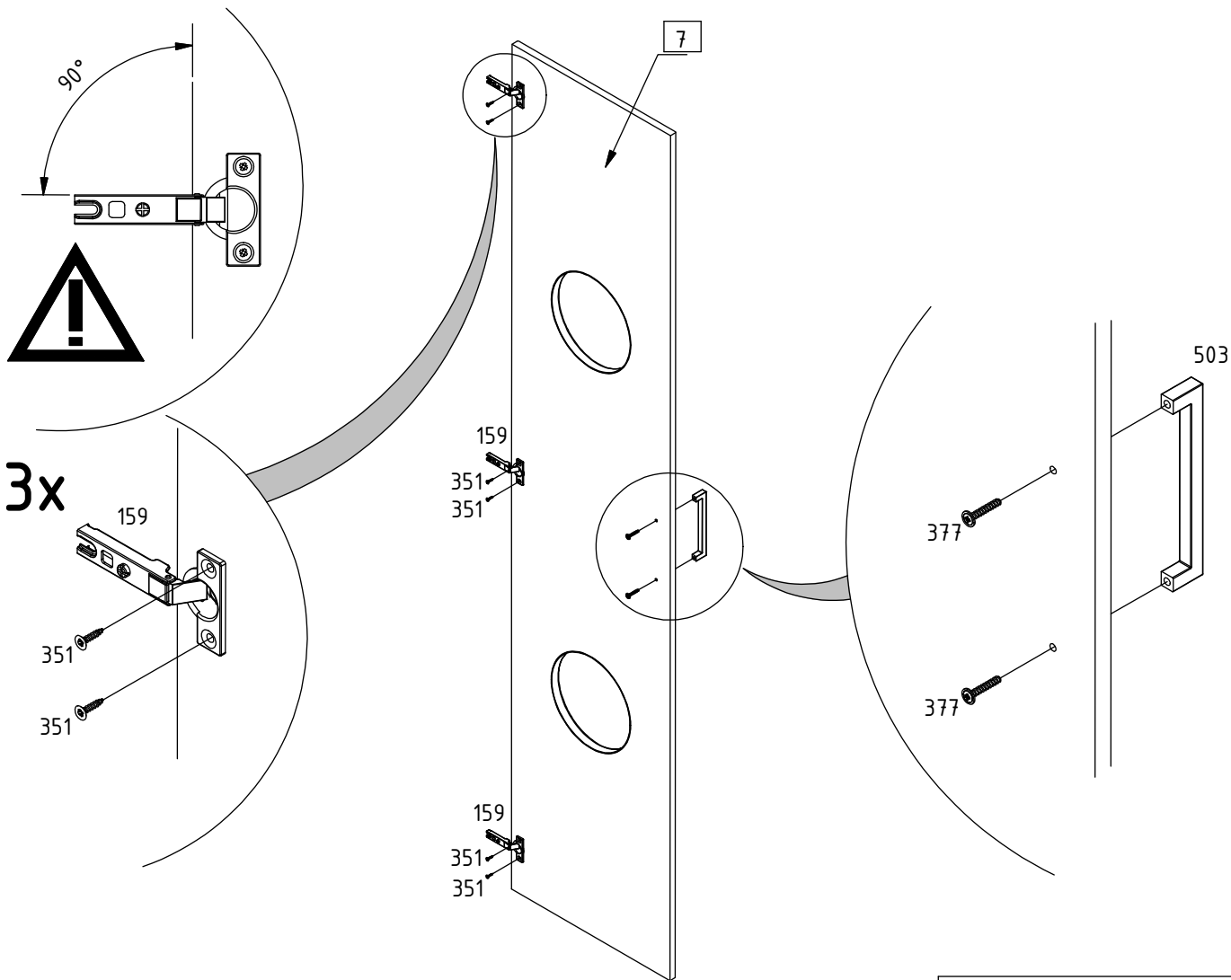


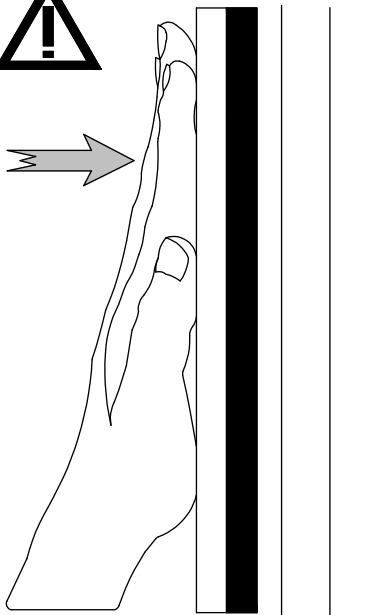
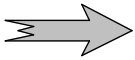
|     |   |                |     |   |  |             |
|-----|---|----------------|-----|---|--|-------------|
| 150 | 3 |                | 349 | 4 |  | 3,5 x 25 mm |
| 159 | 3 |                | 351 | 6 |  | 3,5 x 15 mm |
| 187 | 8 |                | 352 | 4 |  | 4 x 20 mm   |
| 190 | 8 | <br>Ø8 x 30 mm | 377 | 2 |  | 4 x 25 mm   |
| 204 | 1 |                | 503 | 1 |  |             |
| 220 | 8 |                | 737 | 4 |  |             |
| 320 | 8 | <br>6 x 50 mm  | 905 | 2 |  |             |



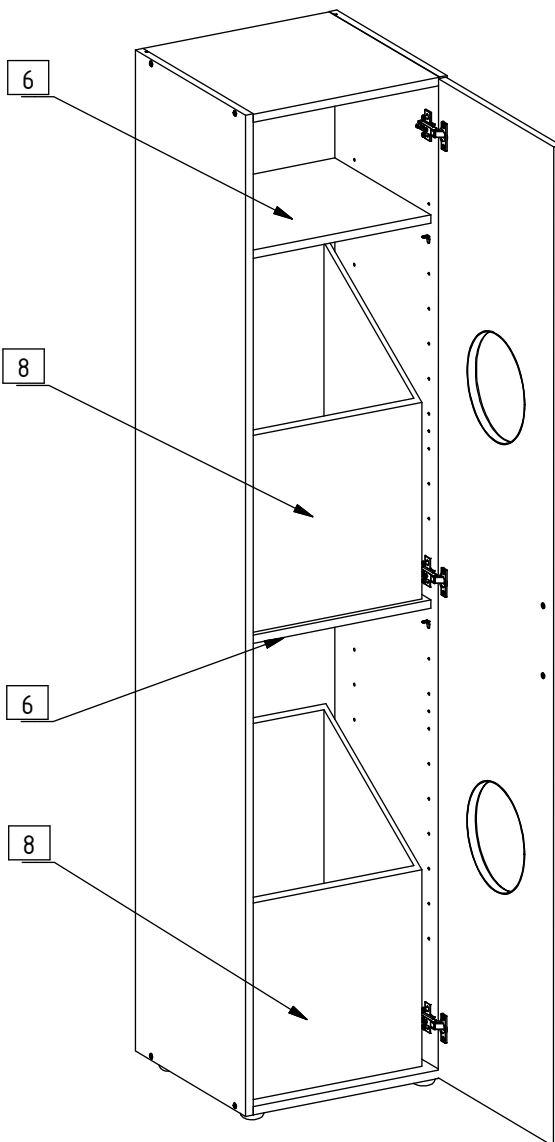
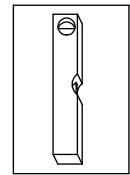
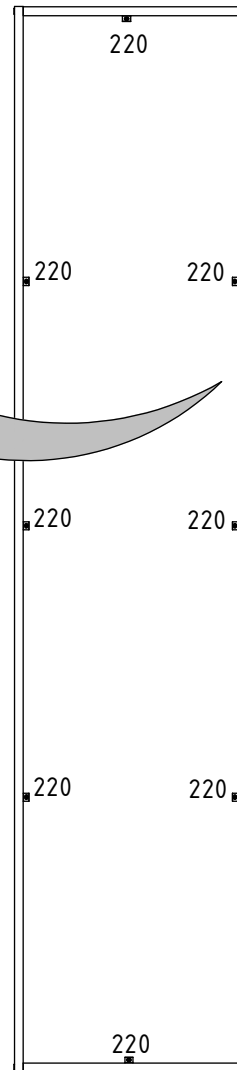
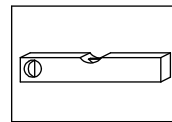
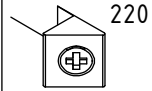


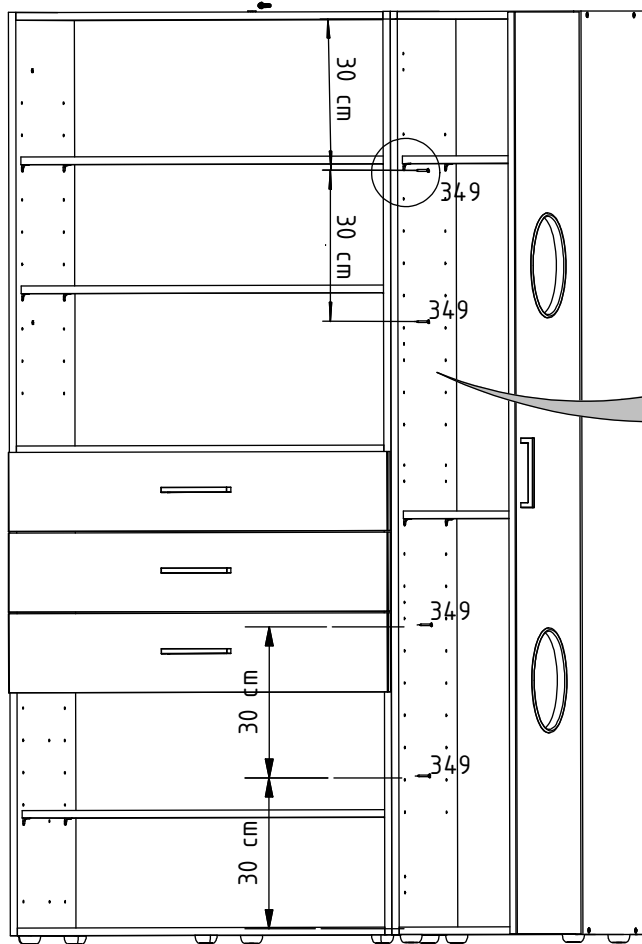






8x





4x

