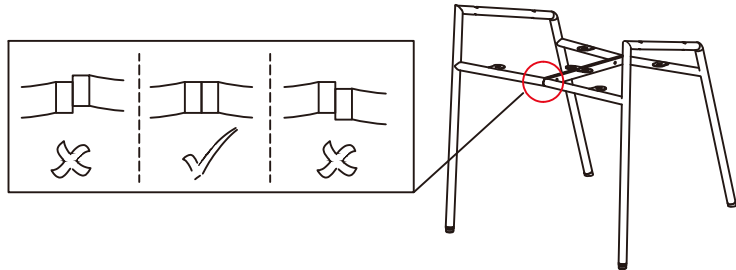
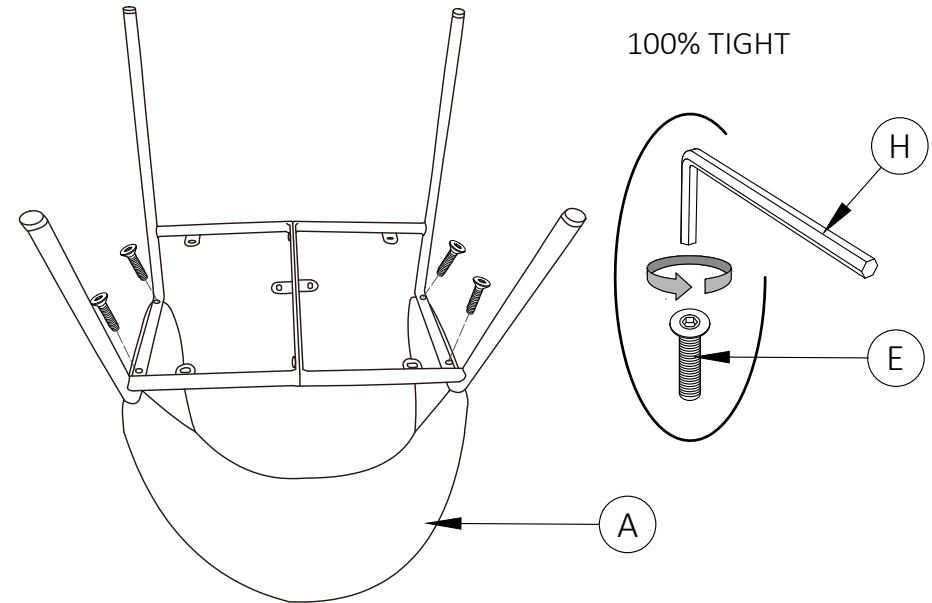
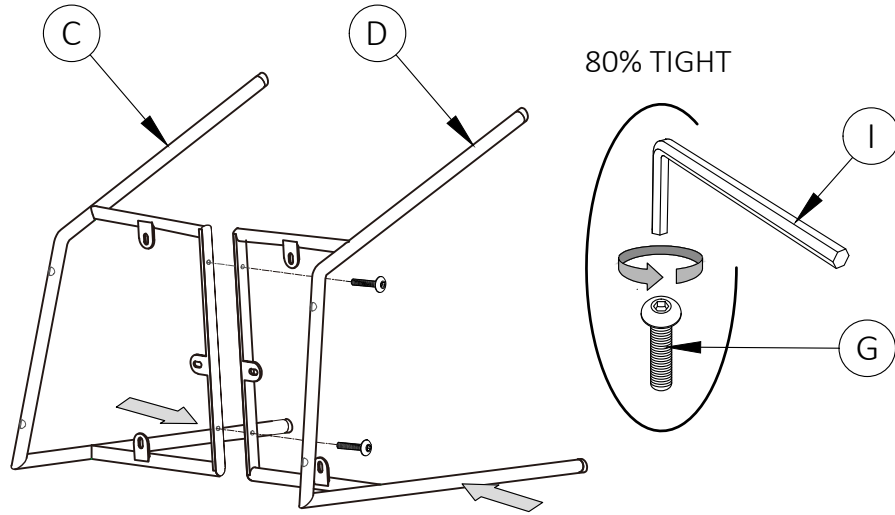
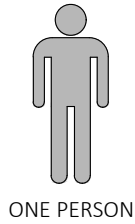


1 PUT TOGETHER THE LEFT LEG (C) AND RIGHT LEG (D), TIGHTEN THEM WITH BOLTS (G) USING L-KEY (I).

2 ASSEMBLE THE LEG FRAME ONTO THE BOTTOM OF THE ARM (A), TIGHTEN THEM WITH BOLTS (E) USING L-KEY (H)



FR

Pensez à donner ou recycler.



Ou



Ou

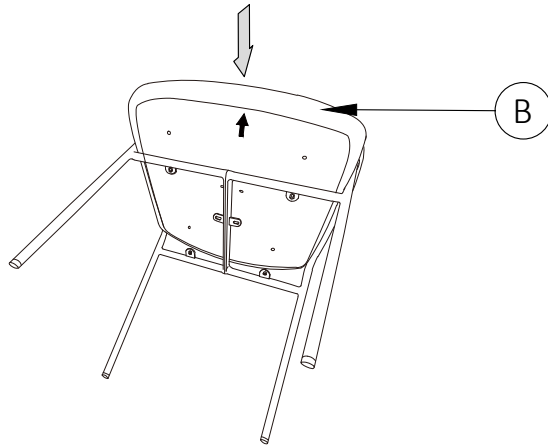


Association Magasin Déchèterie

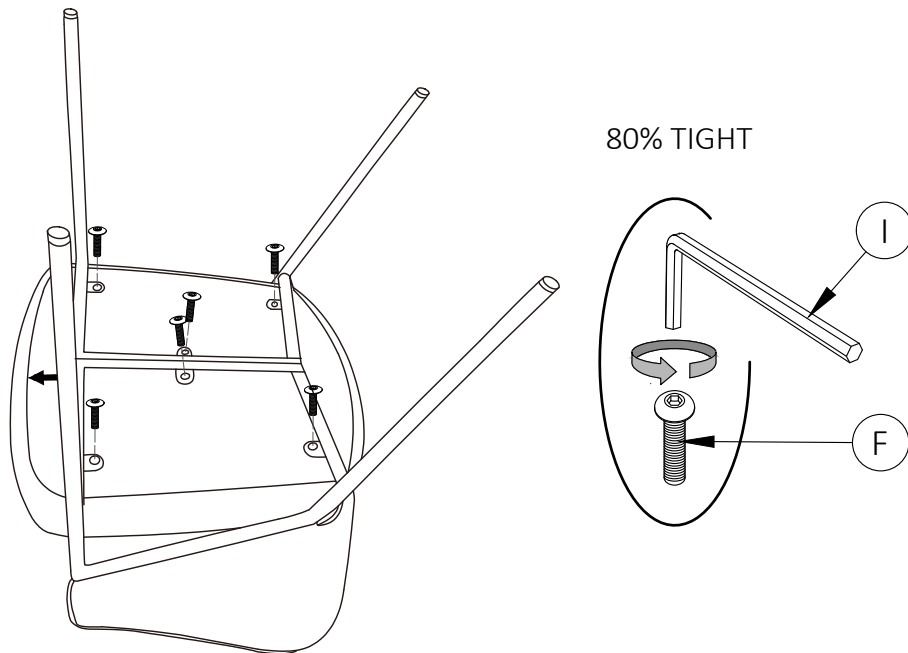
<https://quefairedemesdechets.fr>

ID	A	B	C	D	E	F	G	H	I
FITTINGS									
	ARM	SEAT	LEFT LEG	RIGHT LEG	BOLT	BOLT	BOLT	L-KEY	L-KEY
QTY	1	1	1	1	4	6	2	1	1

3 SLIDE THE SEAT (B) INTO THE FRAME

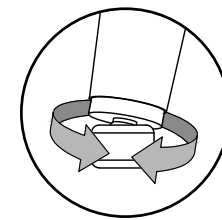
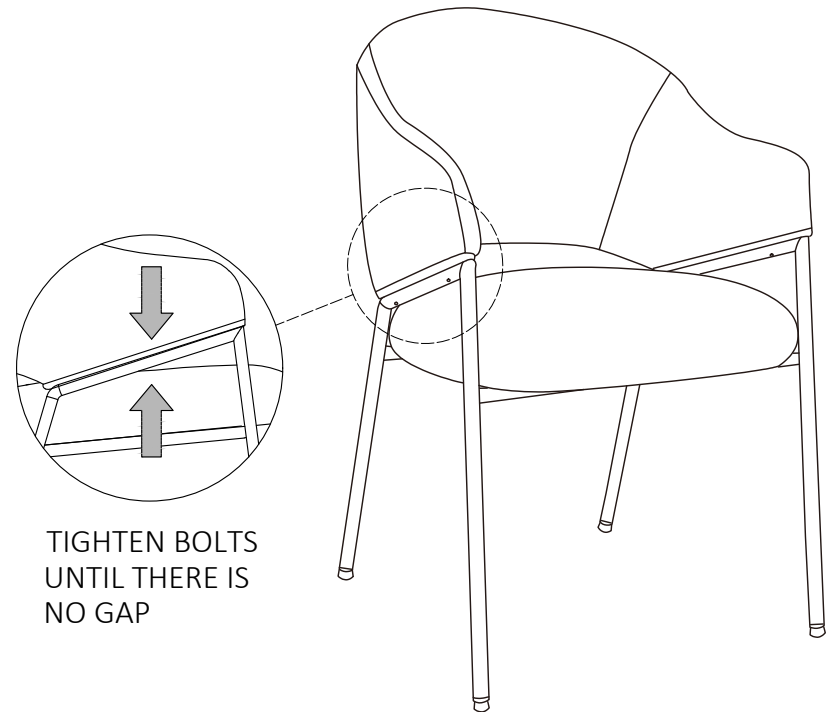


4 ASSEMBLE THE LEG FRAME ONTO THE BOTTOM OF THE SEAT (B), TIGHTEN THEM WITH BOLTS (F) USING L-KEY (I)



5 100% TIGHTEN ALL BOLTS.

6 FINISHED



FEET ARE ADJUSTABLE IN HEIGHT AND ANGLE