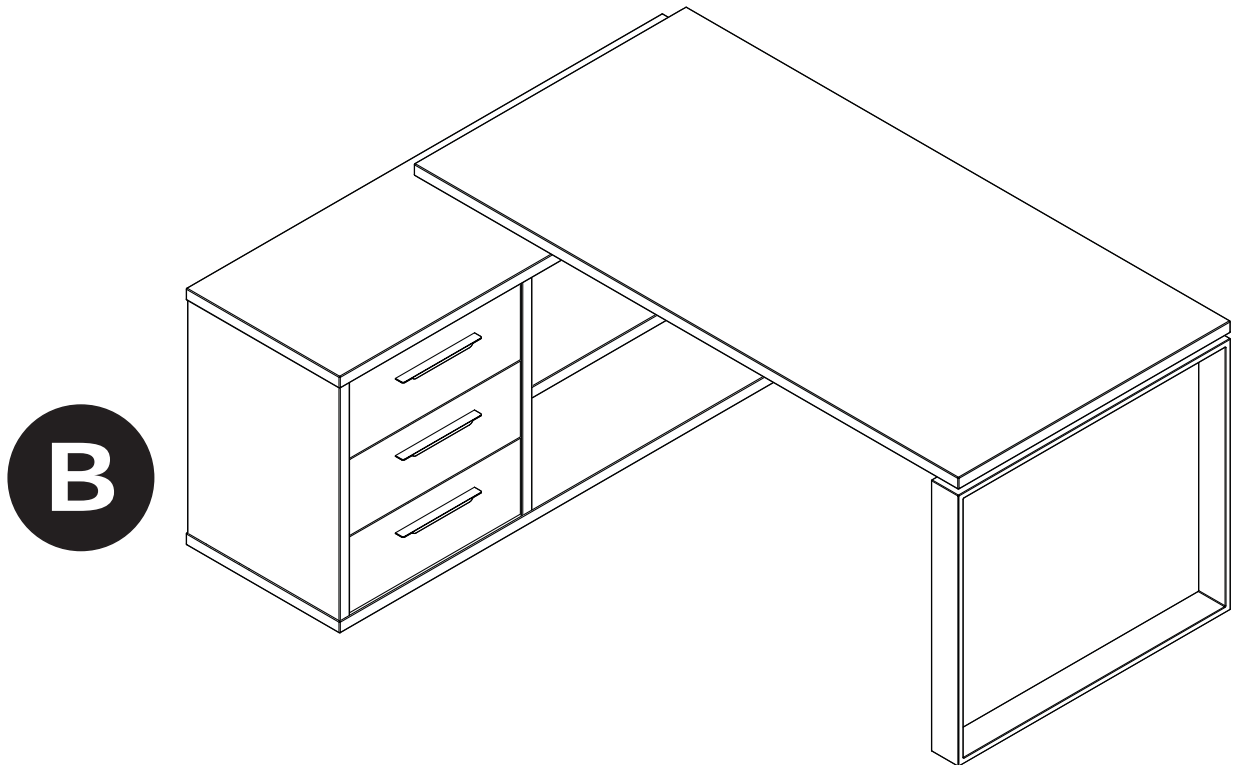
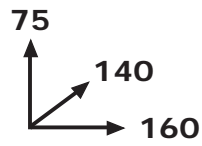
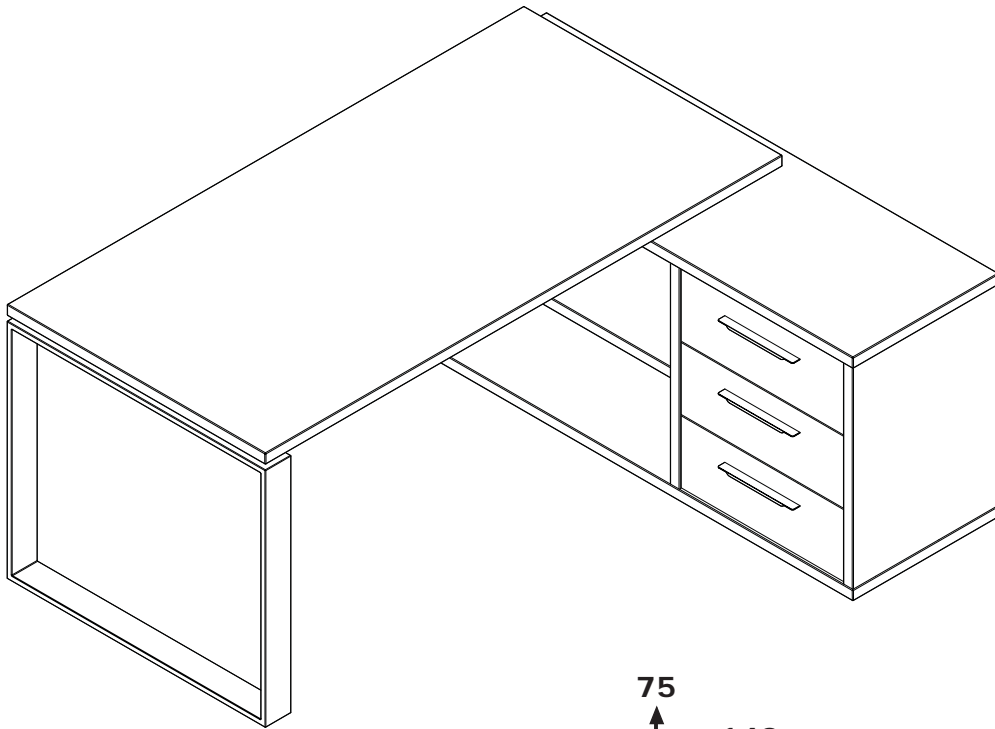
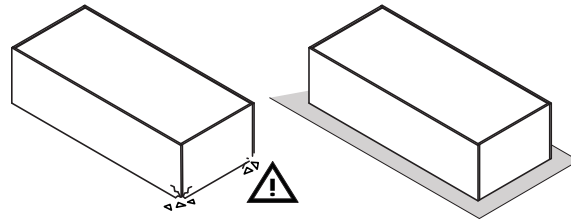
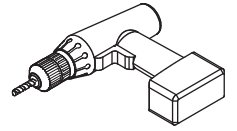
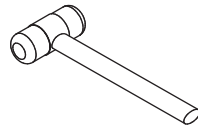
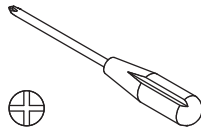
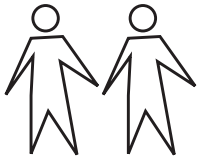


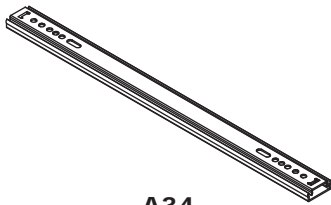
SR0768K56104



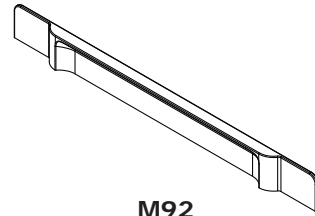
QF4471



BU3510



A34
x6

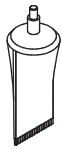


M92
x3

BU3642



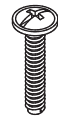
H54
x12



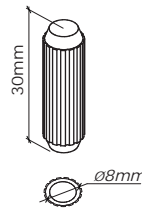
H14
x2



V5
x12



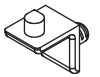
V32
x6



H1
x20



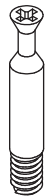
G67
x4



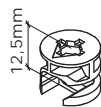
R40
x4



G128
x6



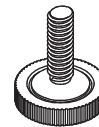
T28
x18



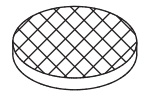
T97
x12



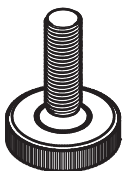
T98
x6



P34
x2



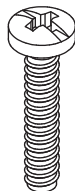
H139
x2



P14
x6



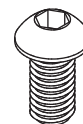
H118
x6



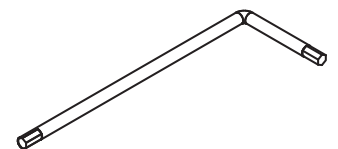
V118
x4



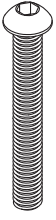
V38
x6



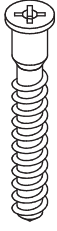
V143
x2



H138
x1



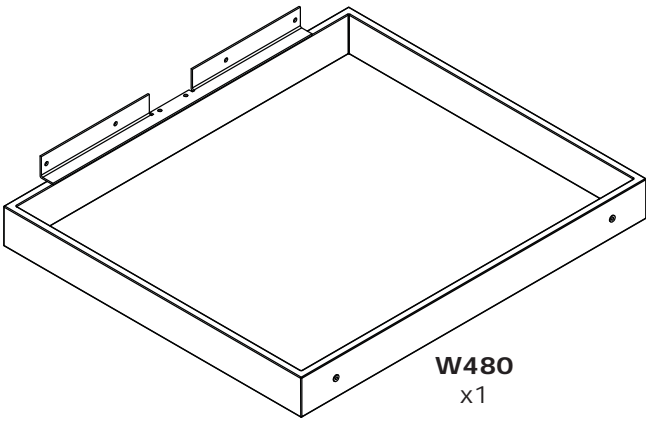
V153
x2



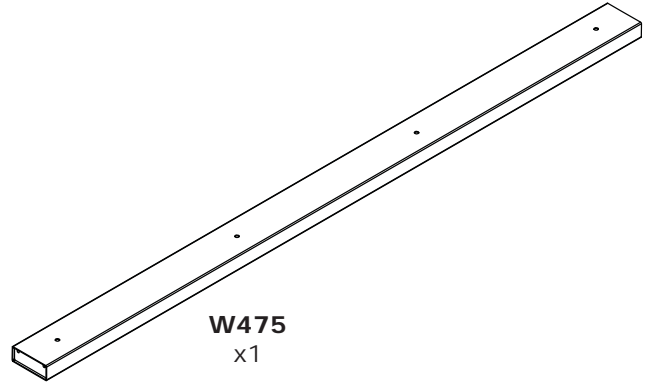
V45
x4



V115
x4

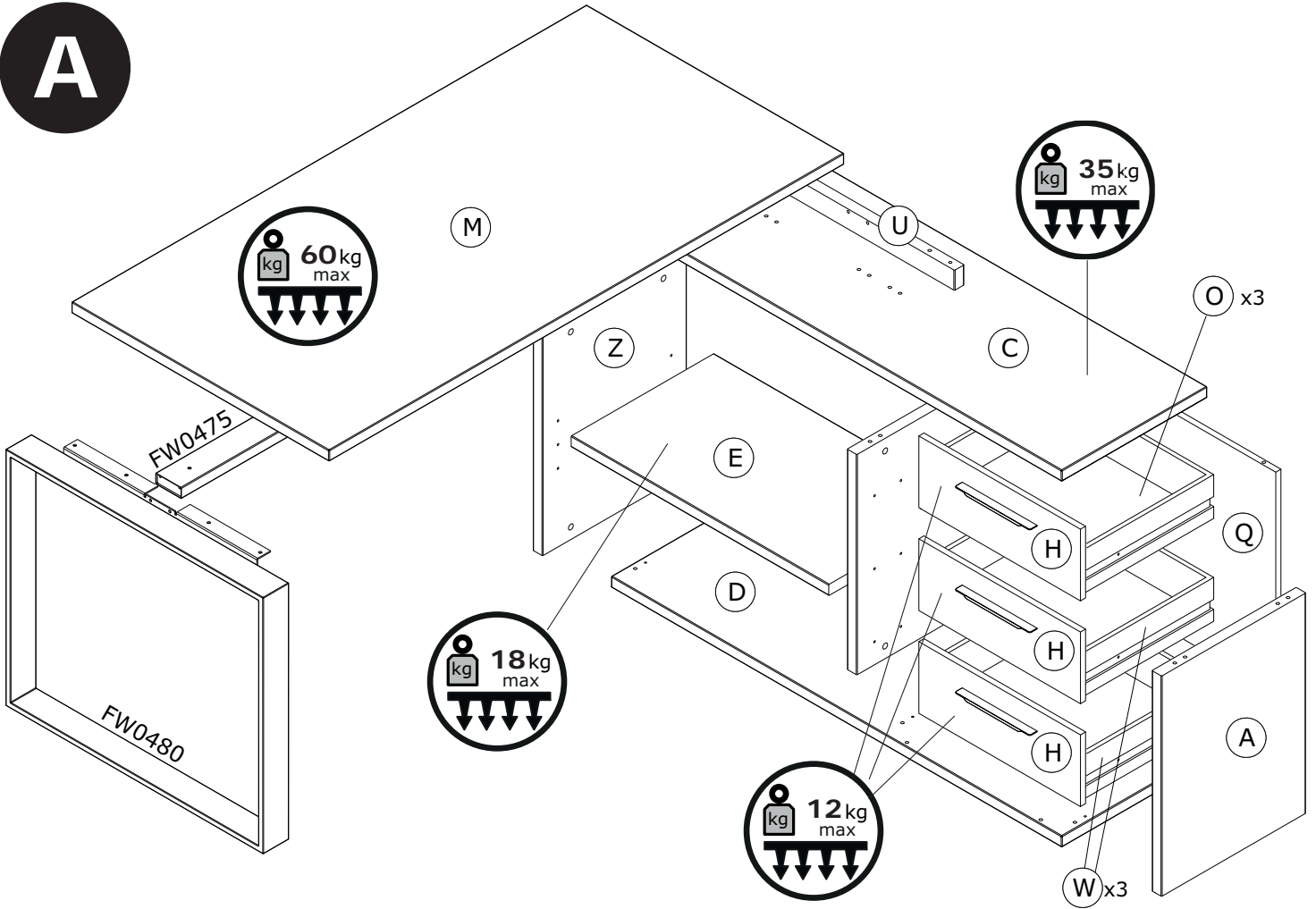


W480
x1

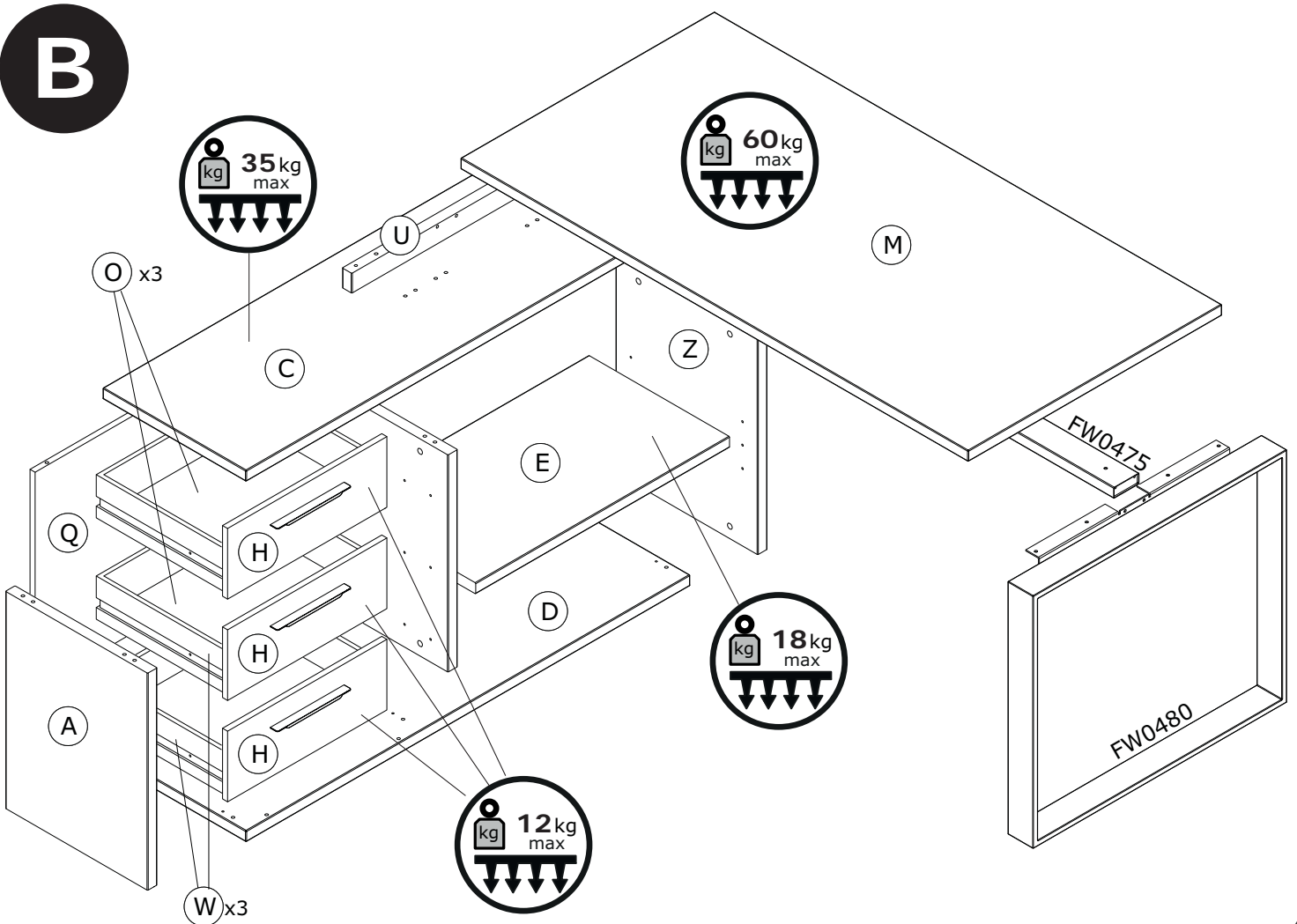


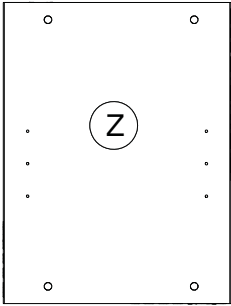
W475
x1

A

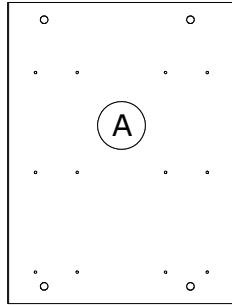


B

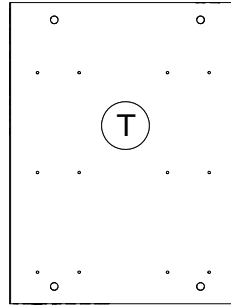




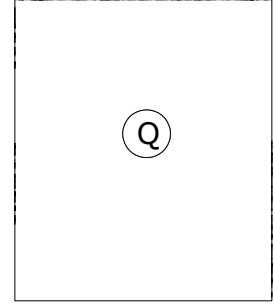
FI7840
593x448x30mm



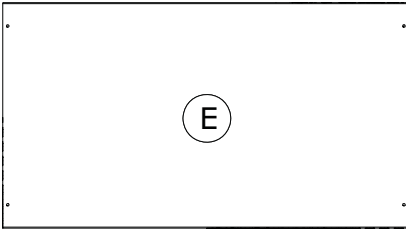
FI7839
593x448x30mm



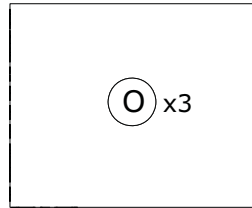
TR1964
593x448x30mm



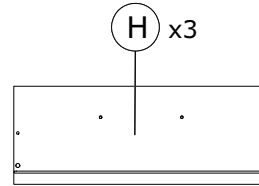
SH2992
593x506x16mm



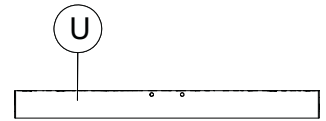
PI6736
800x444x30mm



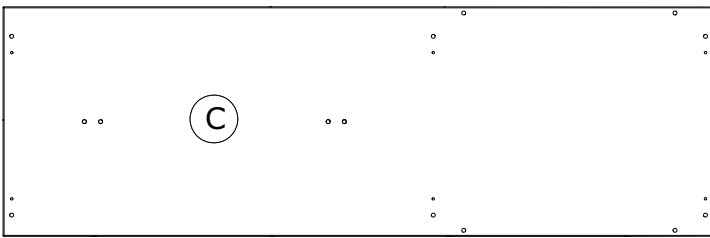
SH2944
485x401x3mm



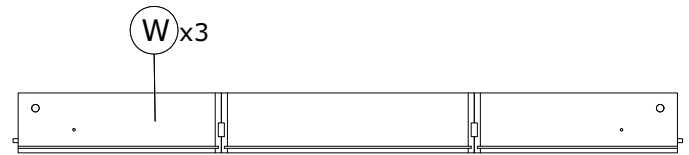
CS2817
502x193x16mm



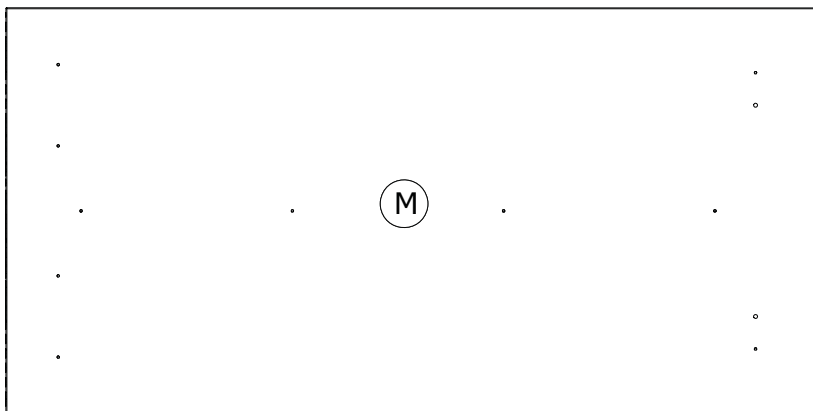
FS2901
542x600x30mm



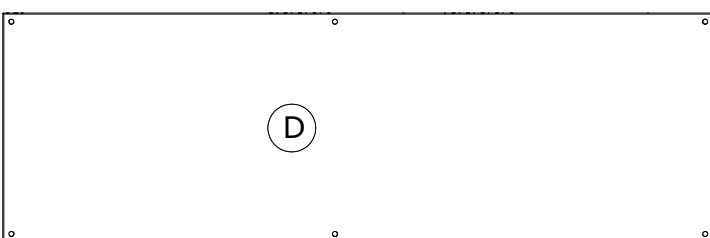
CA3220
1400x452x30mm



OF0412
400x498x400mm H.118mm

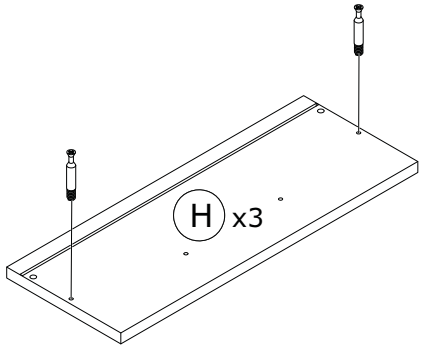
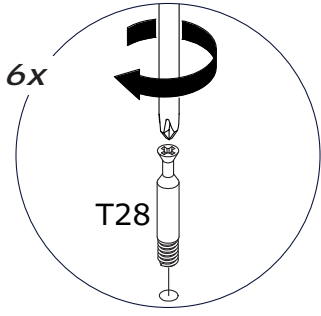
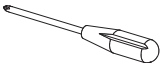


CA3219
1600x800x30mm

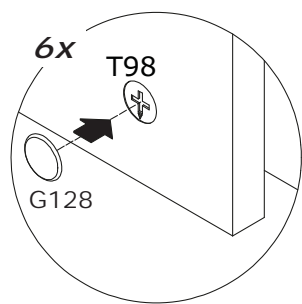
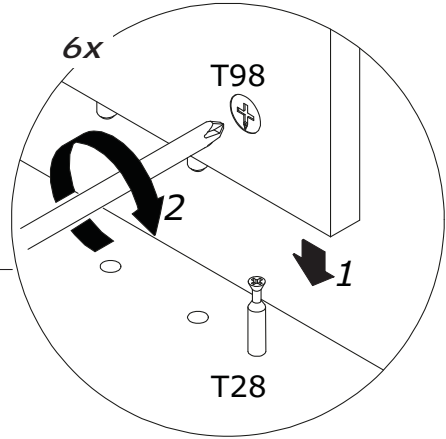
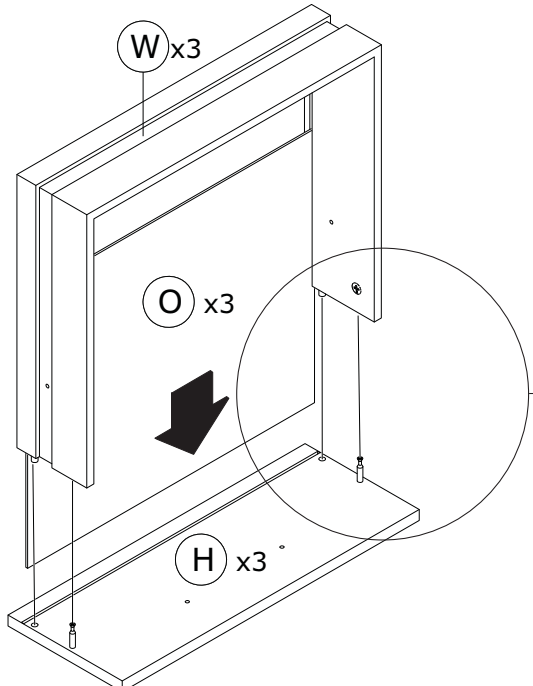
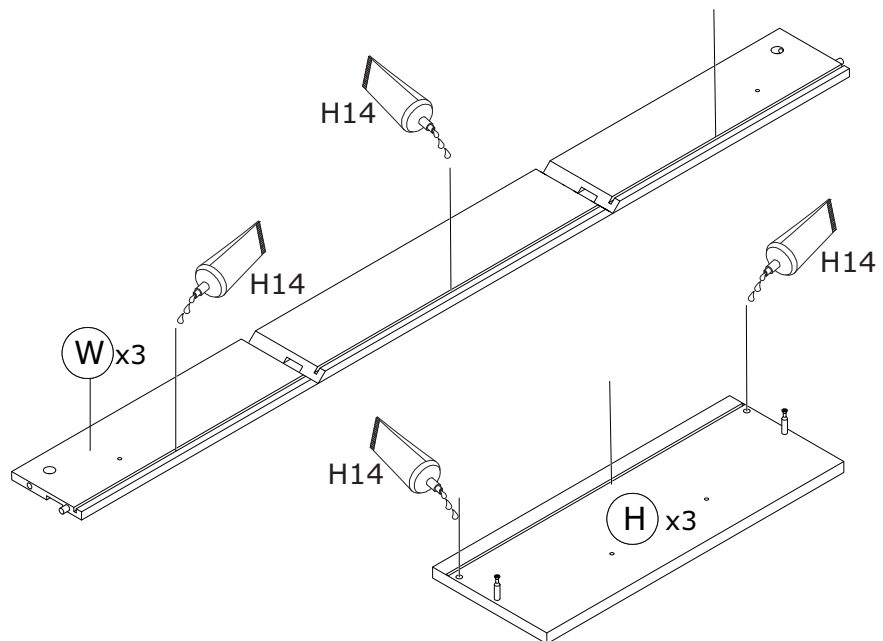
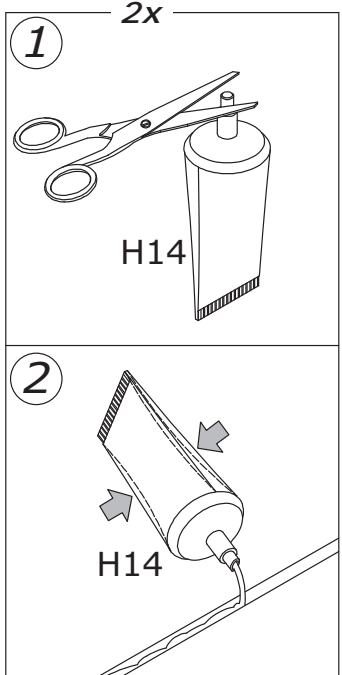
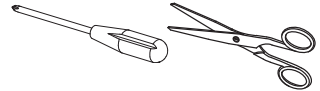


BA1962
1400x452x30mm

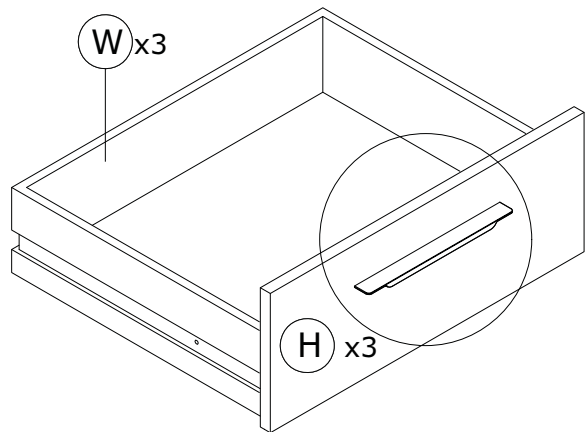
1



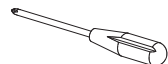
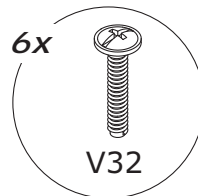
2



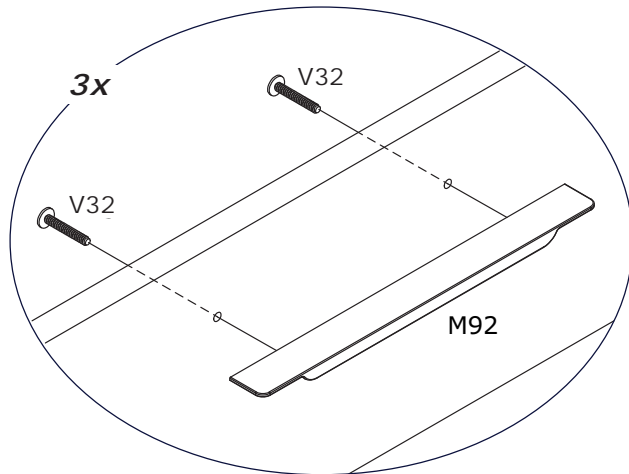
3



6x

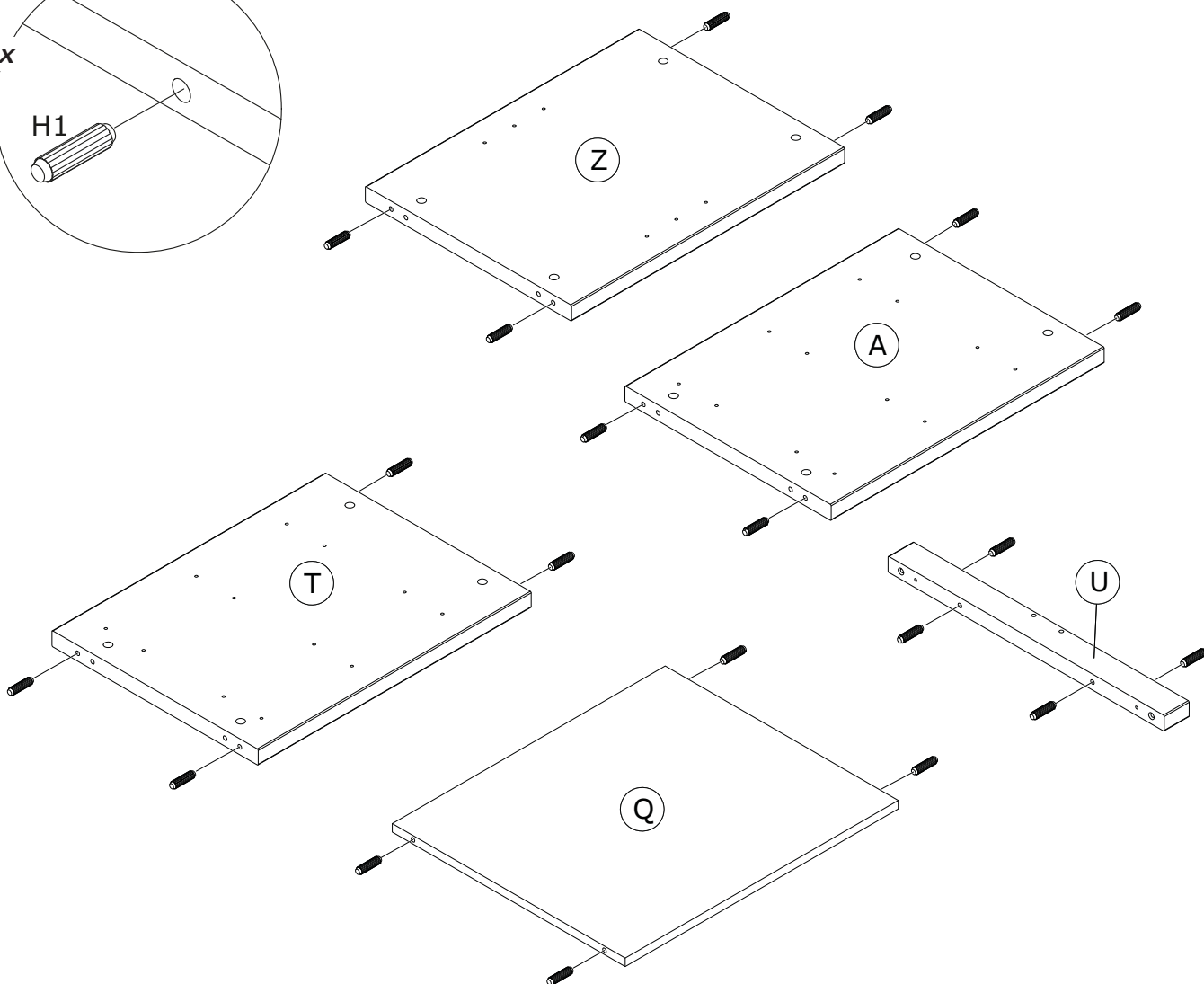
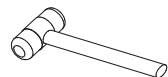
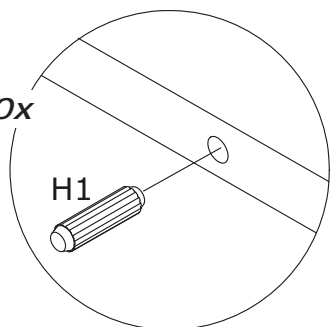


3x

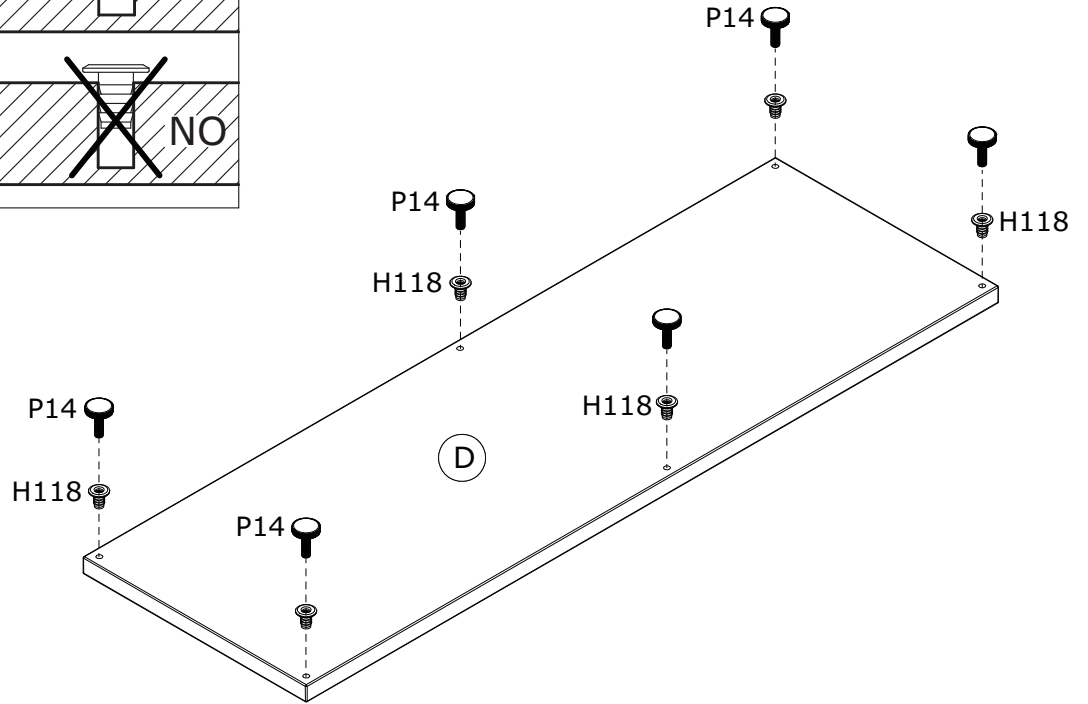
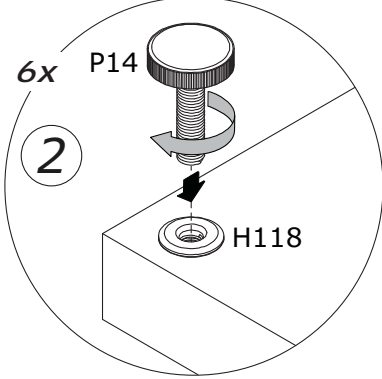
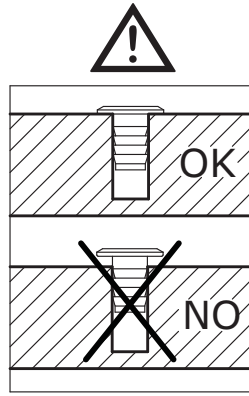
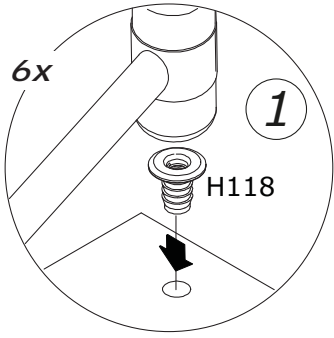
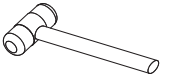


4

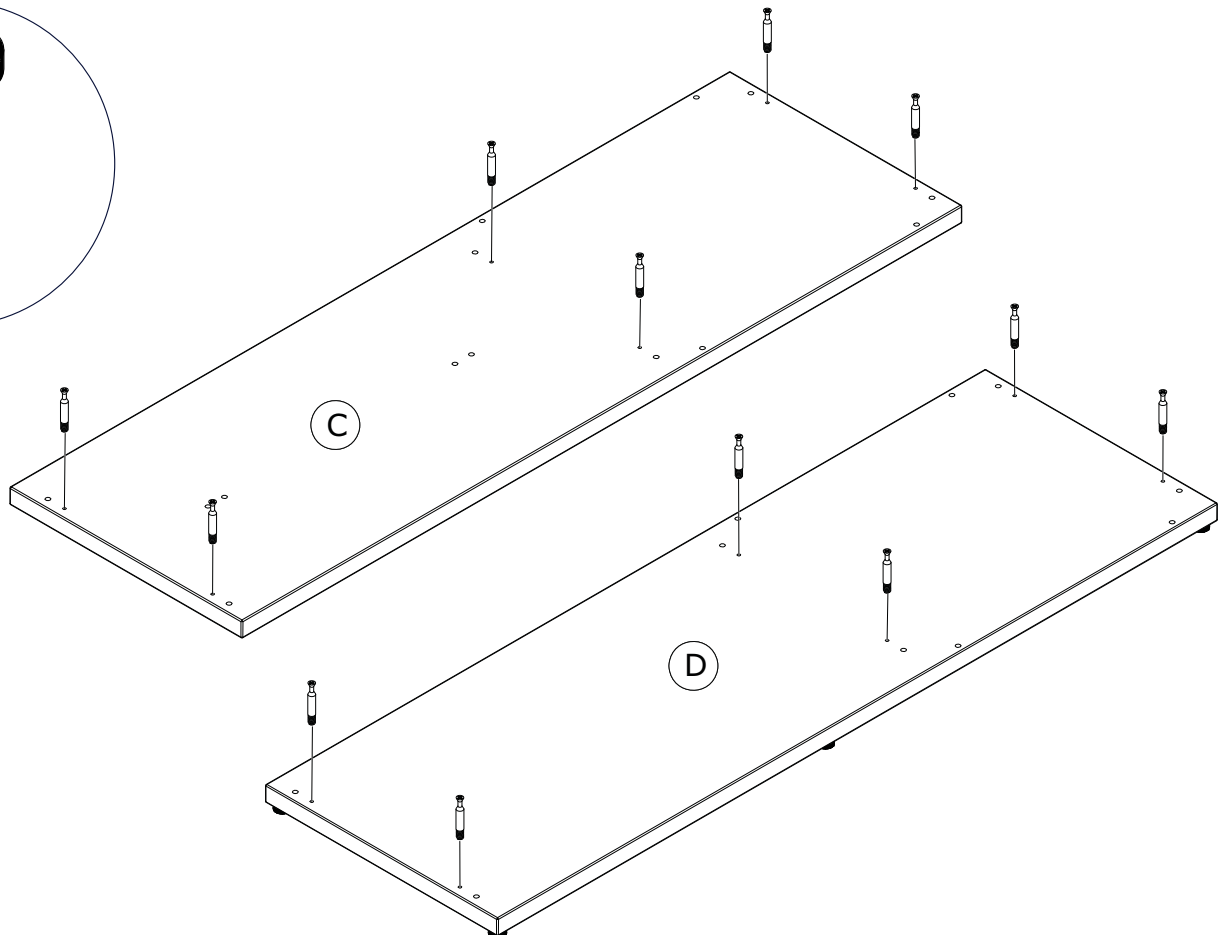
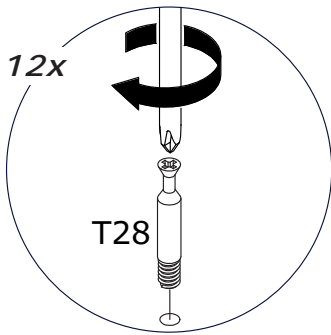
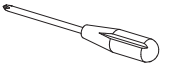
20x



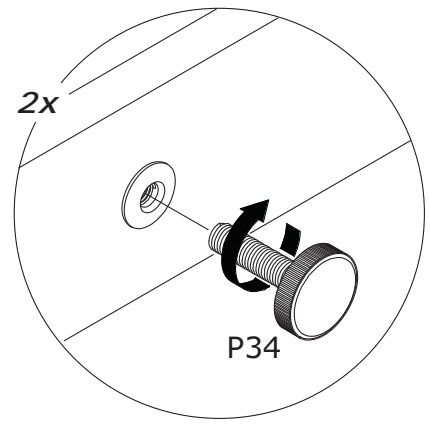
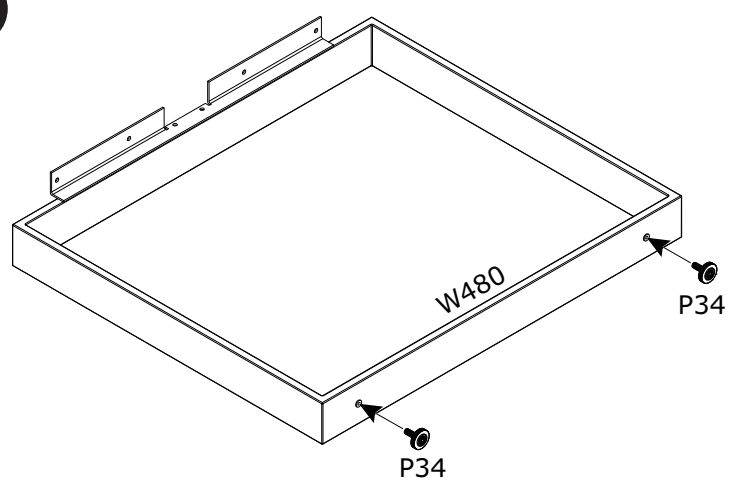
5



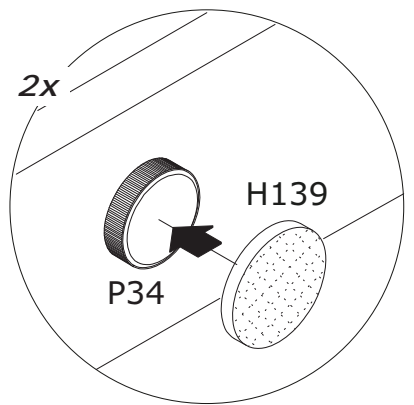
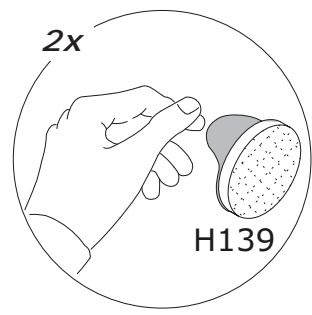
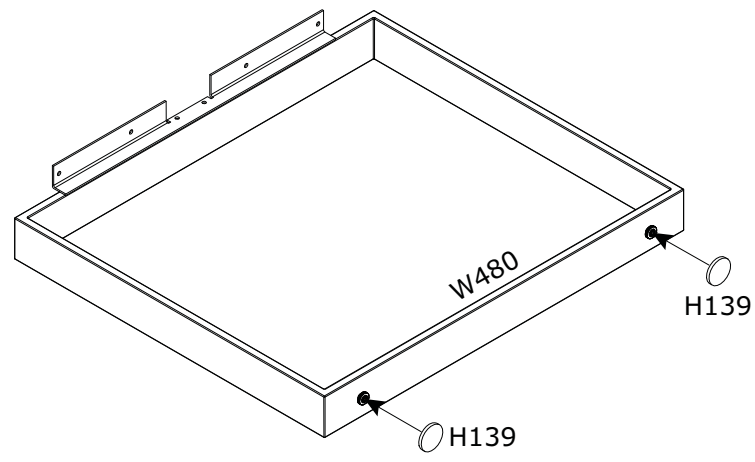
6



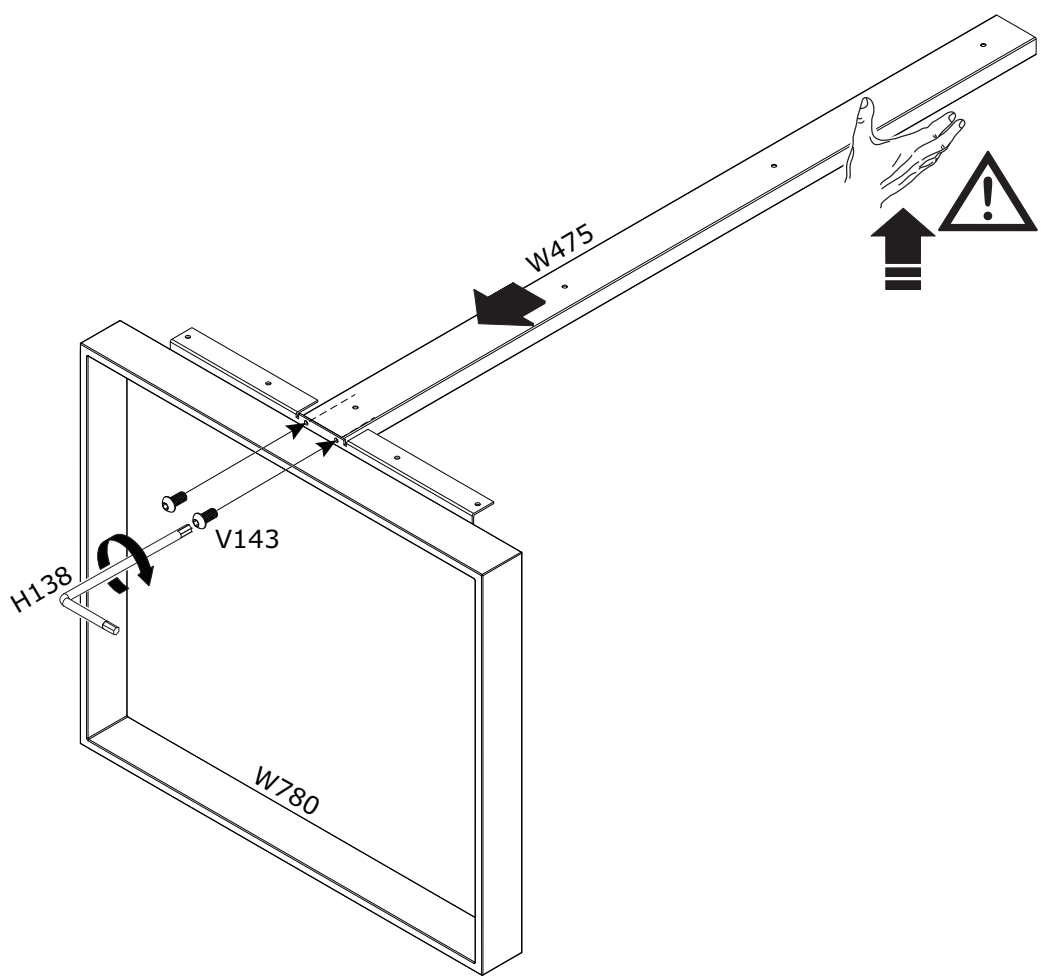
7



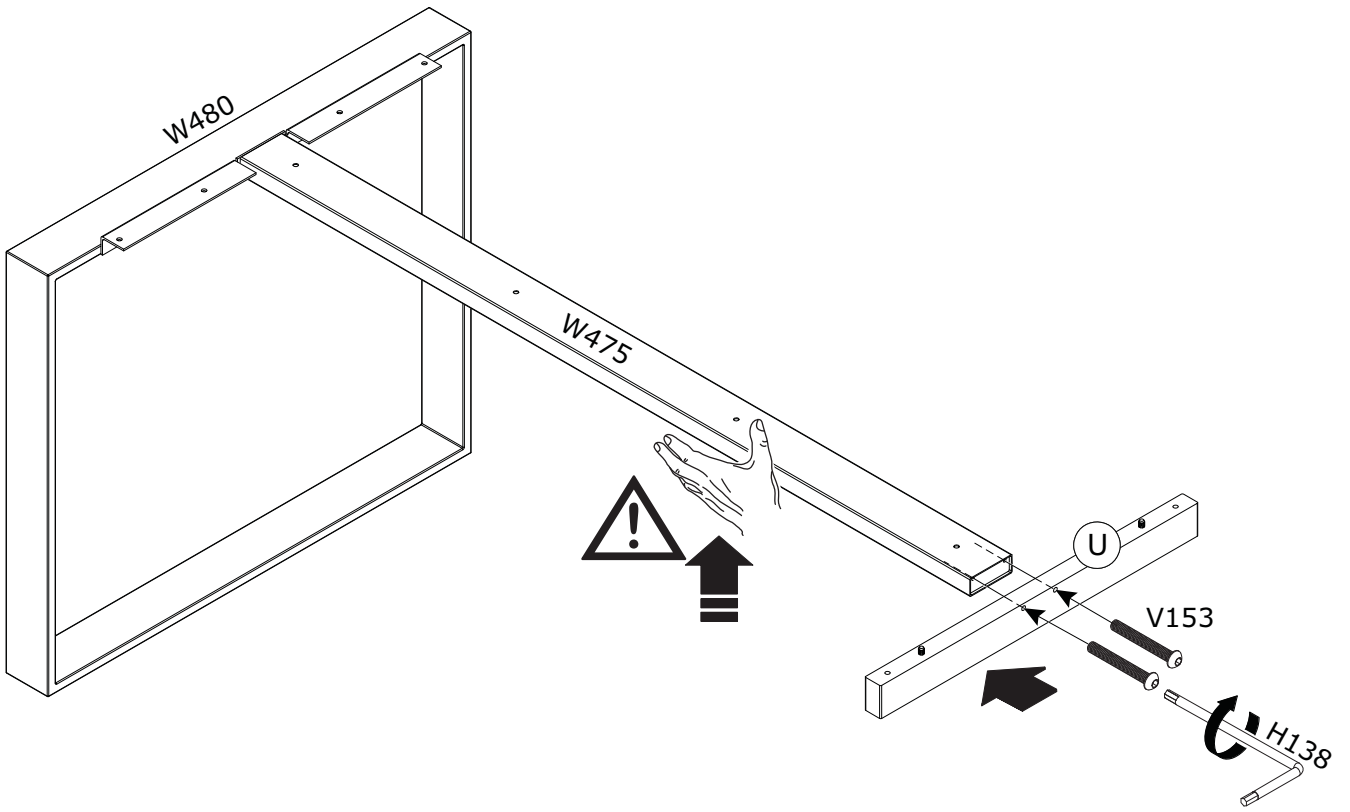
8



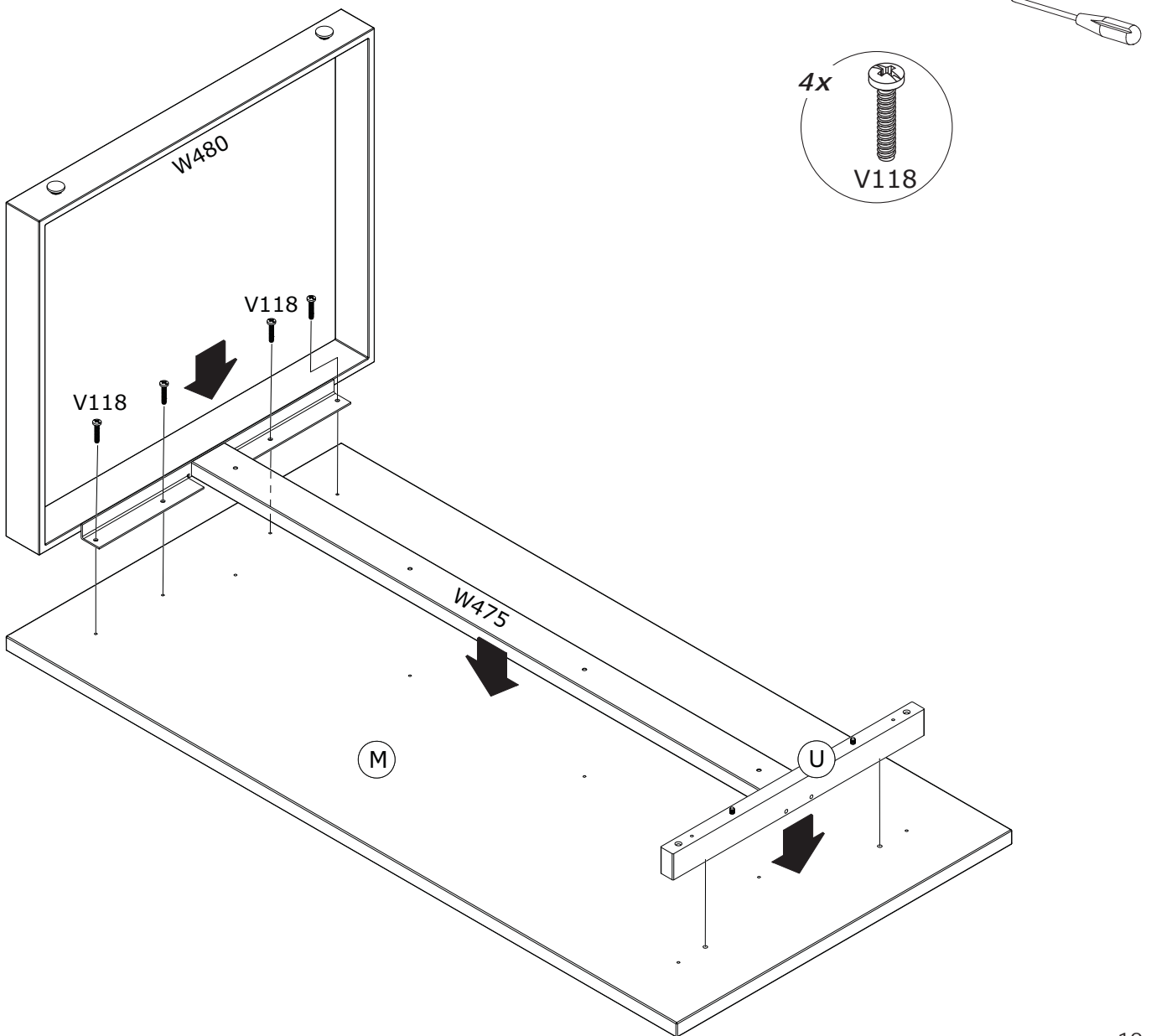
9

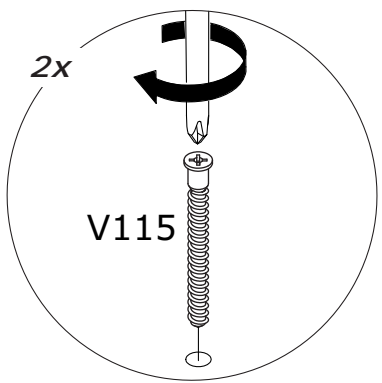
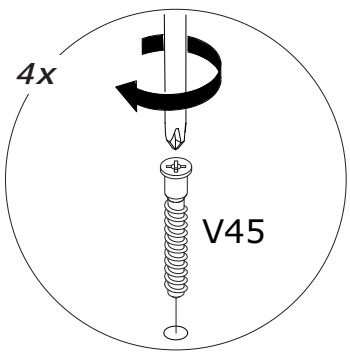
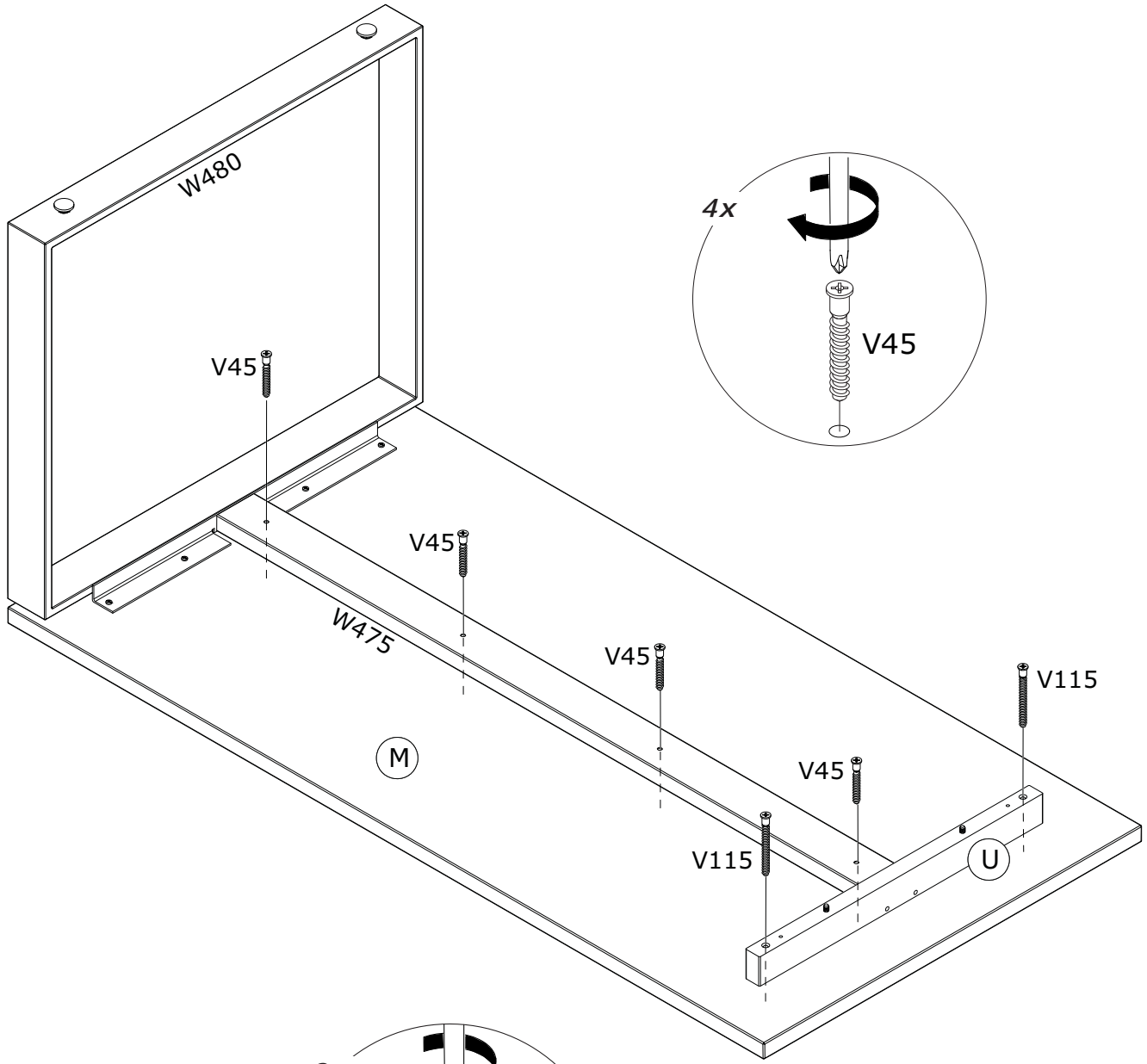
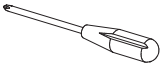


10

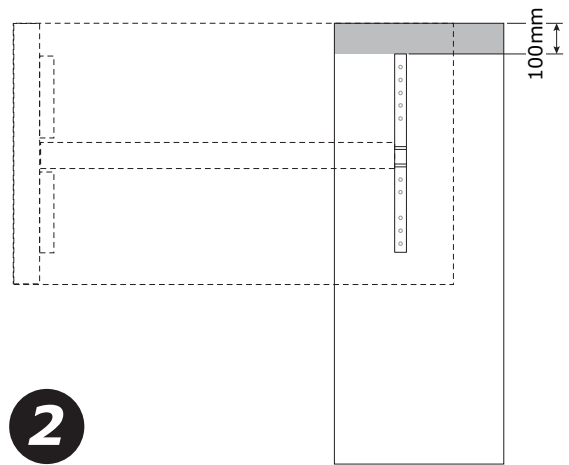
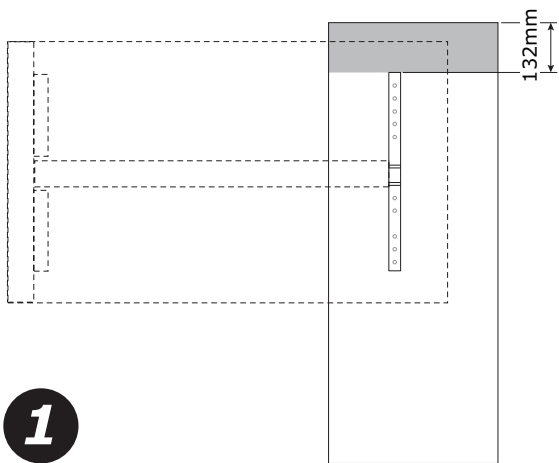
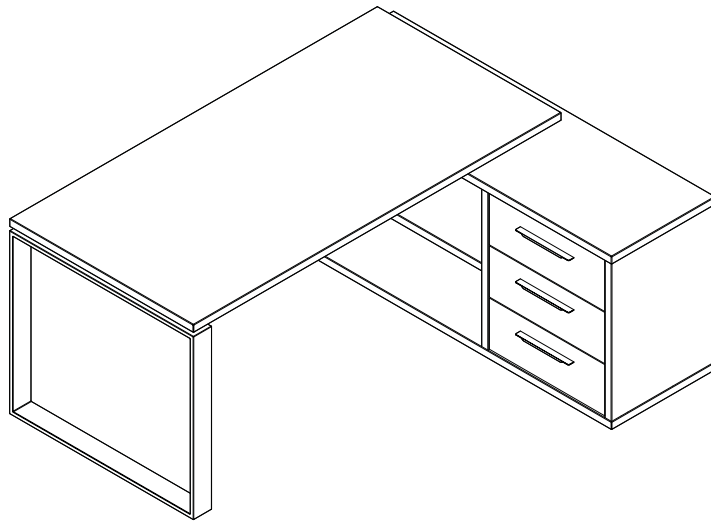


11

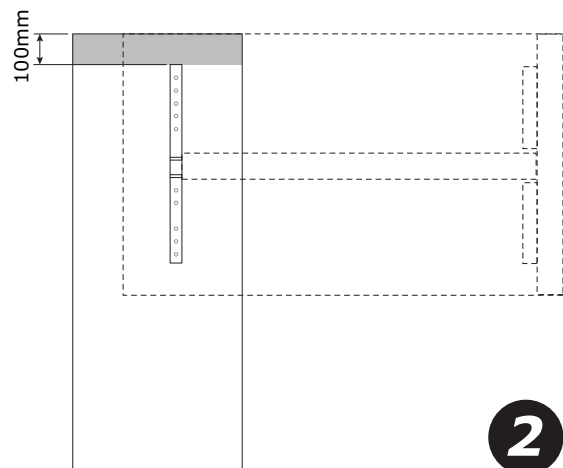
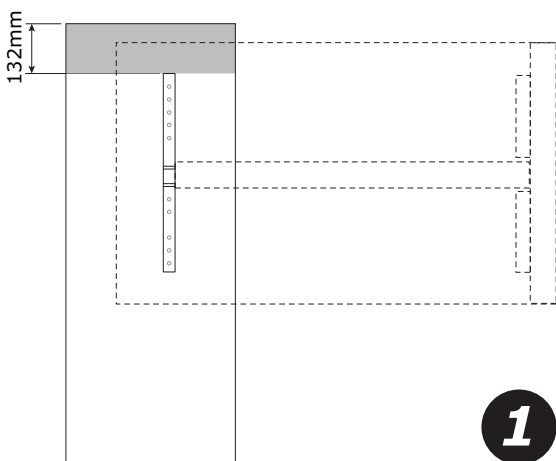
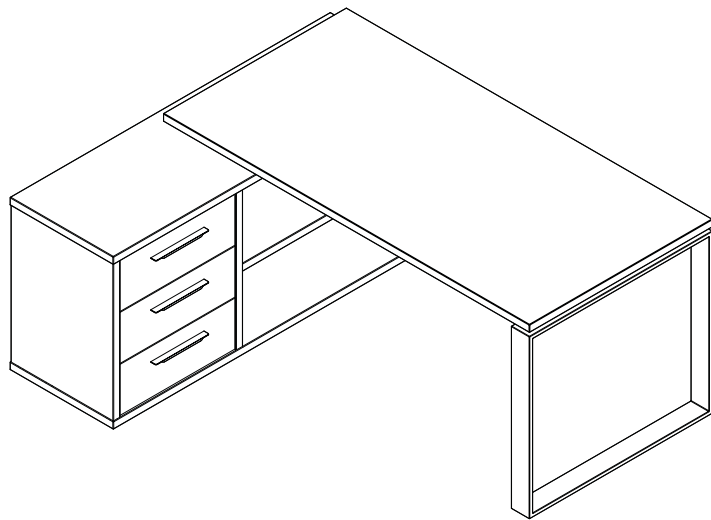


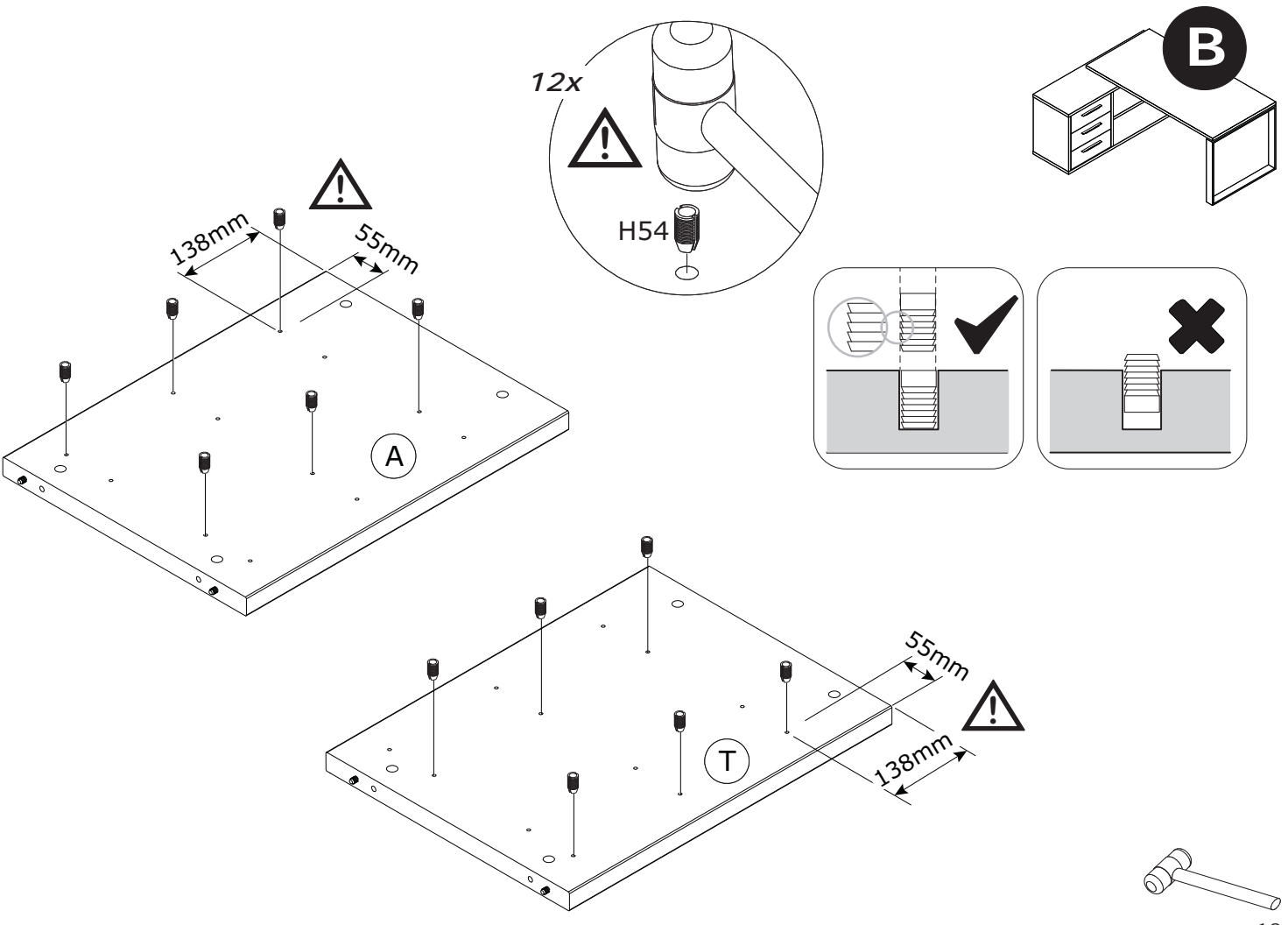
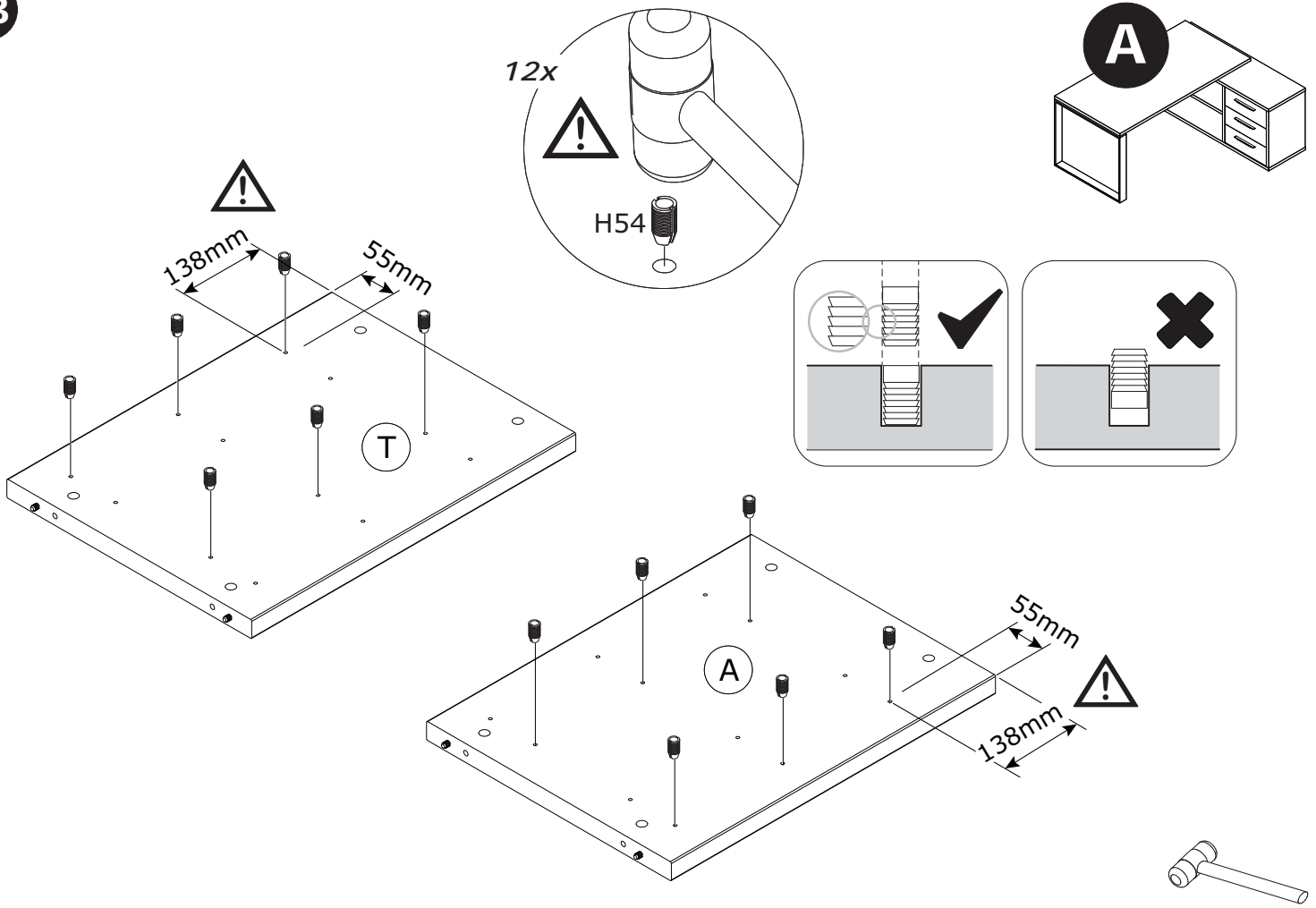


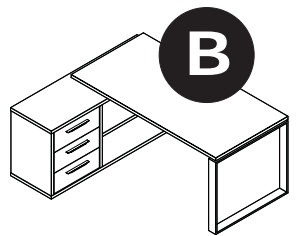
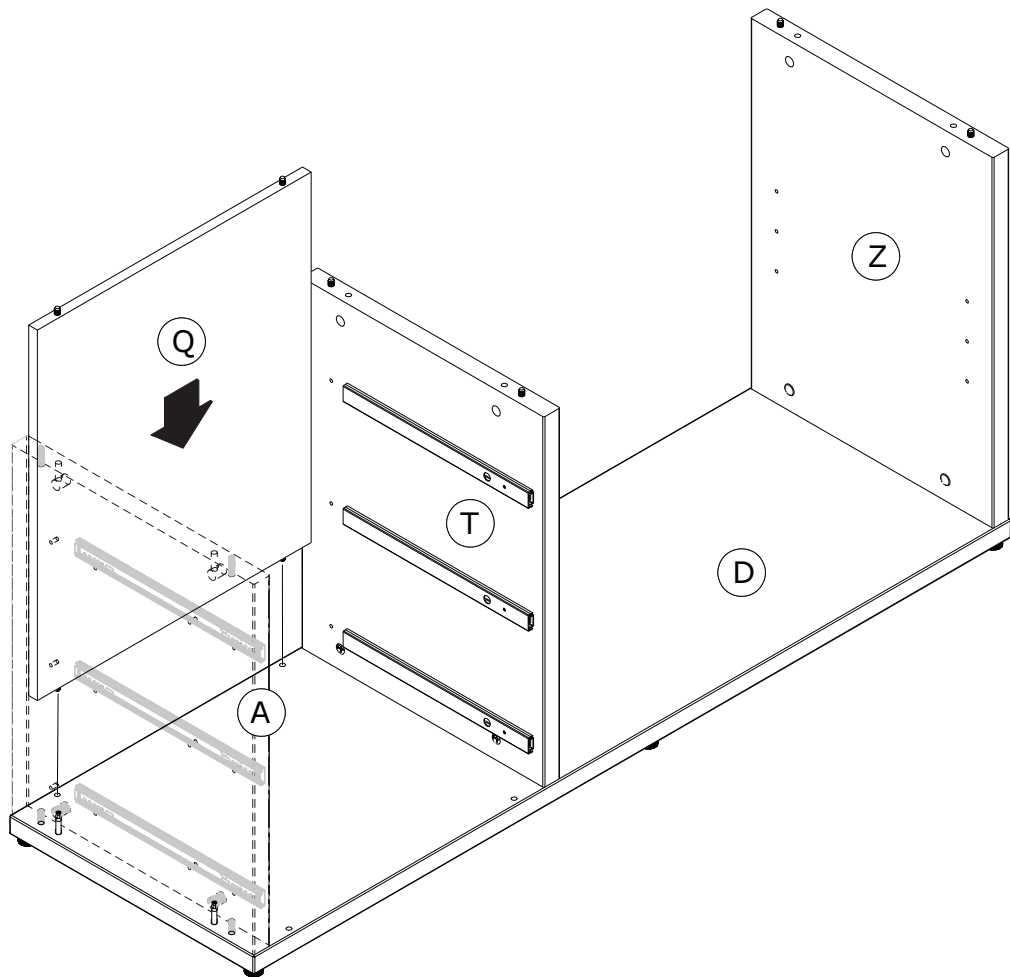
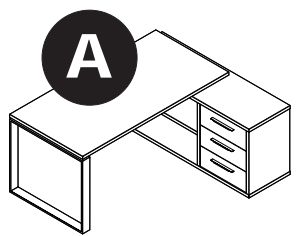
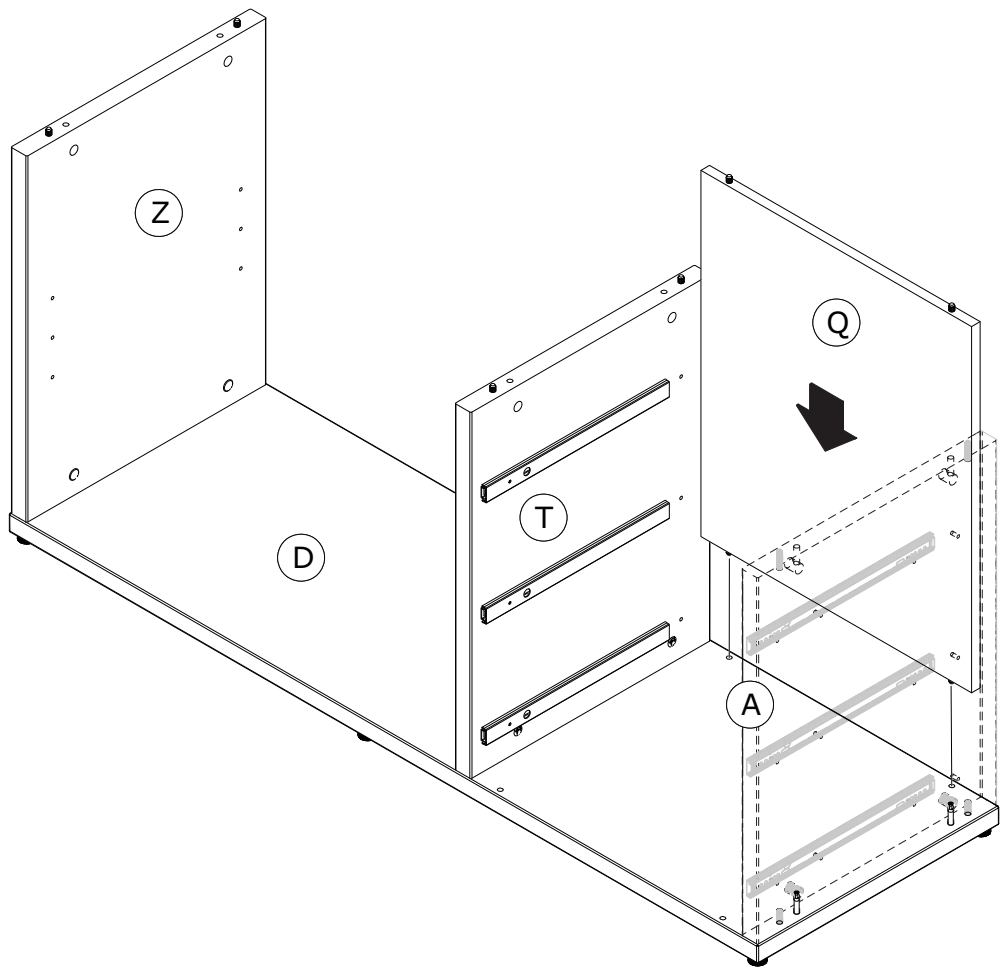
A

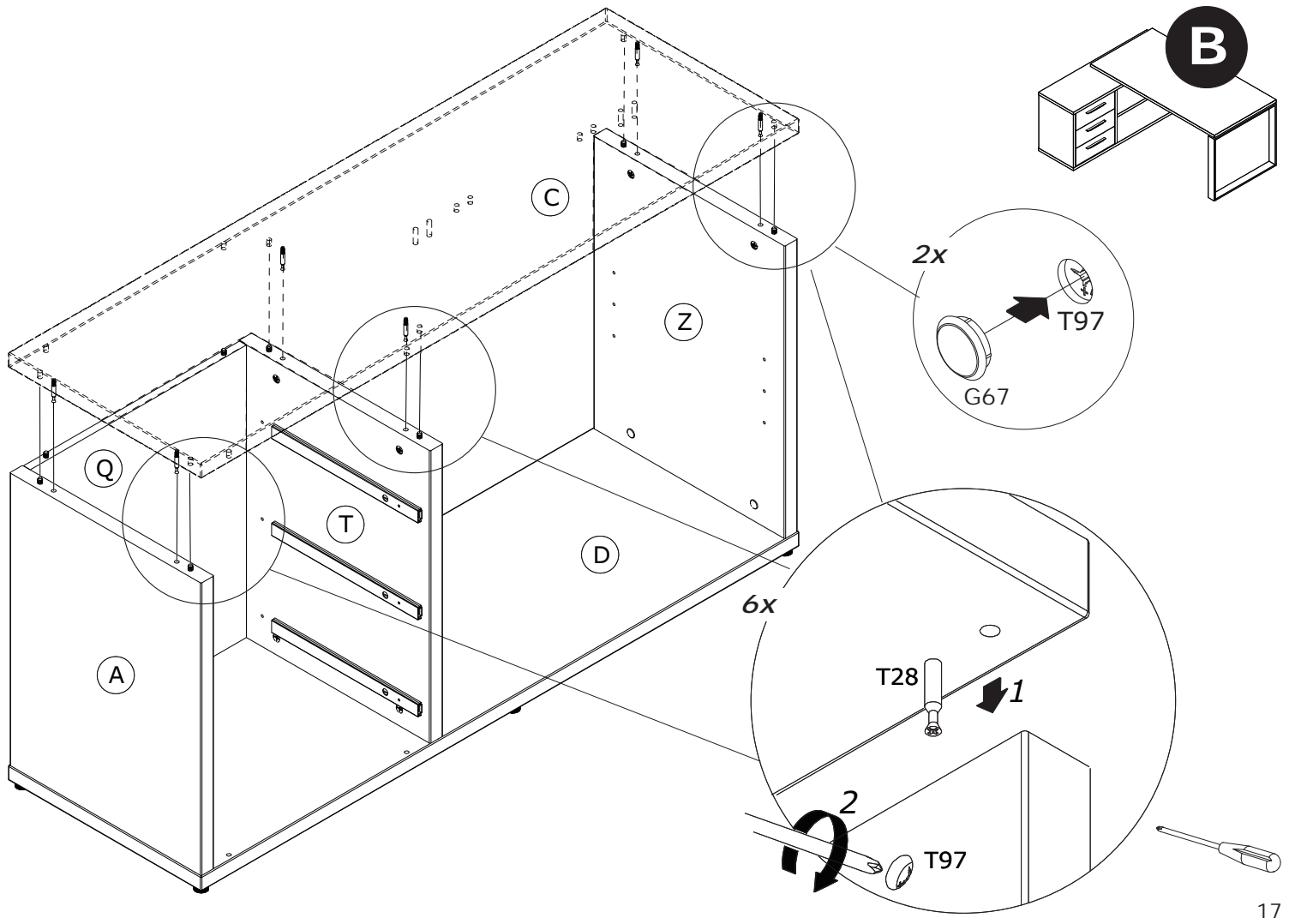
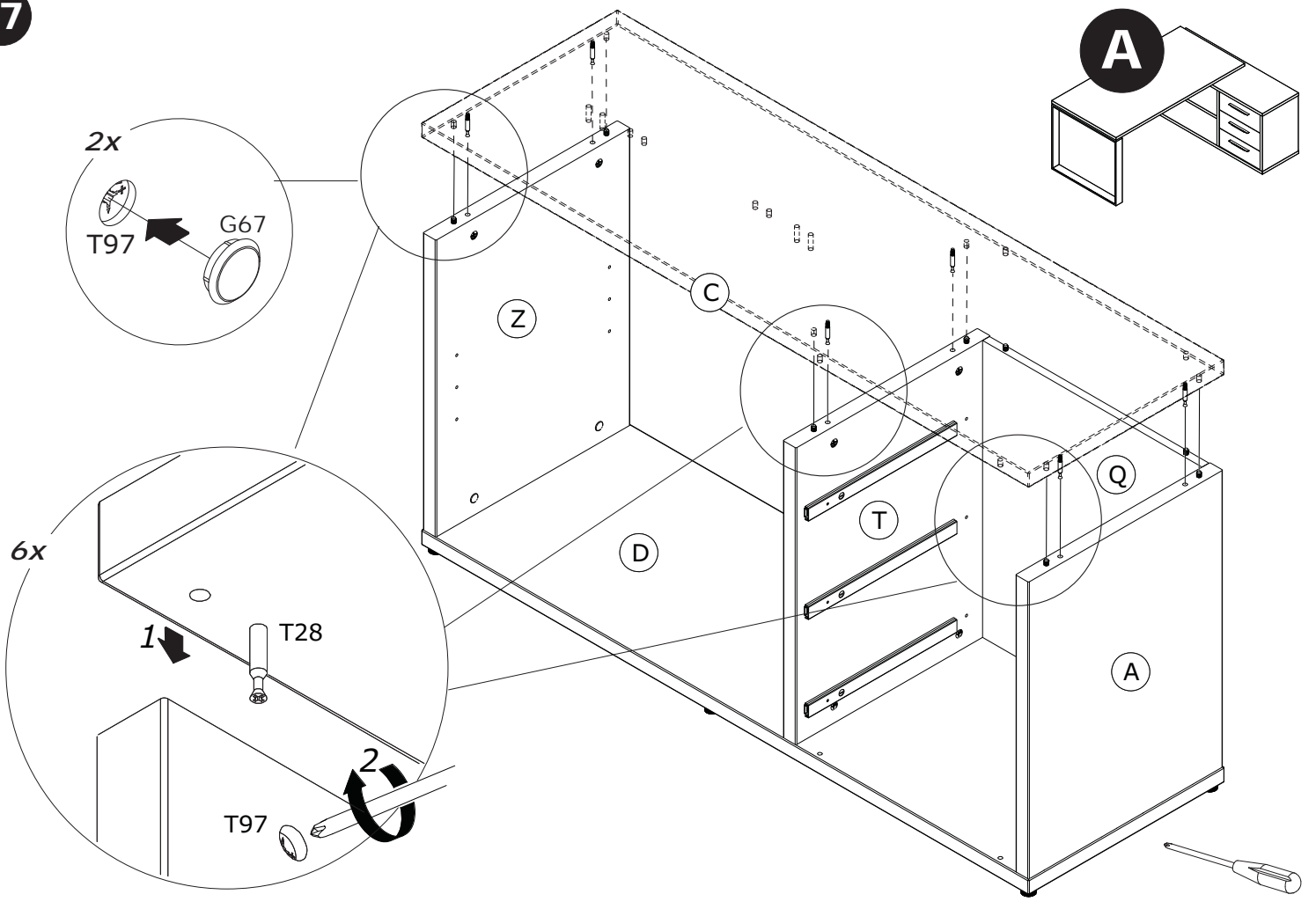


B

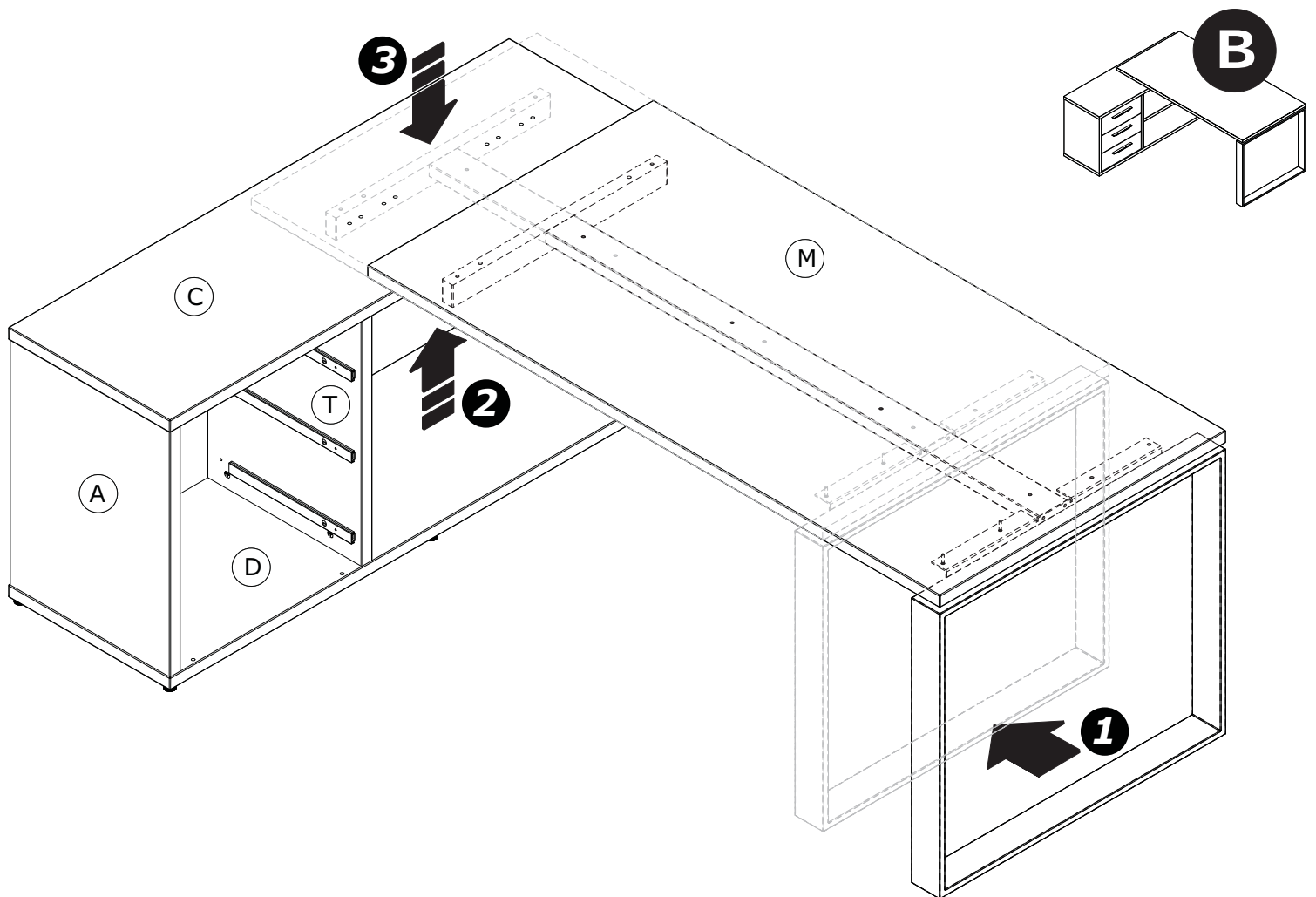
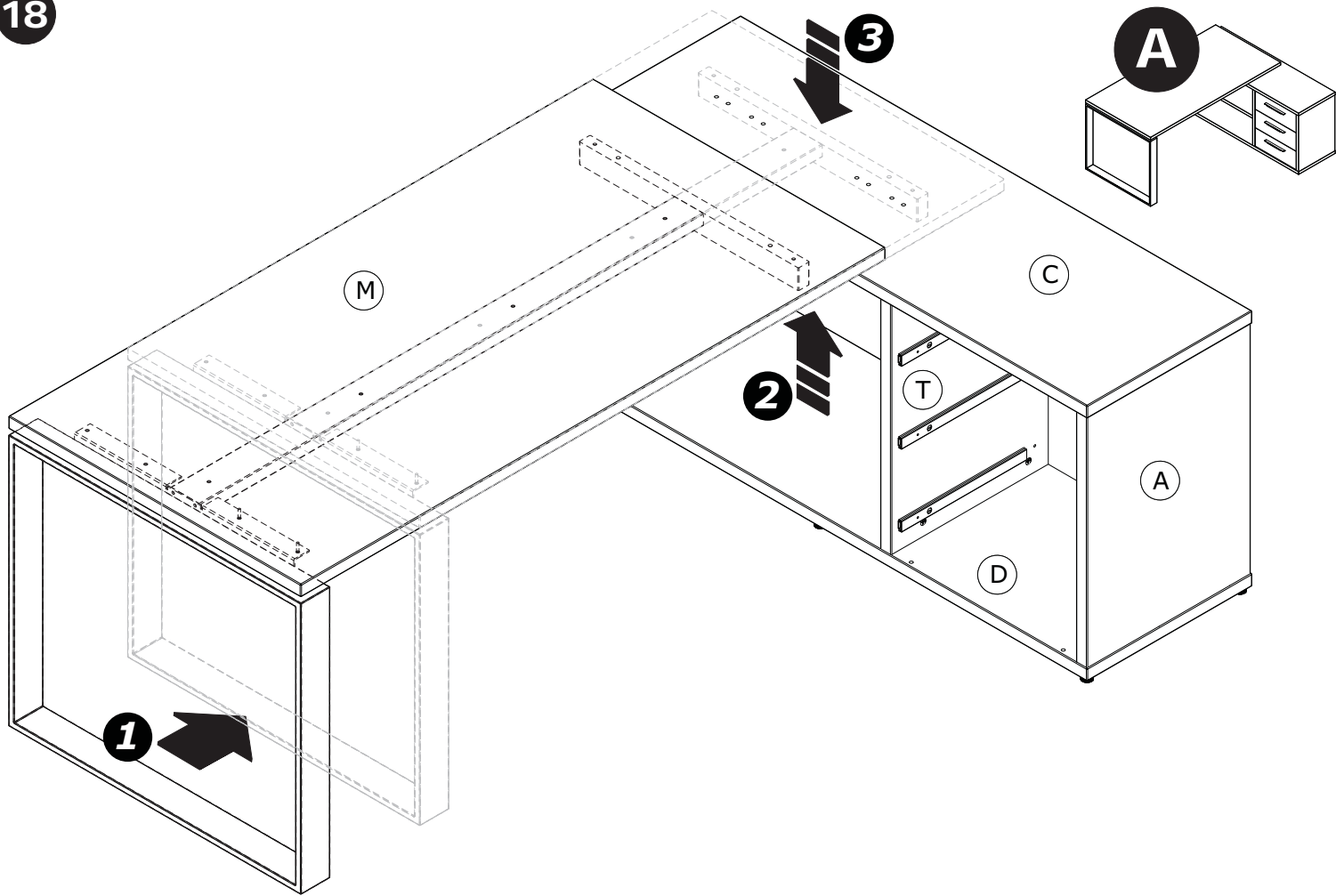


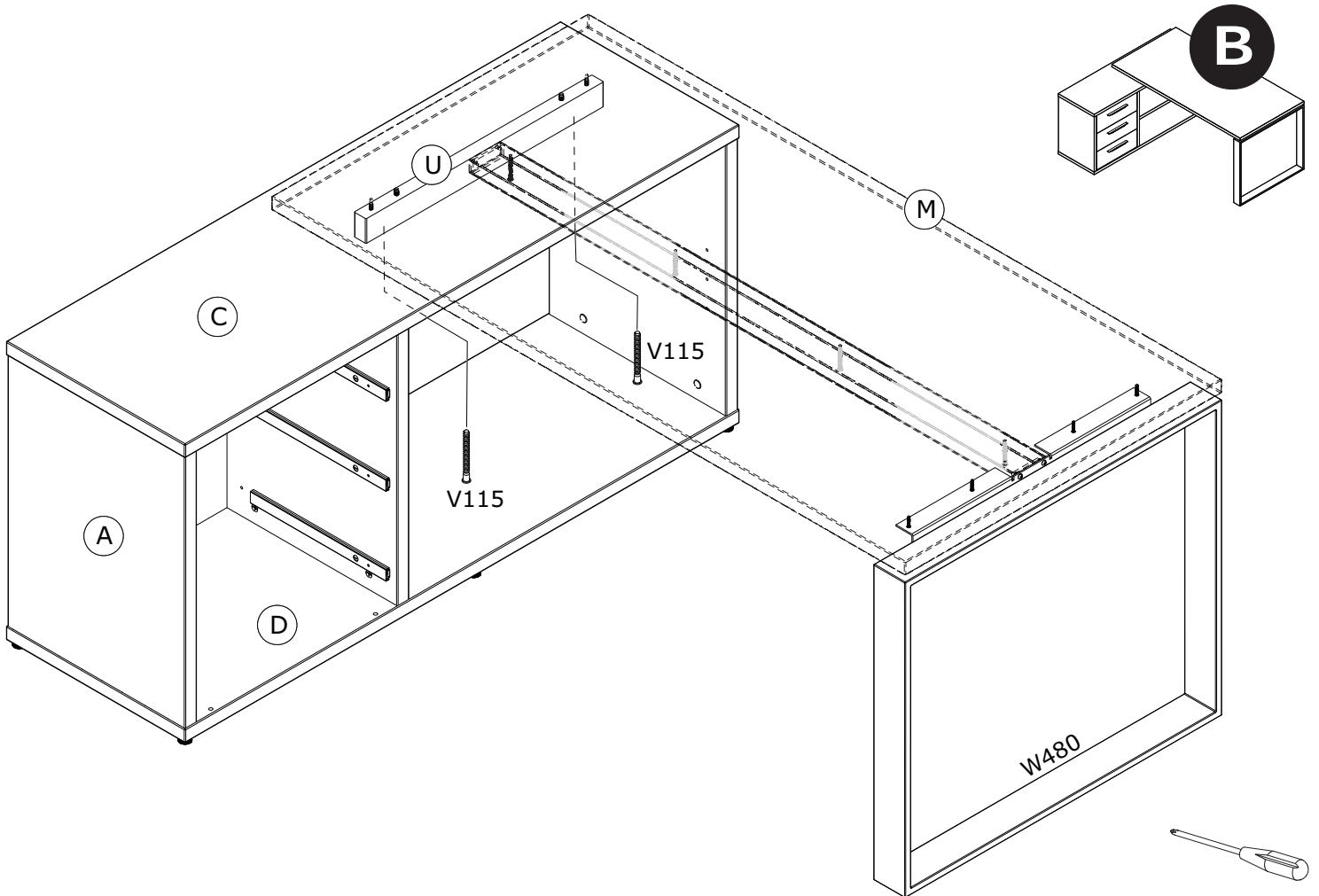
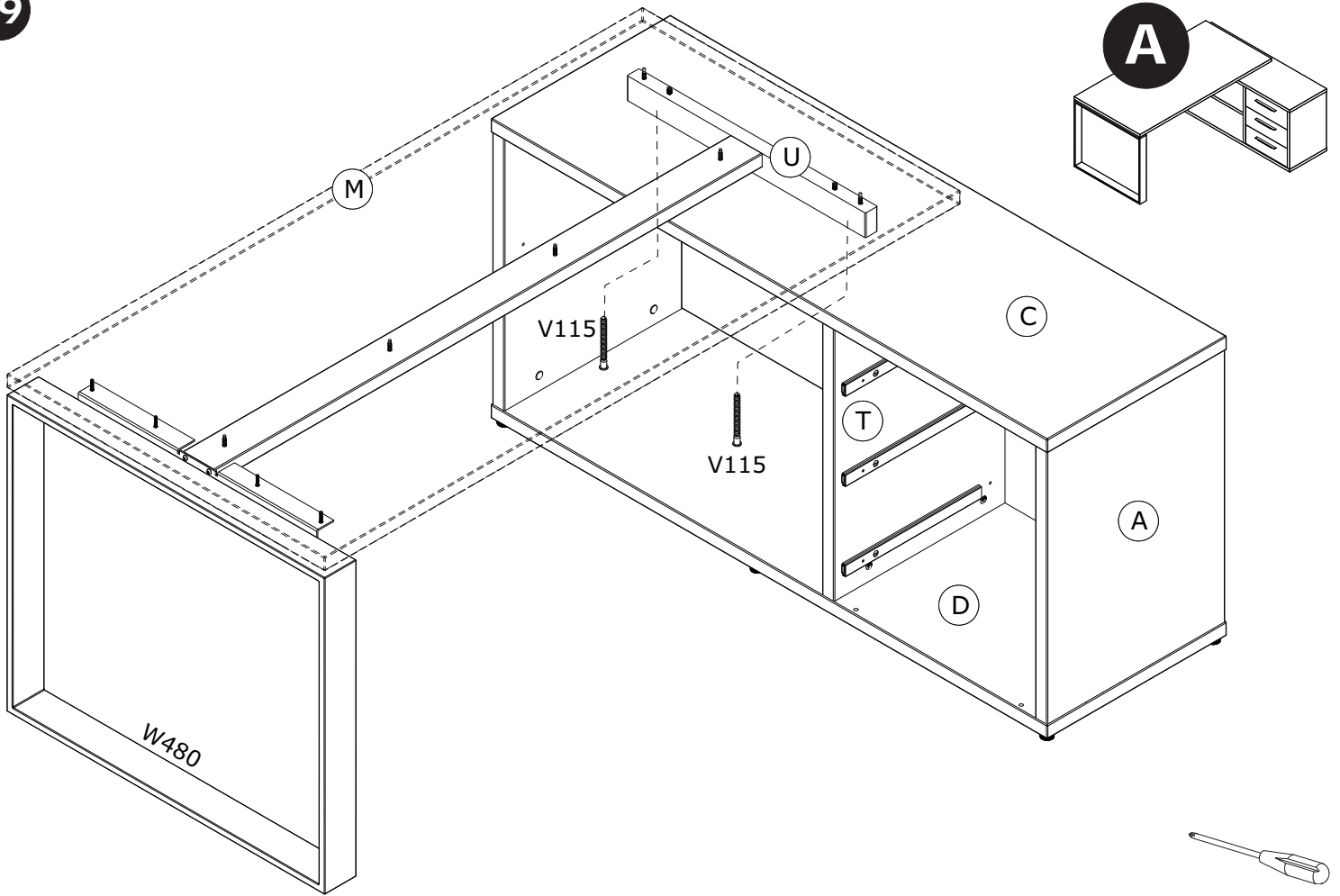


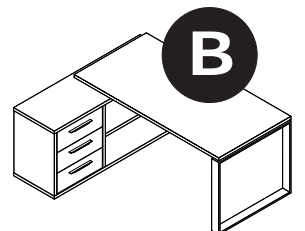
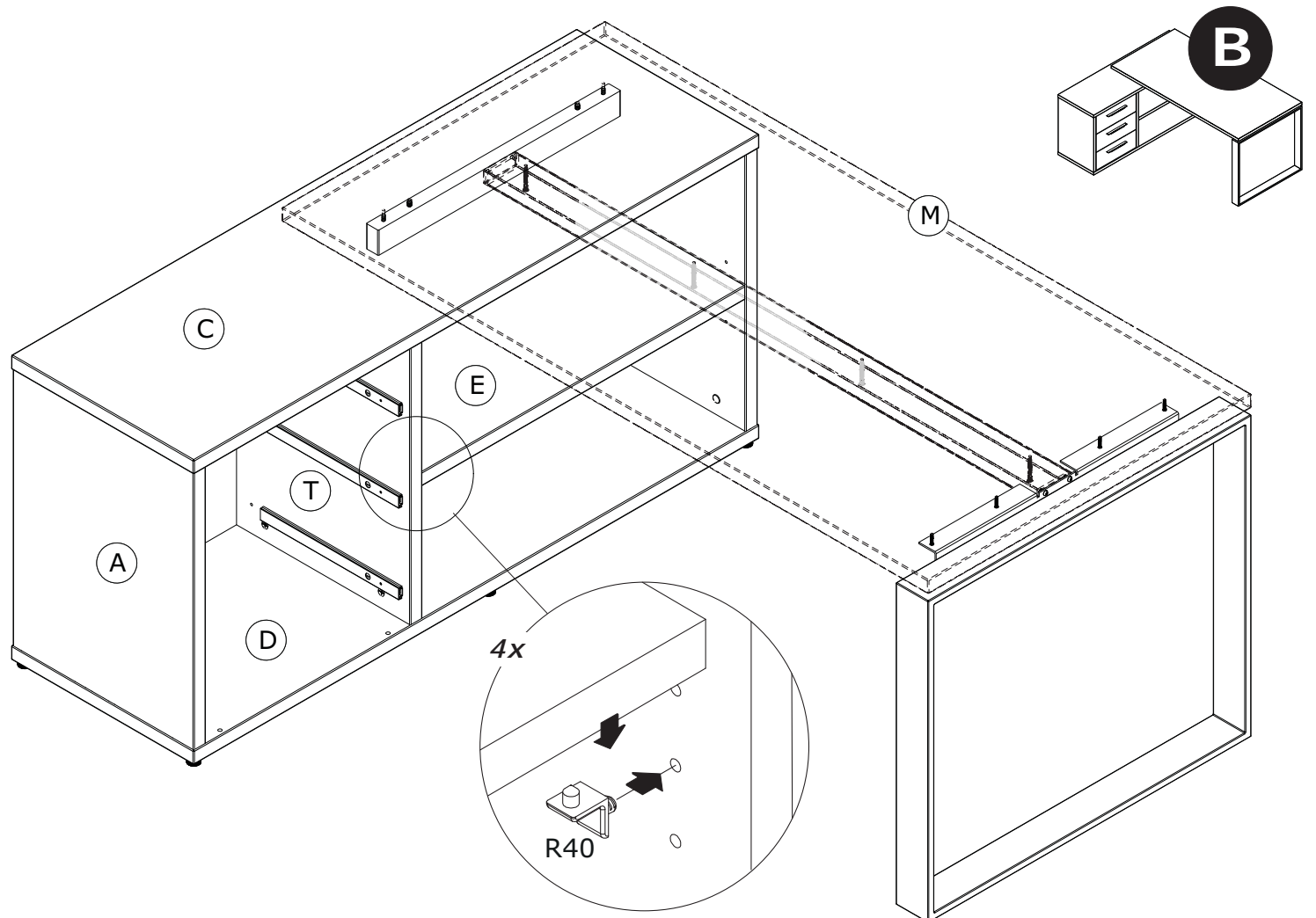
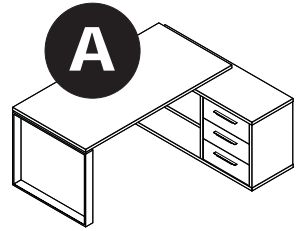
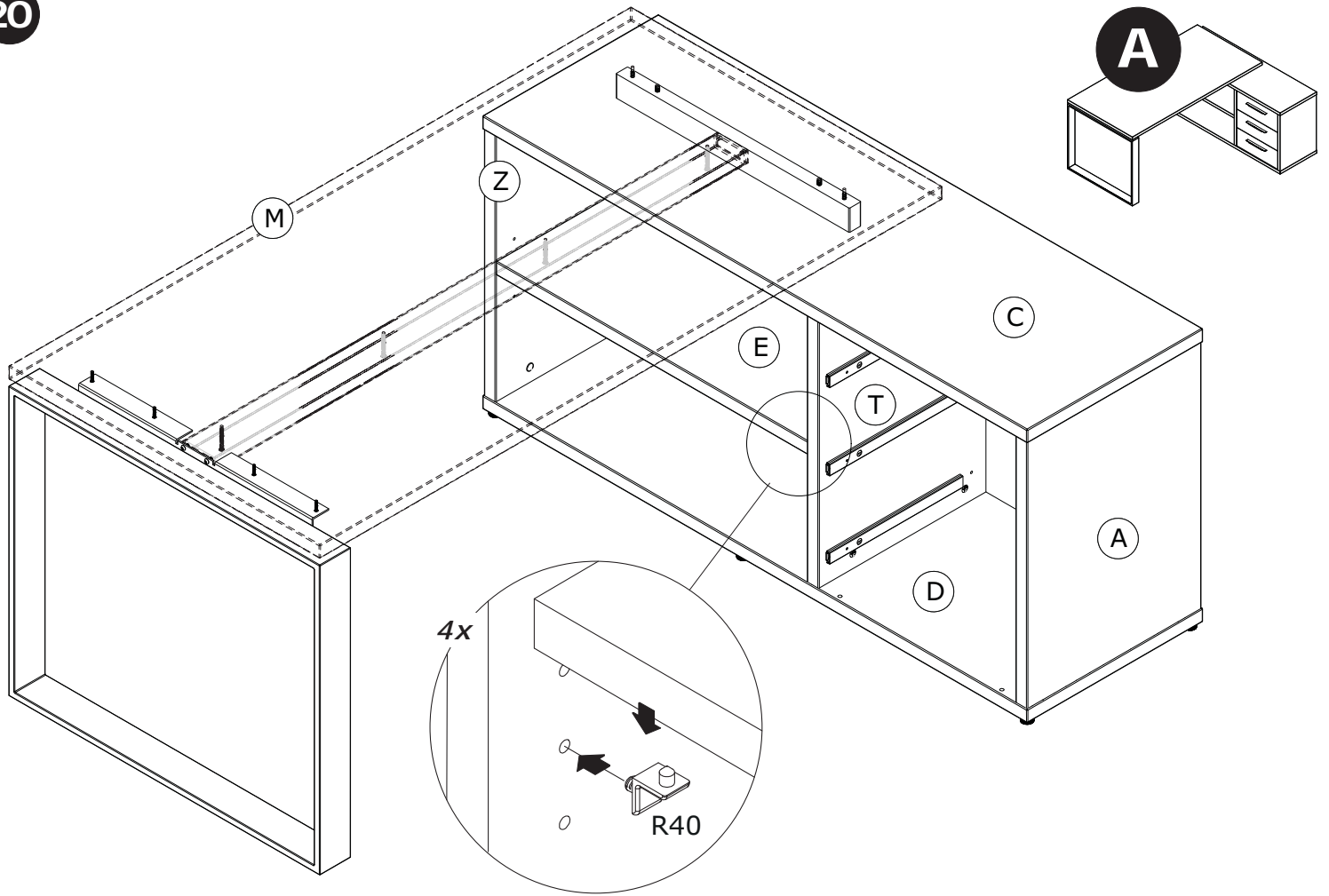




18



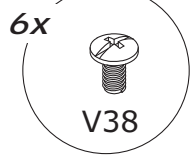
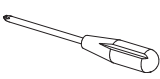
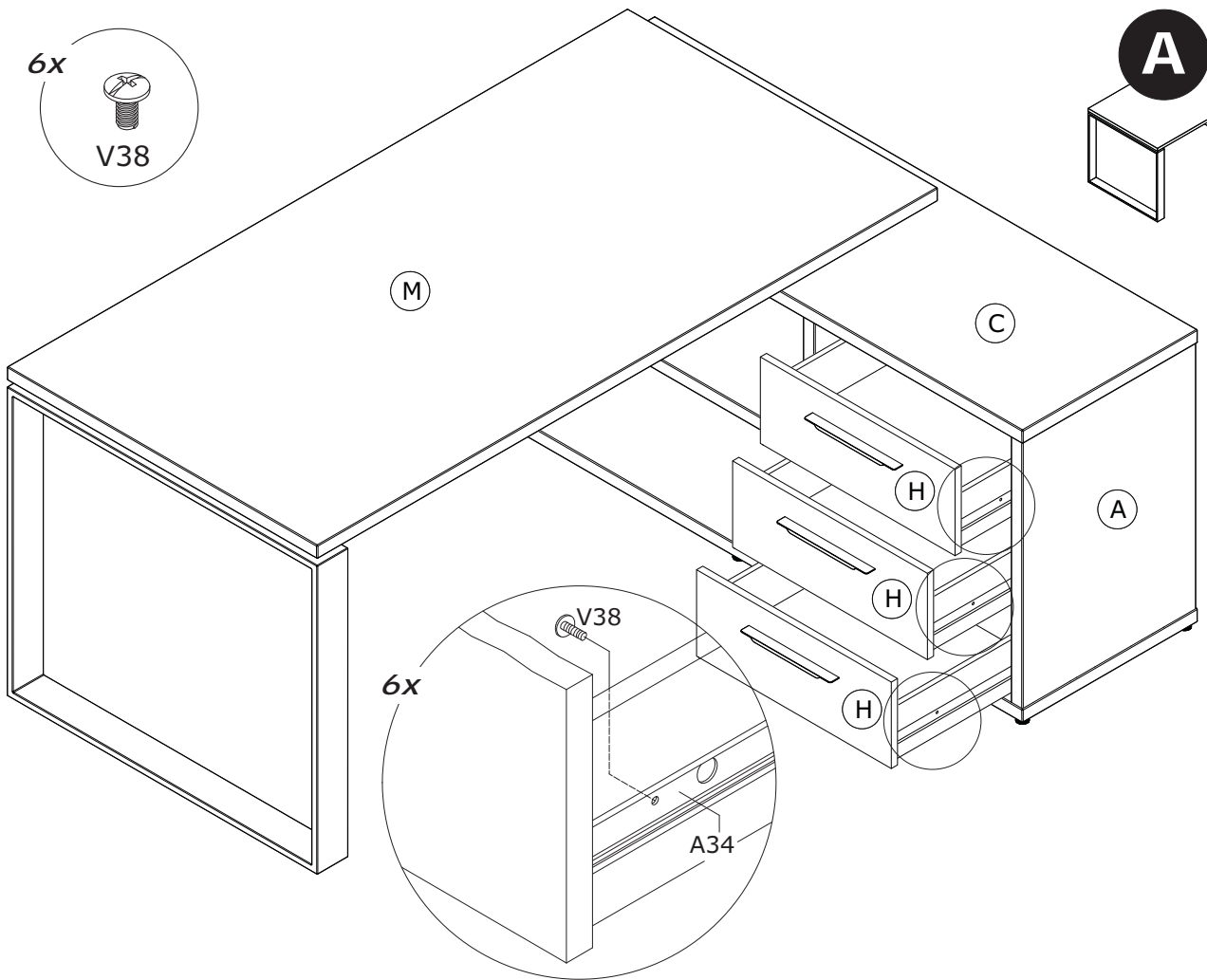
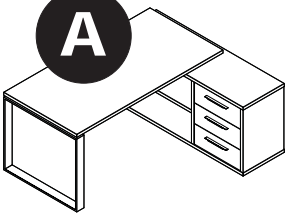




21



A



B

