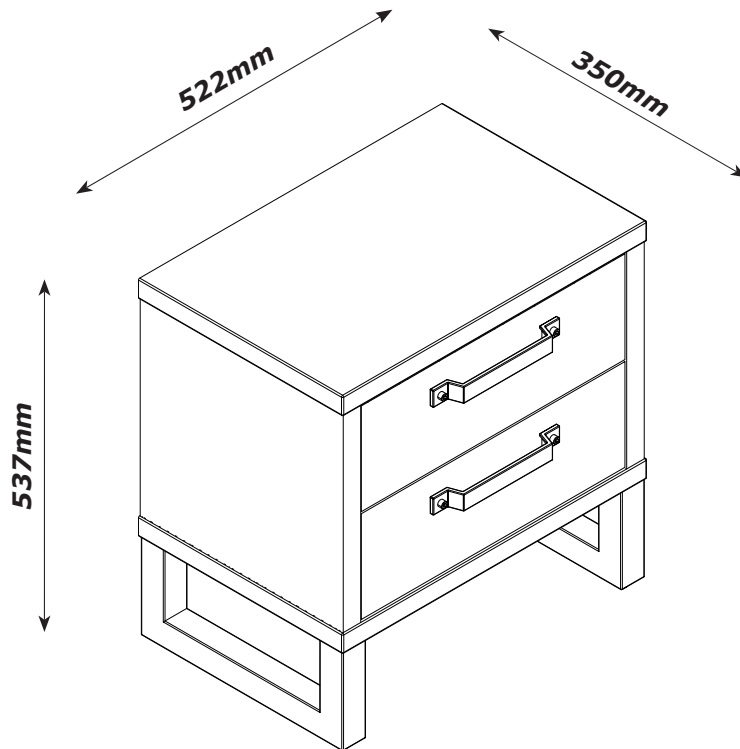


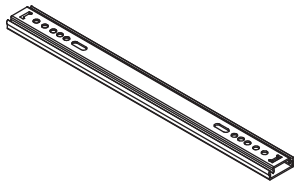
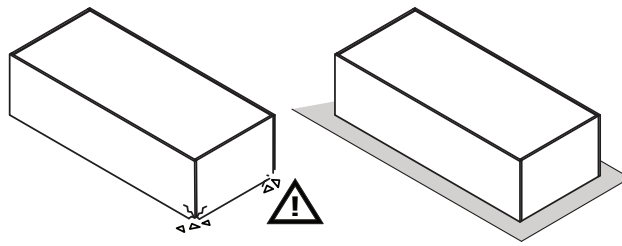
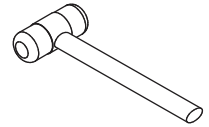
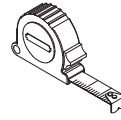
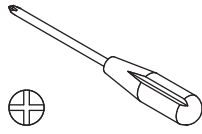
# CT2105K76604



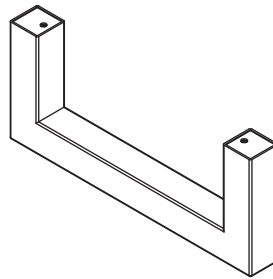
QF5513



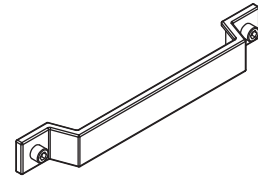
1,5h



**A47**  
x4



**P72**  
x2



**M214**  
x2

**BU4536**



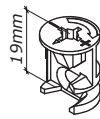
**H325**  
x8



**T28**  
x12



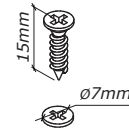
**T98**  
x4



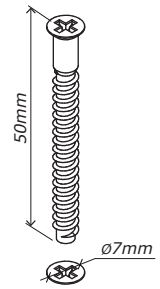
**T97**  
x8



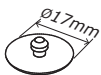
**H54**  
x8



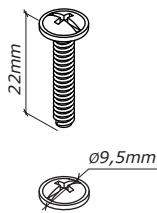
**V5**  
x16



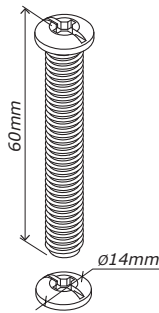
**V130**  
x8



**G136**  
x4



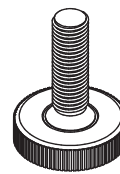
**V32**  
x4



**V152**  
x4



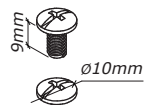
**H15**  
x12



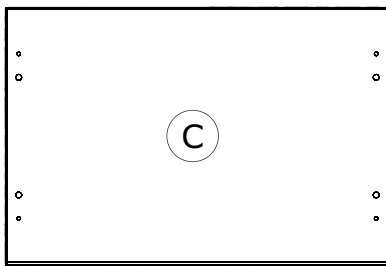
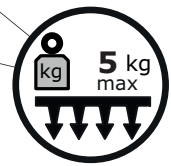
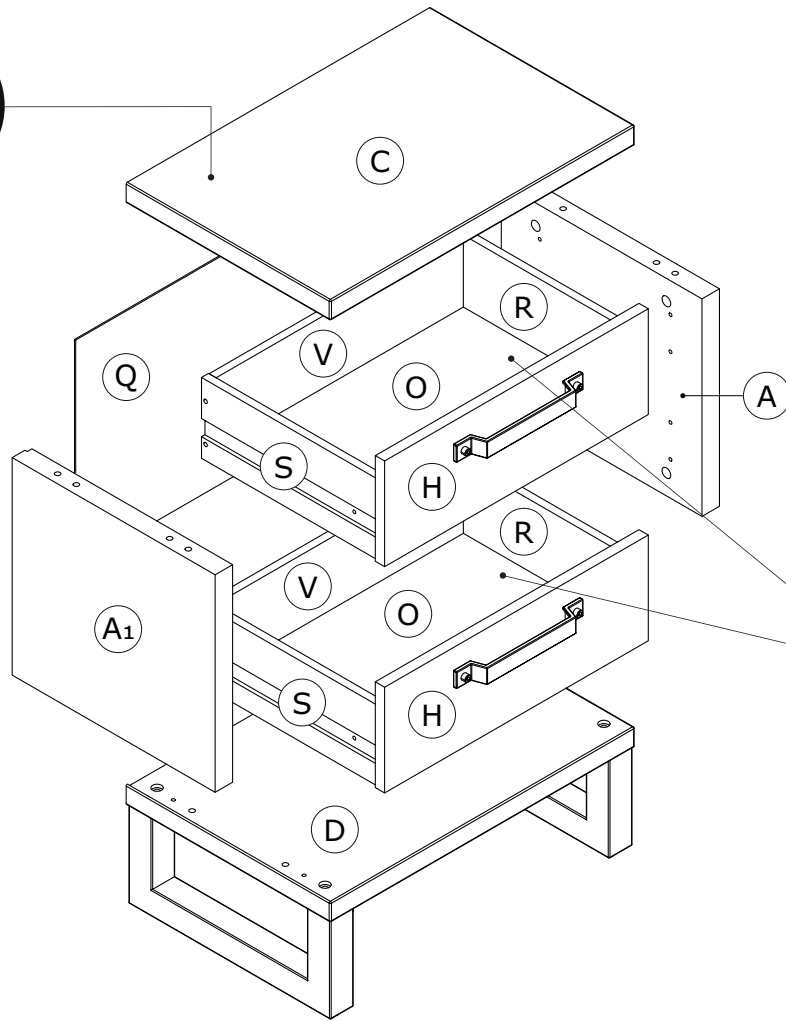
**P14**  
x4



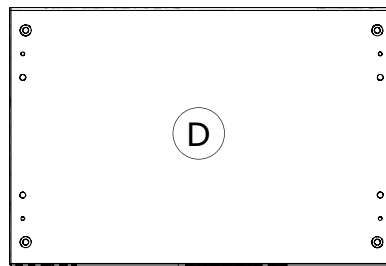
**H2**  
x8



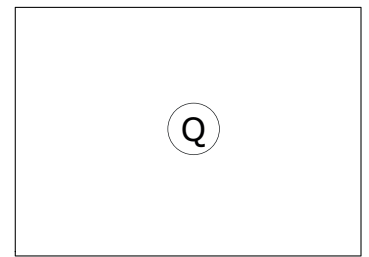
**V38**  
x4



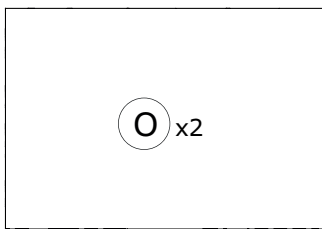
**CA3748**  
522x350x30mm



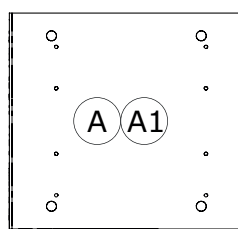
**BA2285**  
522x350x30mm



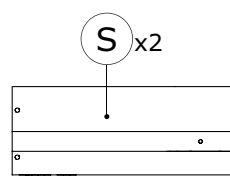
**SH3515**  
470x338x2mm



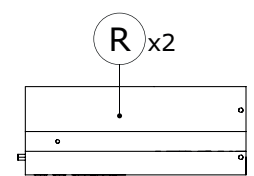
**SH3520**  
435x300x2mm



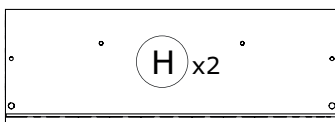
**FI9000**  
323x348x30mm



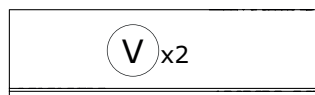
**OS0324**  
300x120x12mm



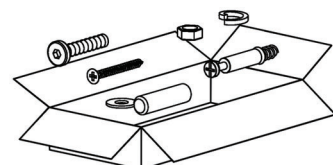
**OS0323**  
300x120x12mm



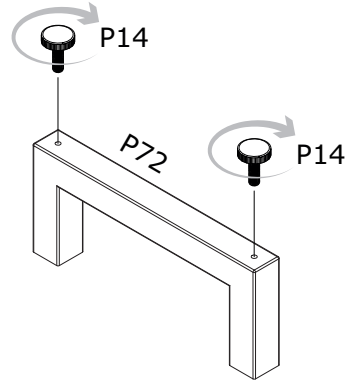
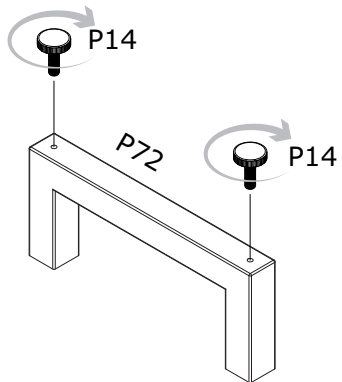
**CS3772**  
452x157x16mm



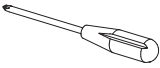
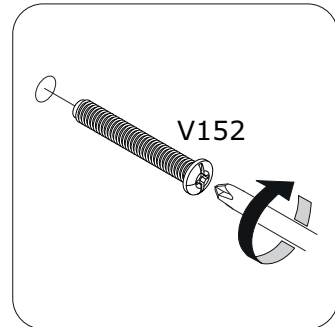
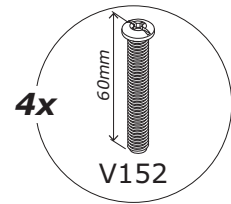
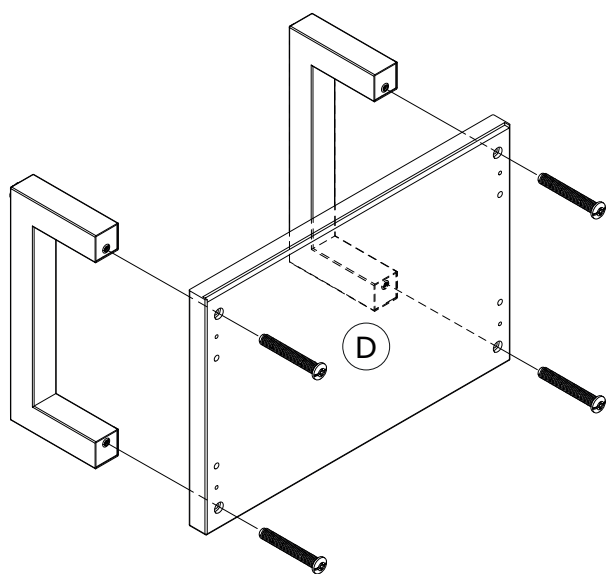
**OS0322**  
424x120x12mm



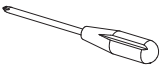
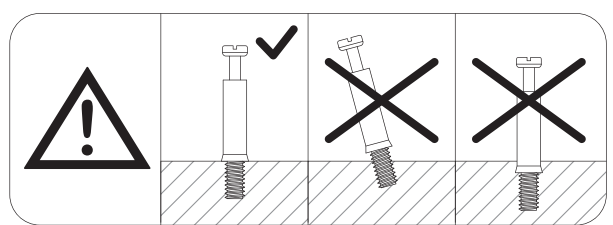
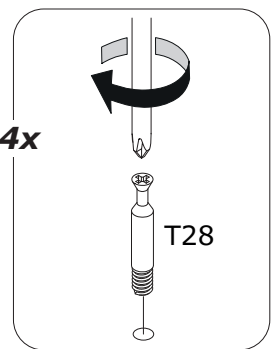
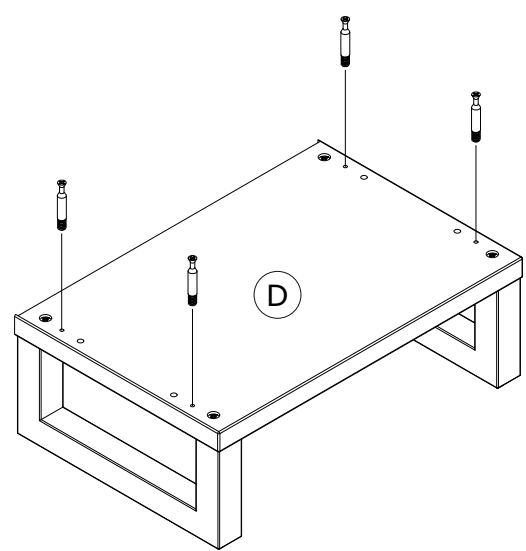
1



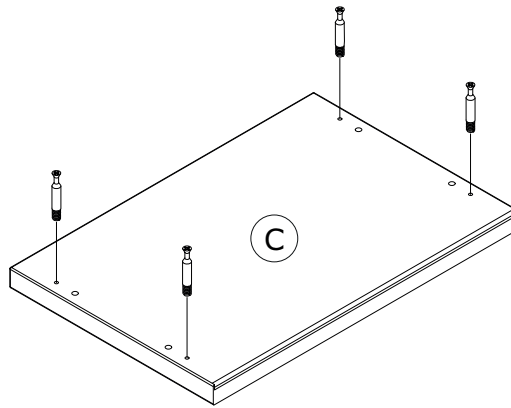
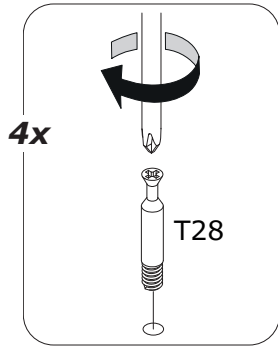
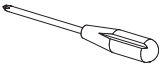
2



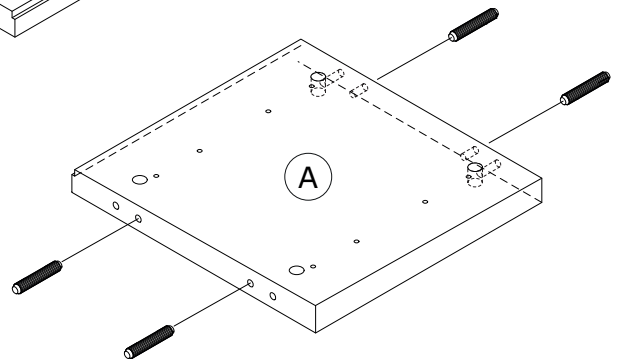
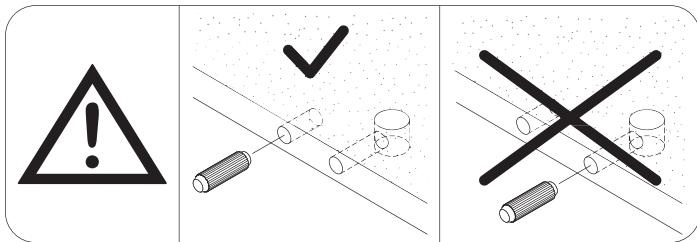
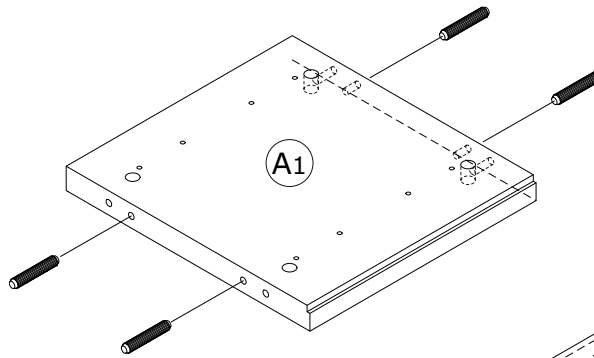
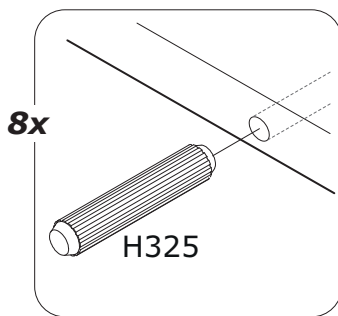
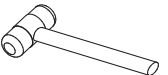
3



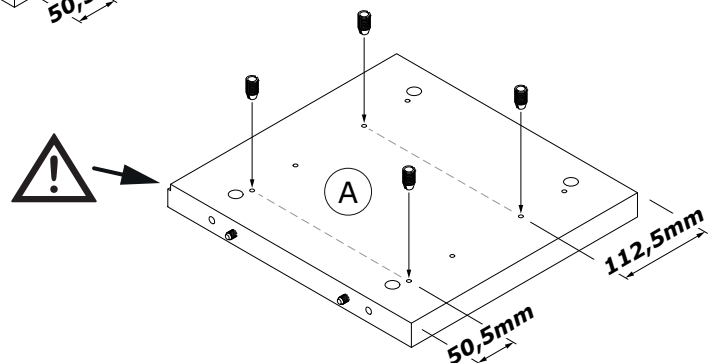
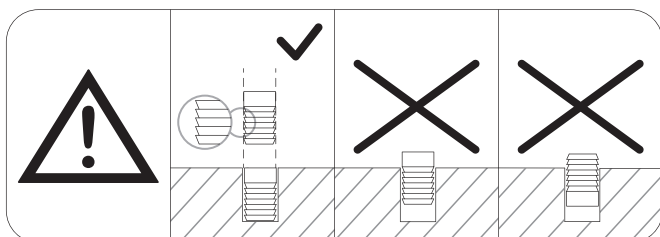
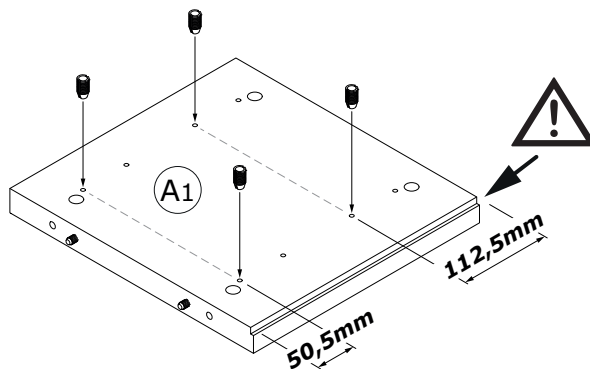
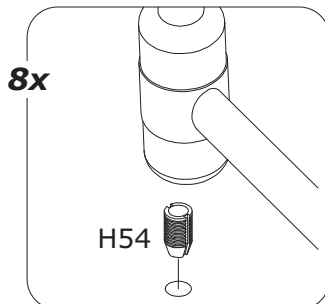
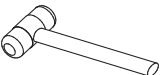
4



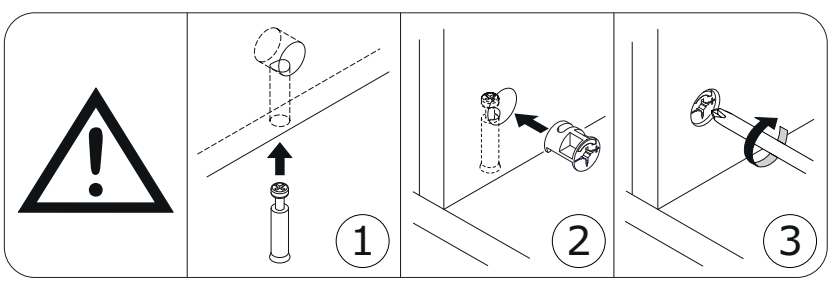
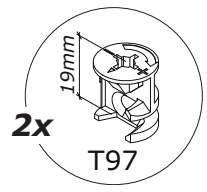
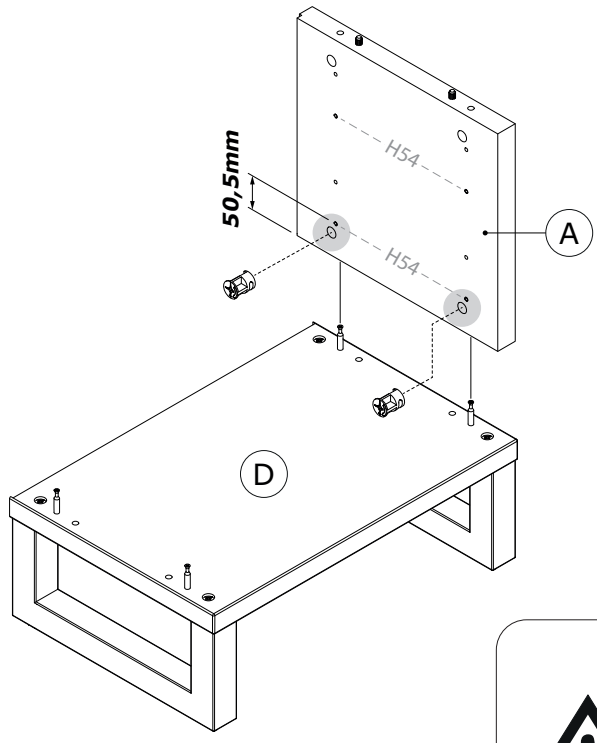
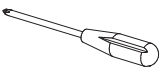
5



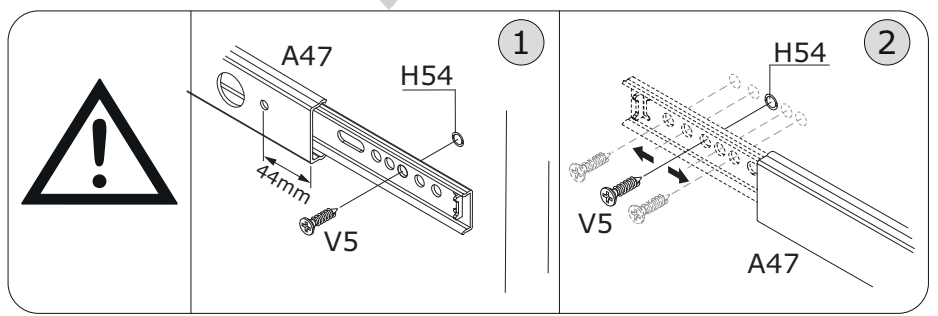
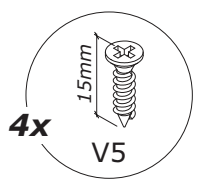
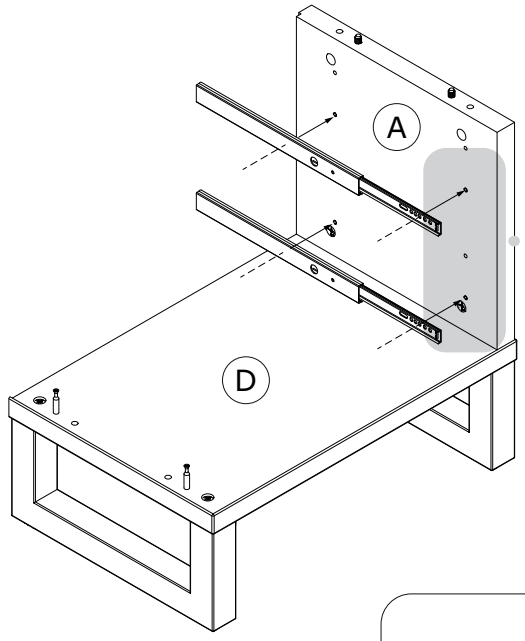
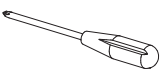
6



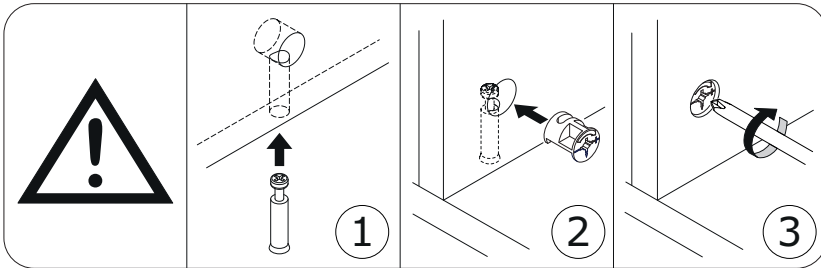
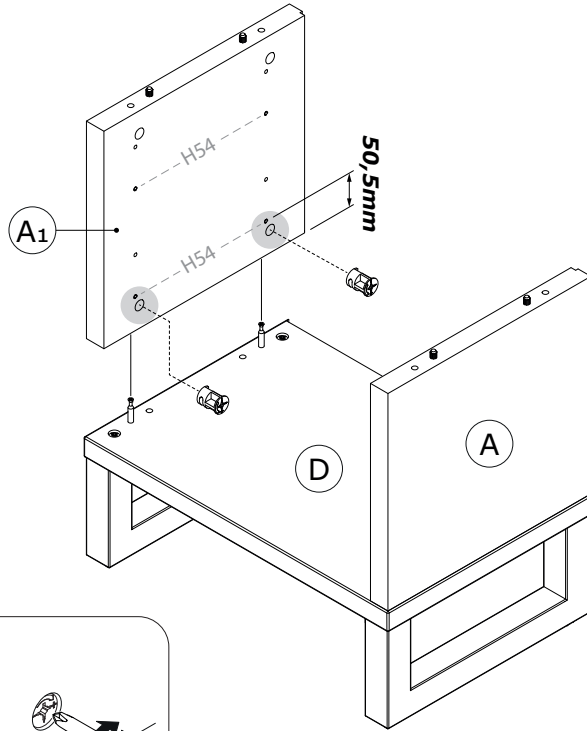
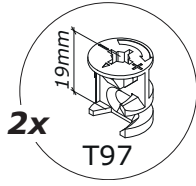
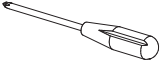
7



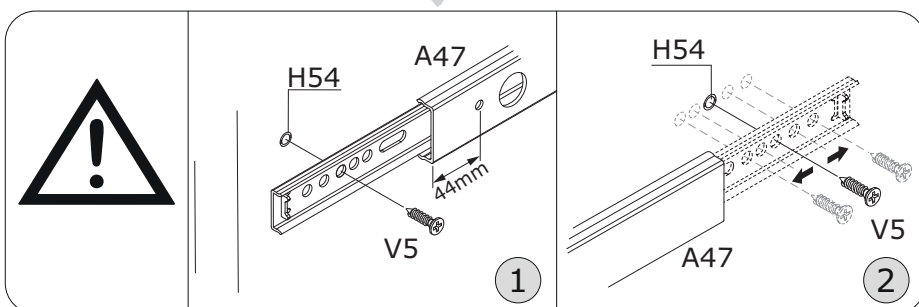
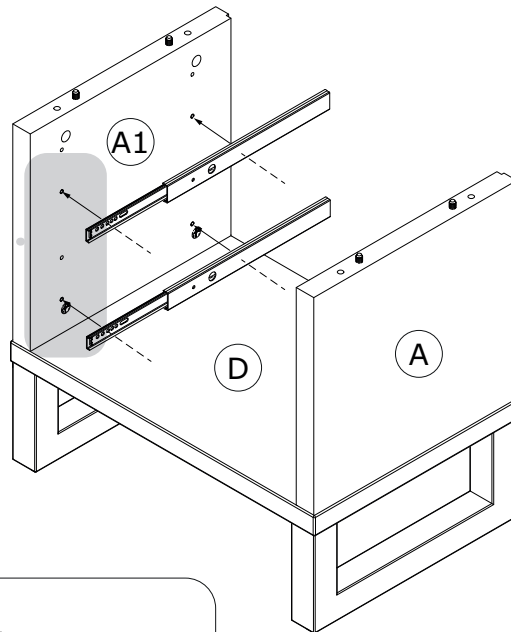
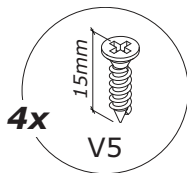
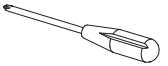
8



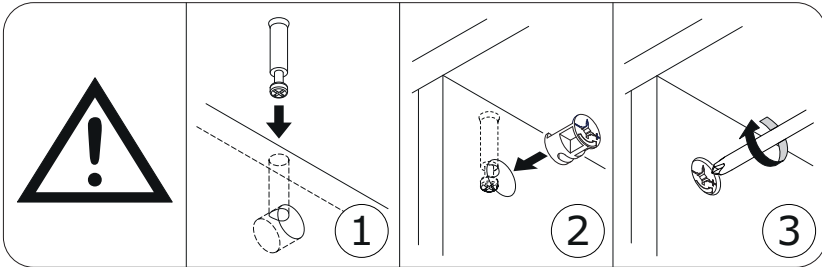
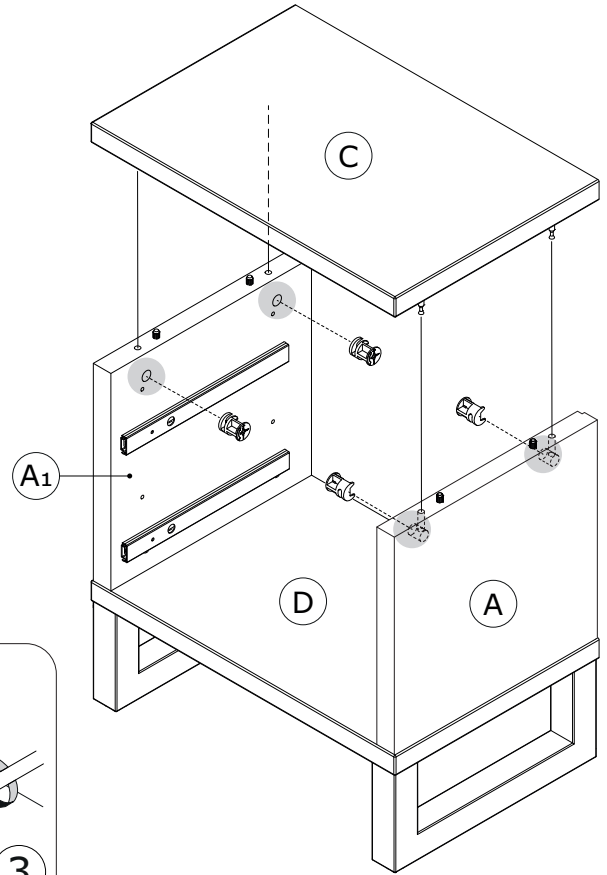
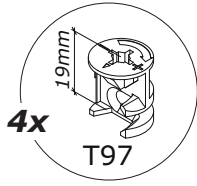
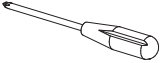
9



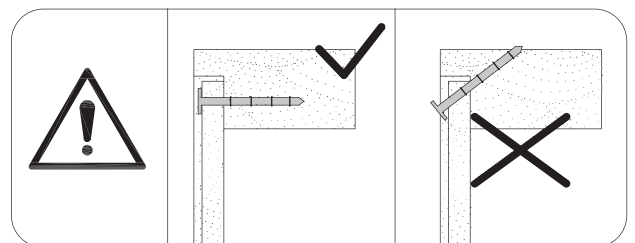
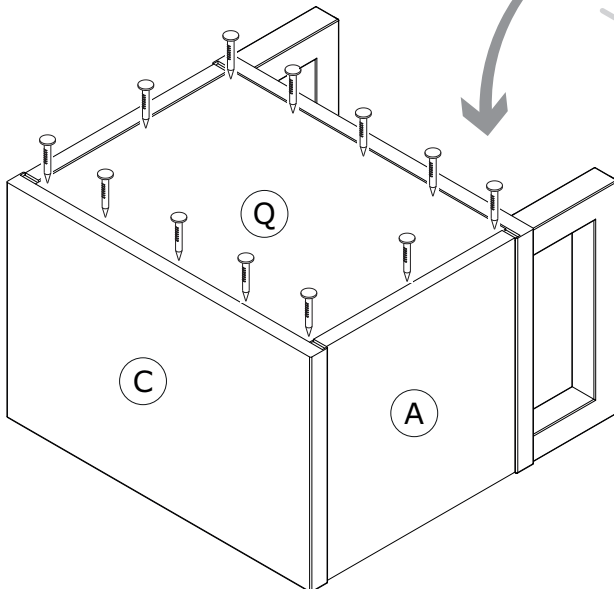
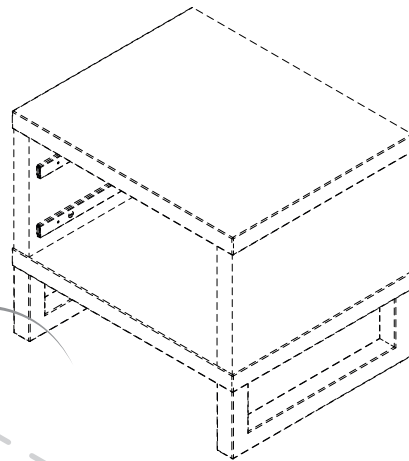
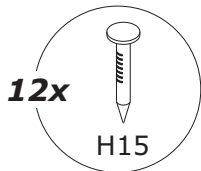
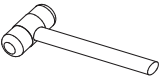
10



11

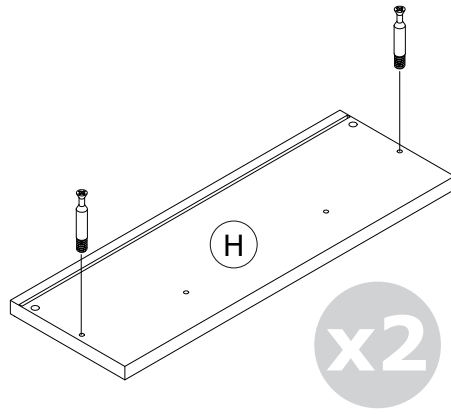
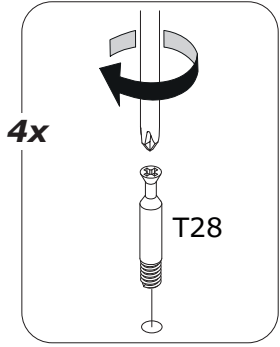
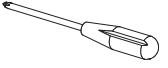


12

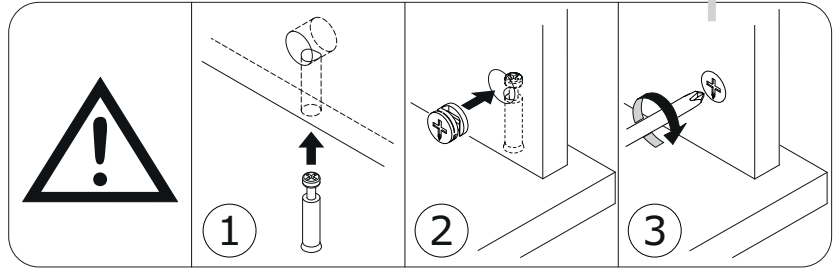
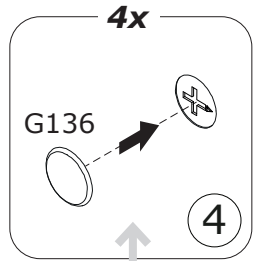
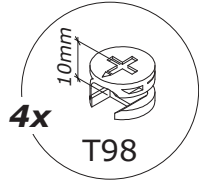
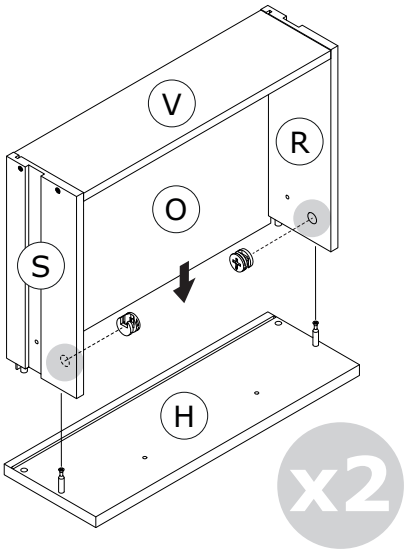
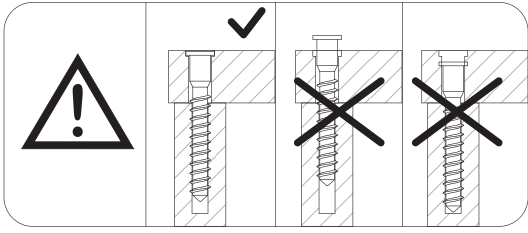
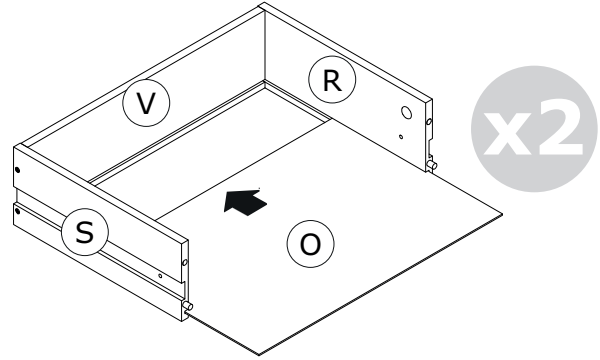
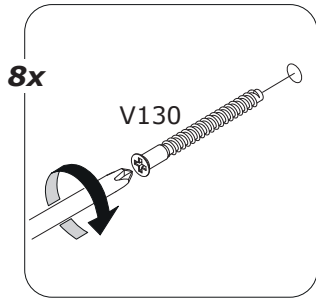
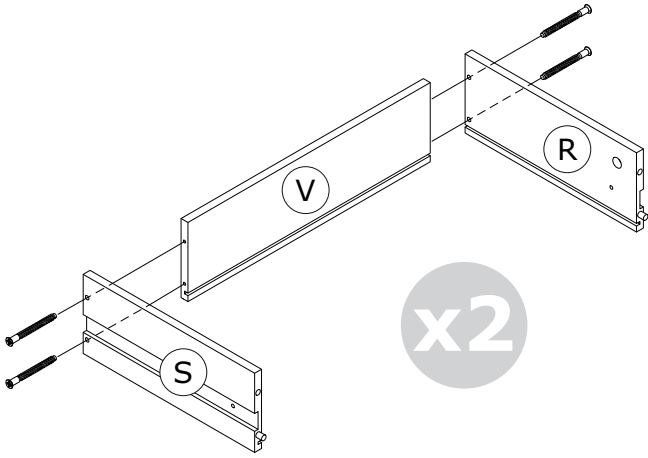
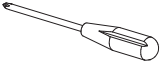




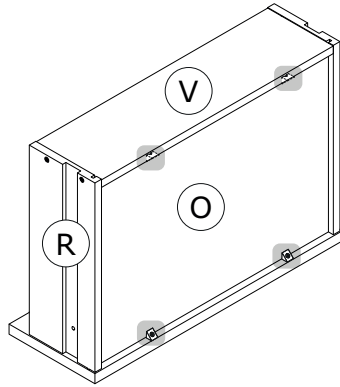
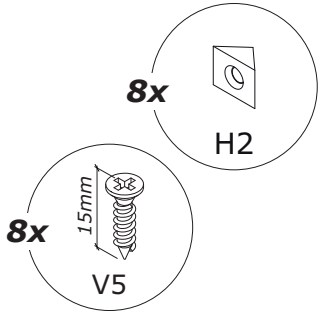
13



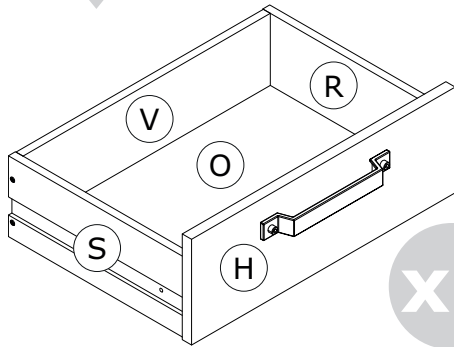
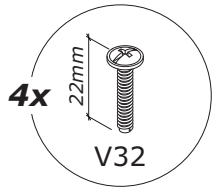
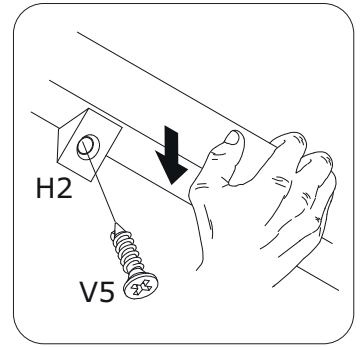
14



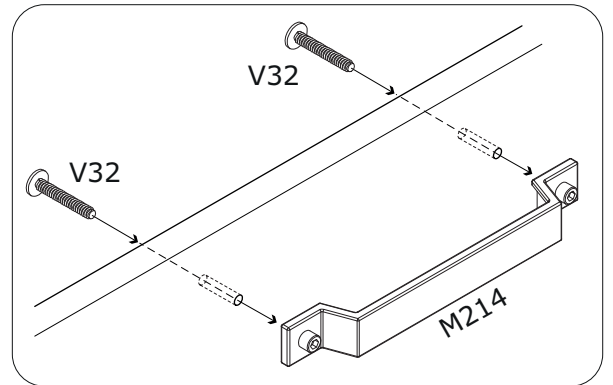
15



x2



x2



16

