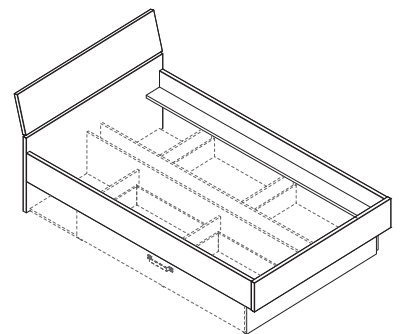
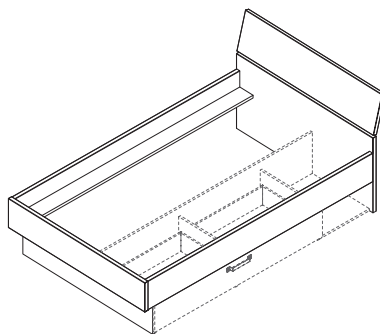
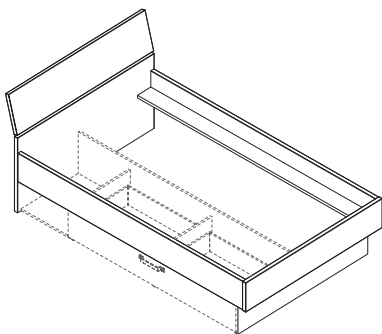
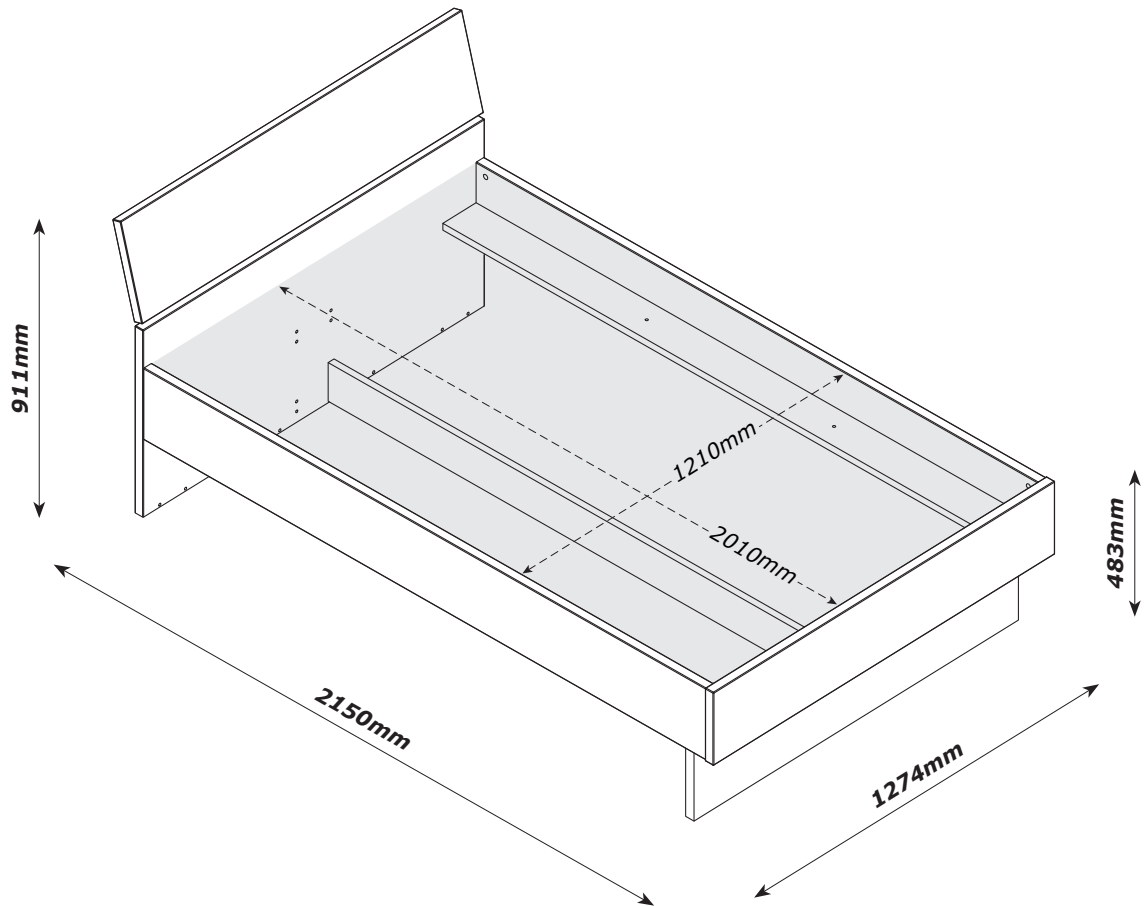
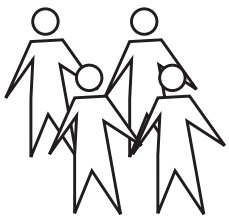


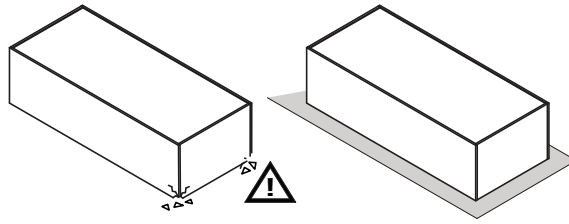
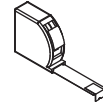
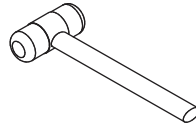
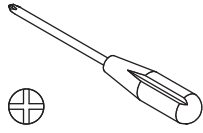
LT2102K76604



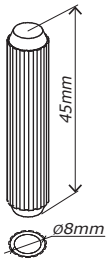
QF5519



3h



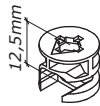
BU4617



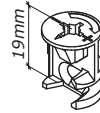
H325
x18



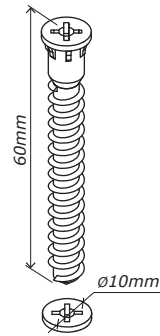
T28
x13



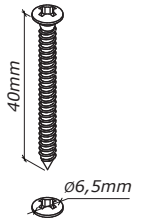
T7
x5



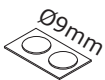
T97
x8



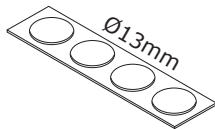
V57
x5



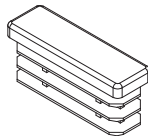
V59
x4



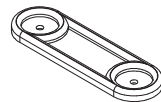
G188
x2



G193
x4



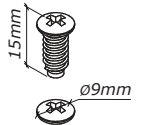
P3
x2



P16
x6



H15
x12



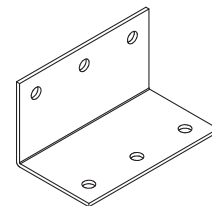
V10
x36

CF0225

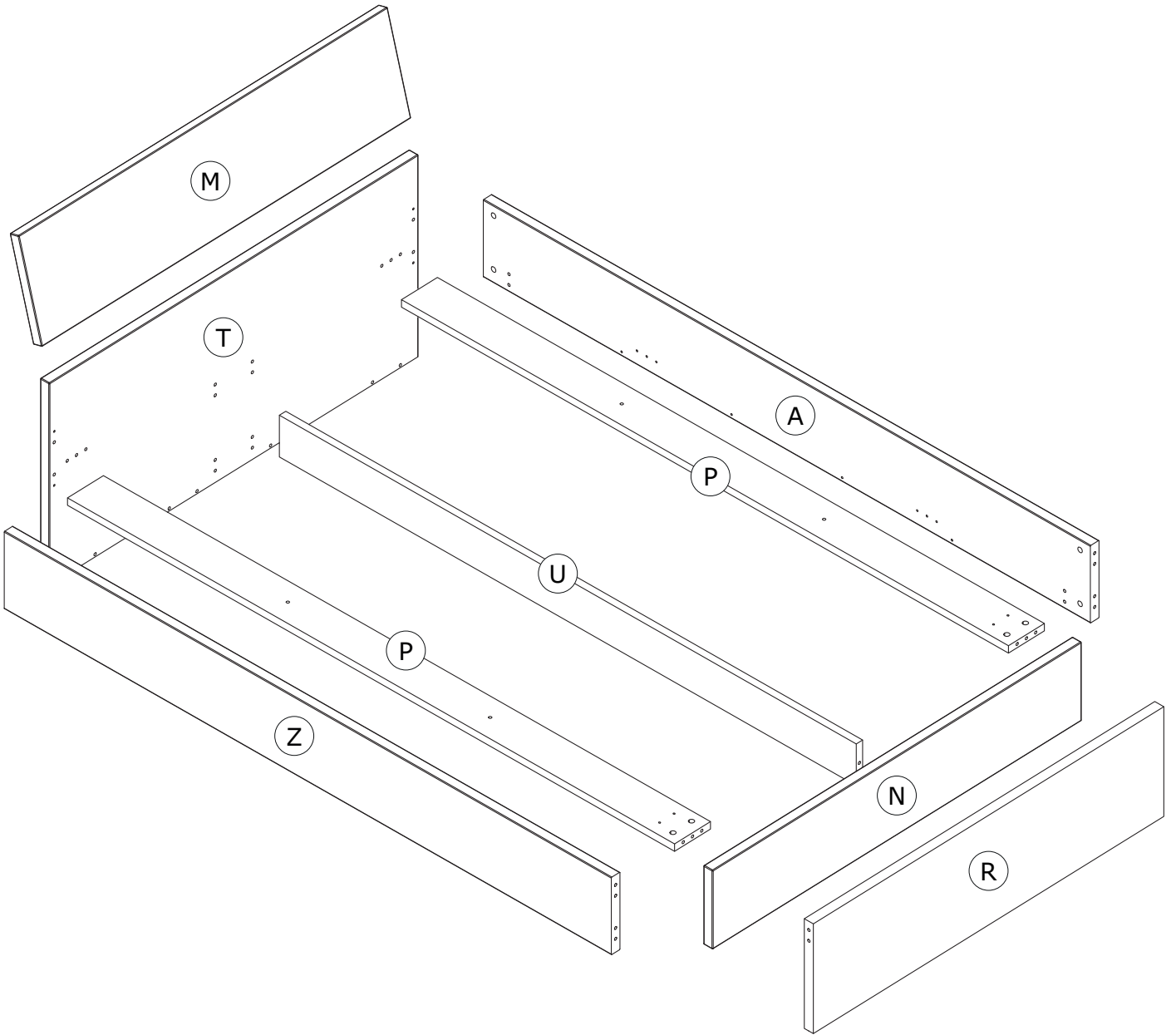


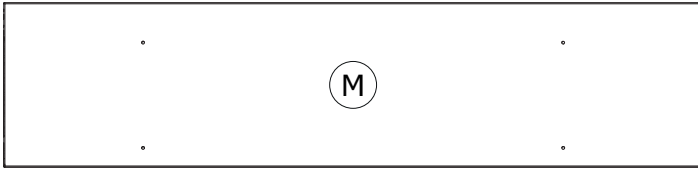
W624
x2

CF0141

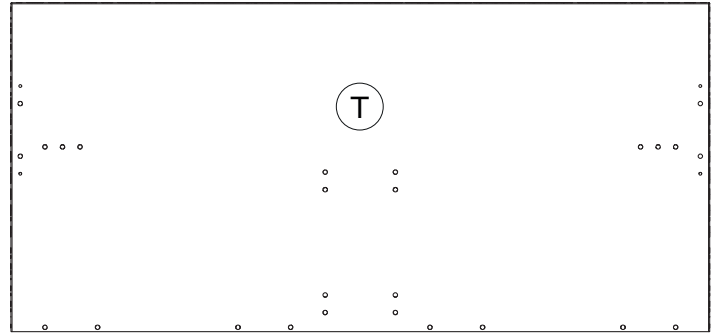


W186
x4

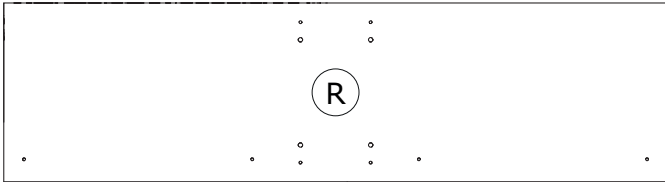




TE0607
1274x300x30mm

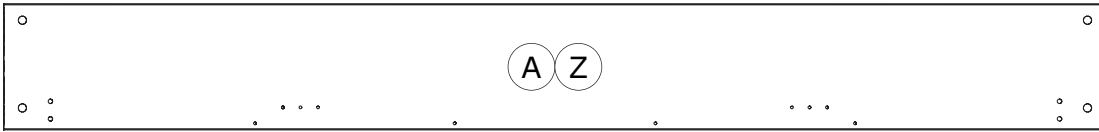


TE0608
1274x600x30mm

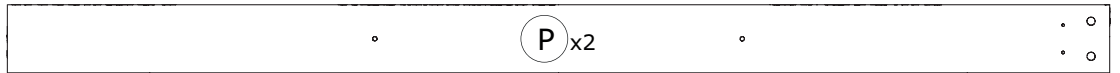


FS4264
1210x326x30mm

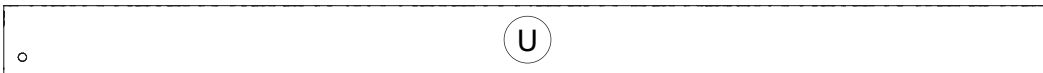
BOX 1/2



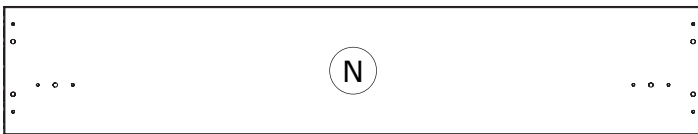
FS4262
2010x230x30mm



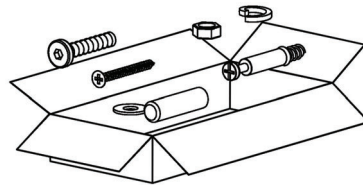
FS4265
2010x124x22mm



FS4302
1910x124x22mm

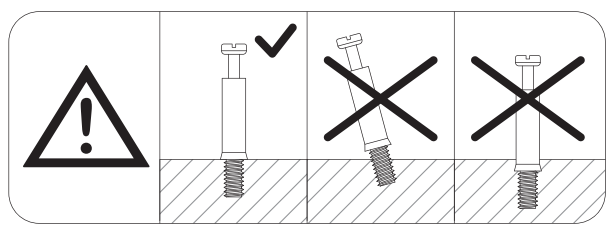
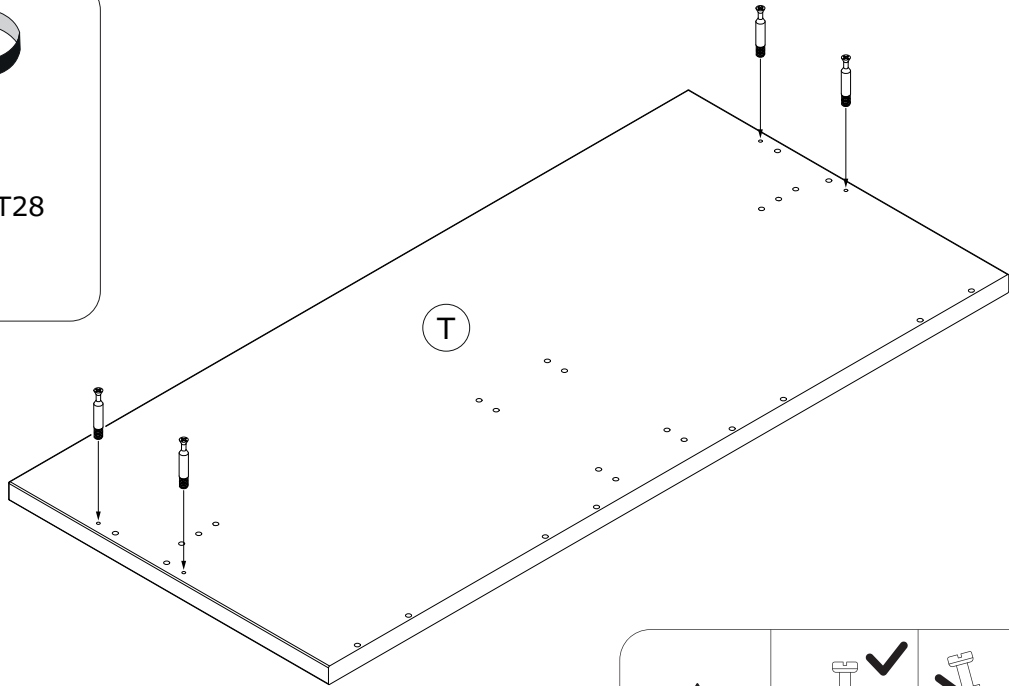
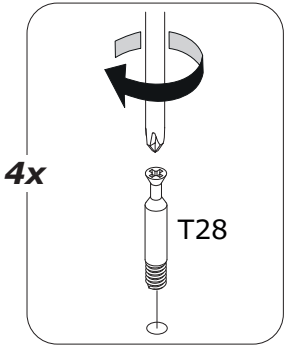
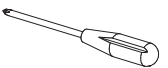


PE0318
1274x234x30mm

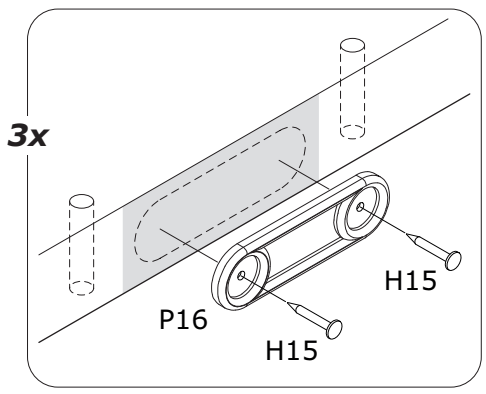
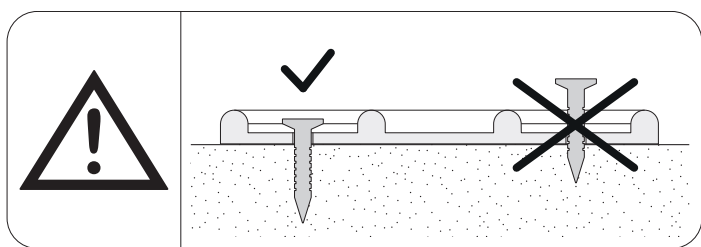
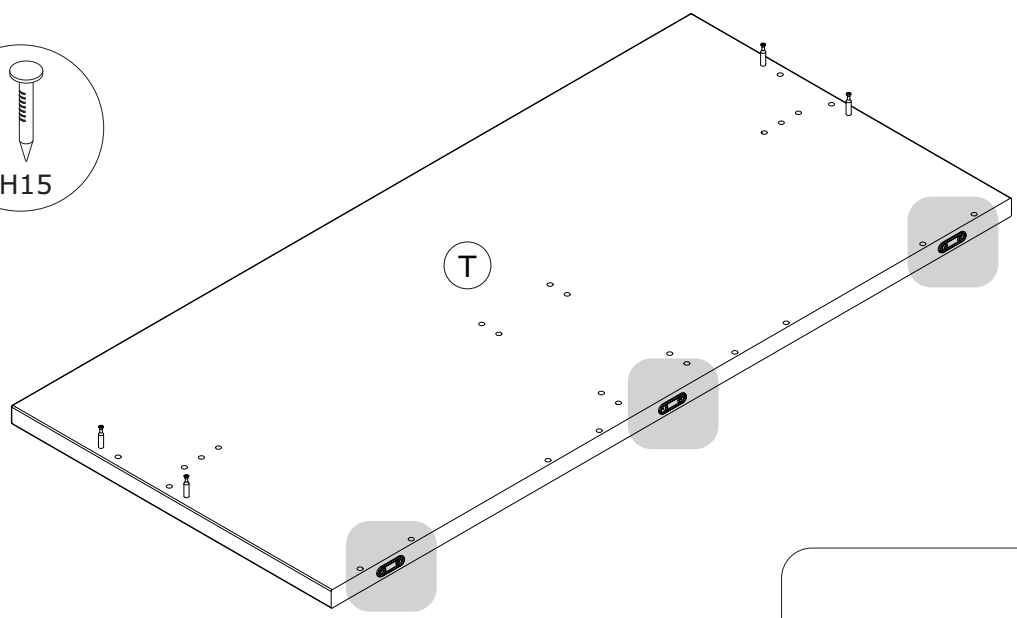
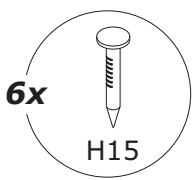
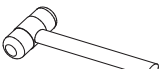


BOX 2/2

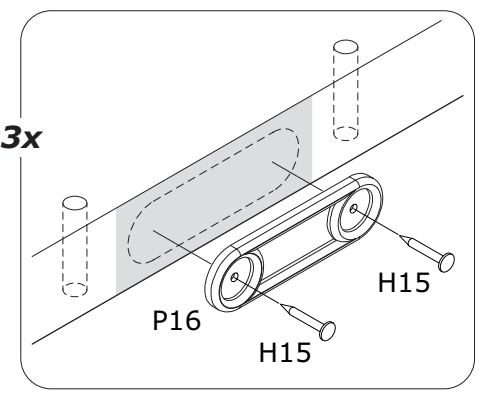
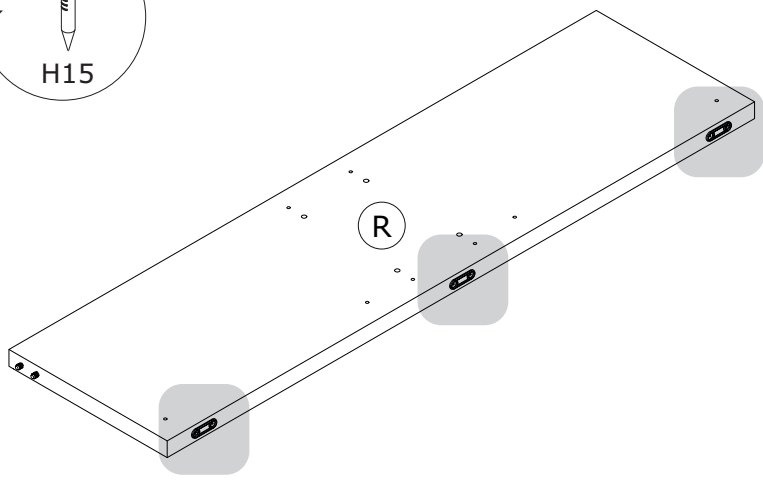
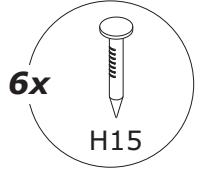
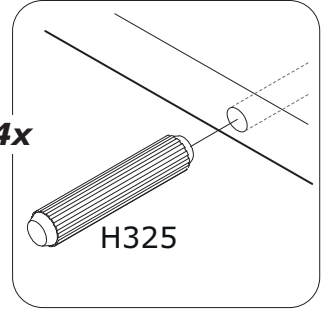
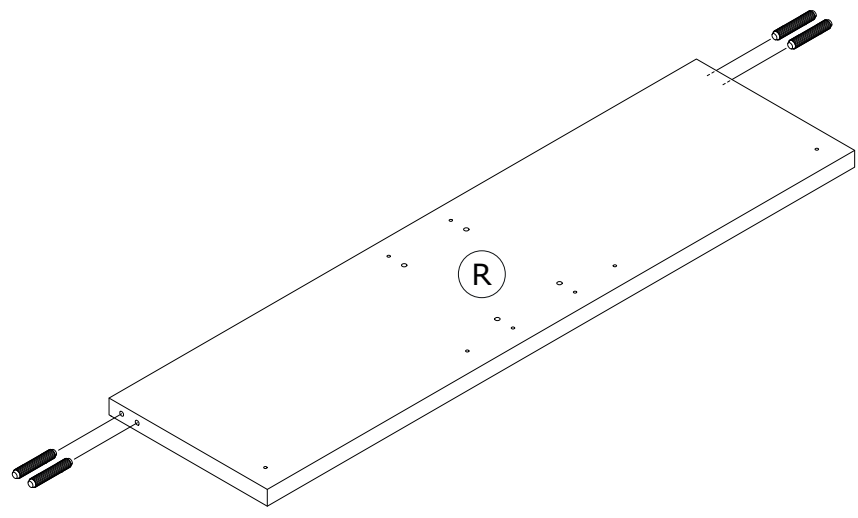
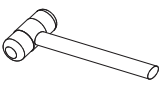
1



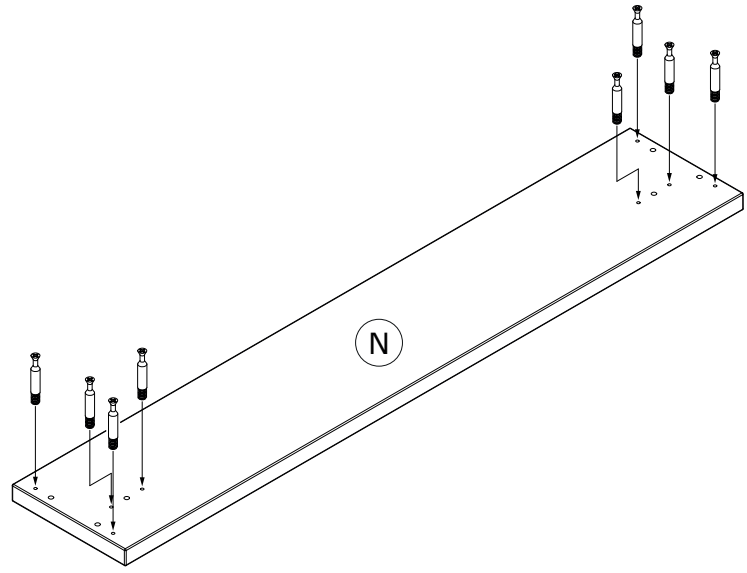
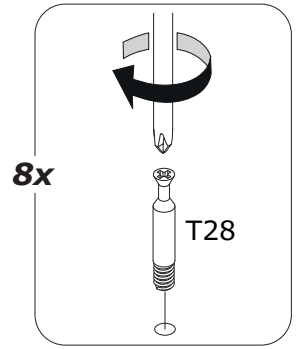
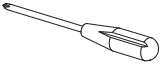
2



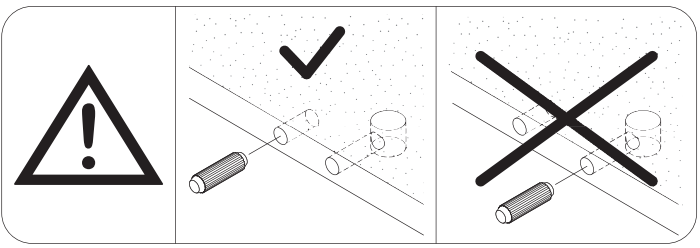
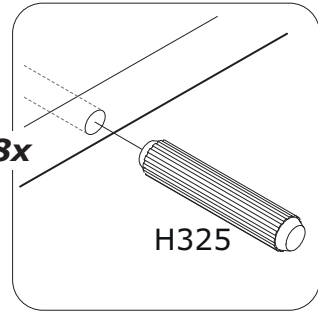
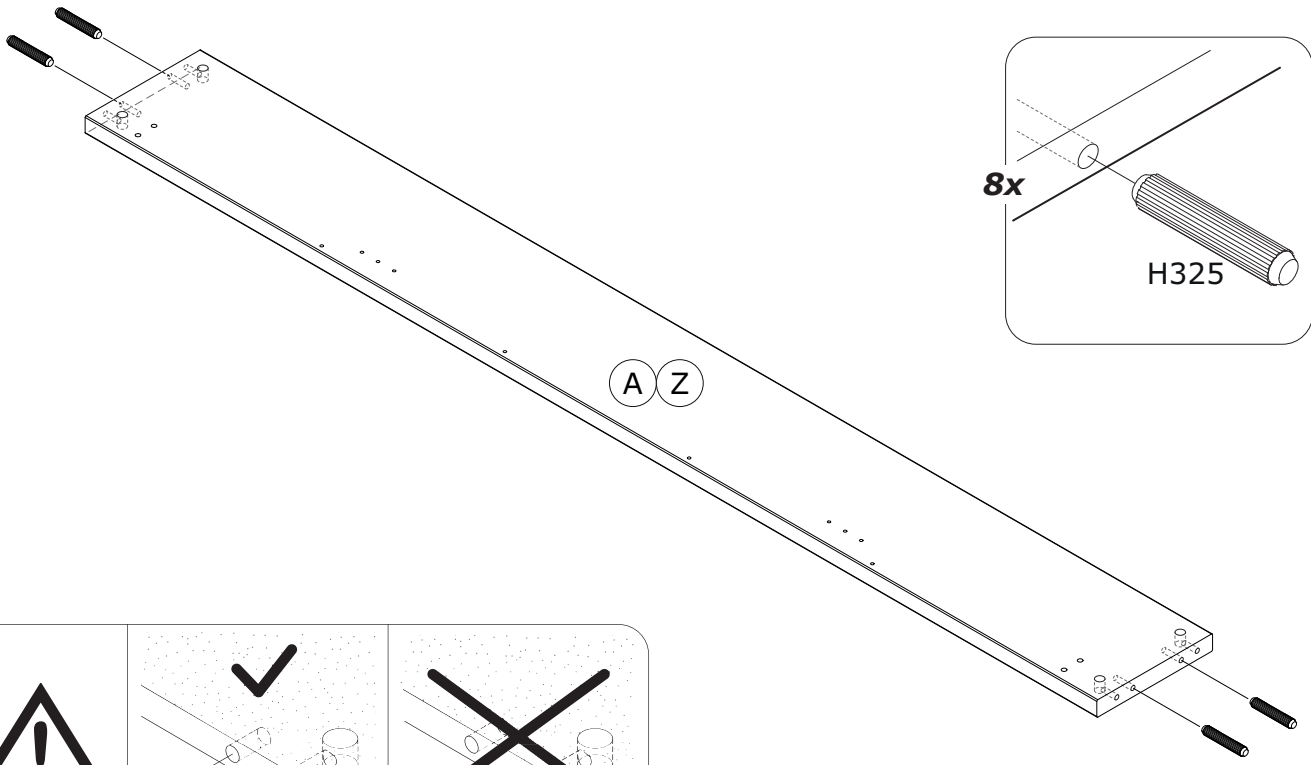
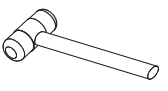
3



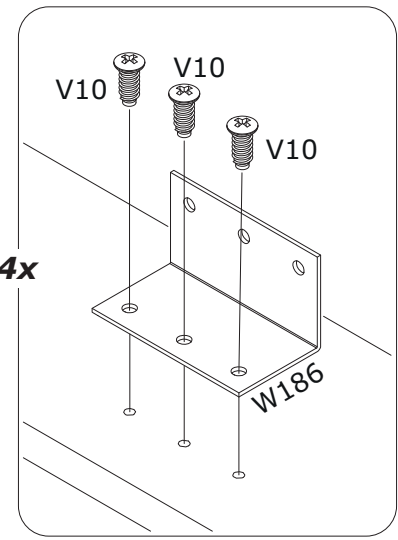
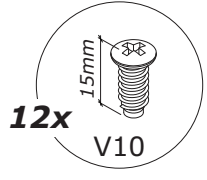
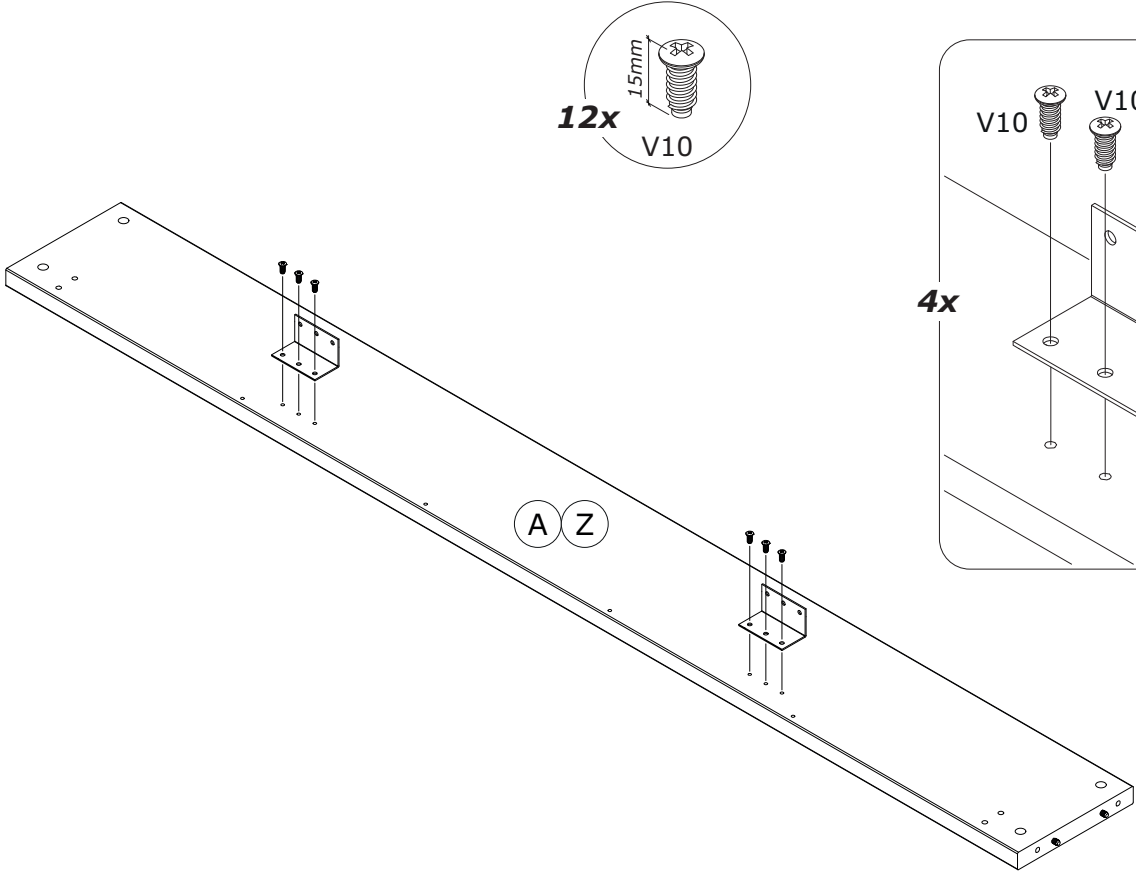
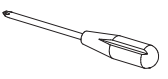
4



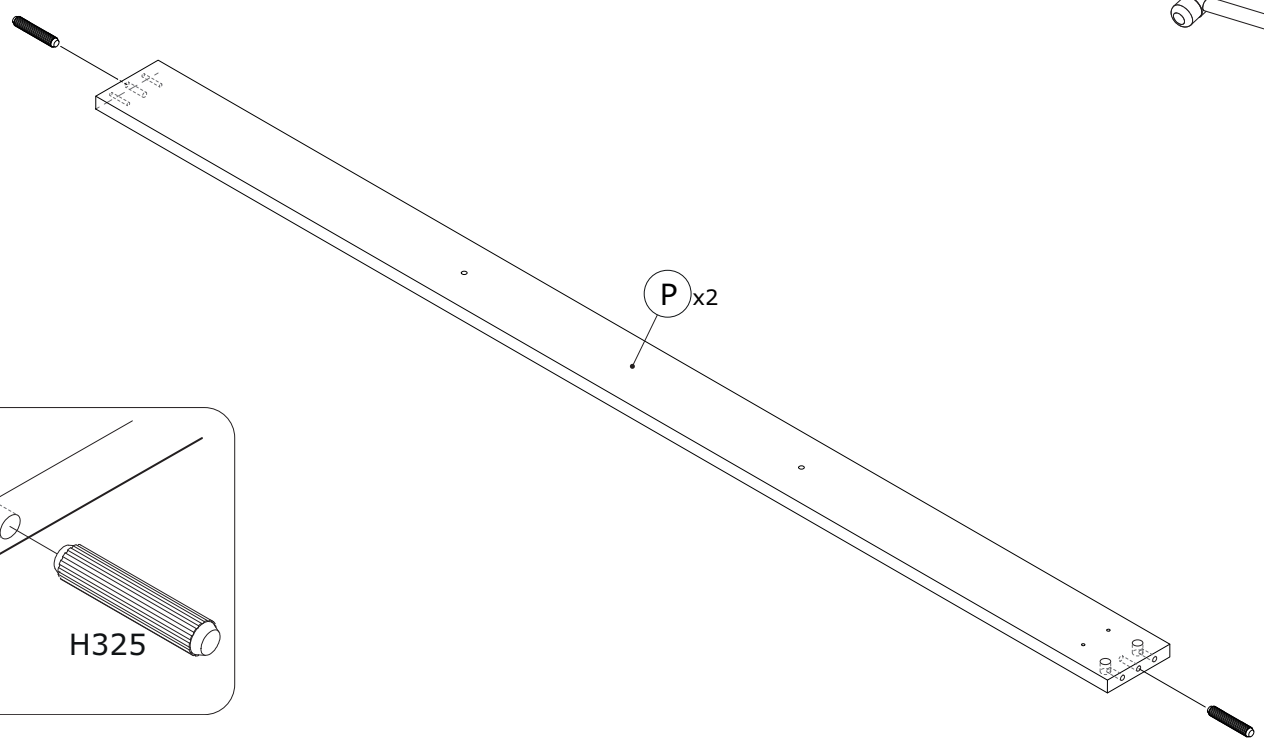
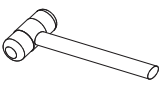
5



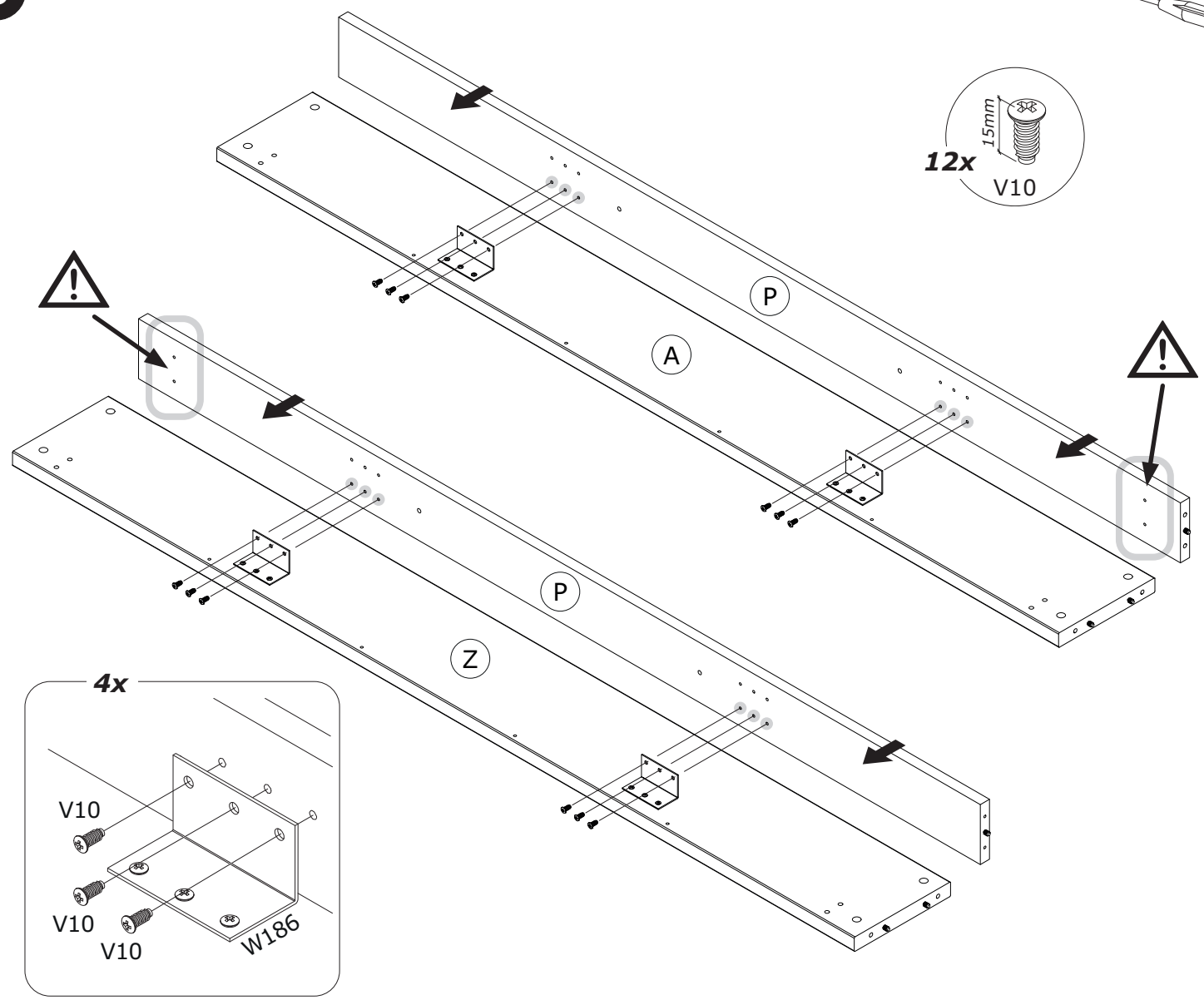
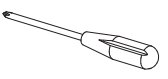
6



7

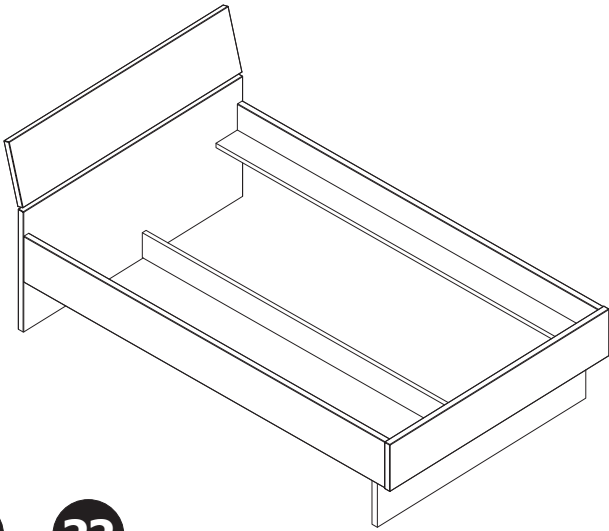


8



A

LT2102

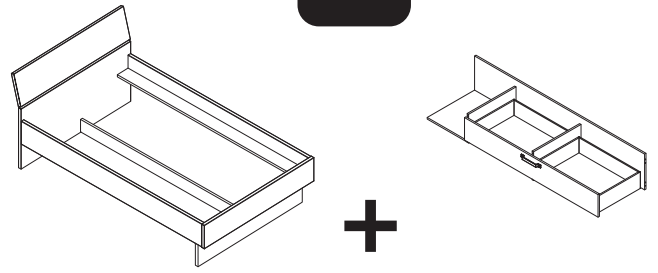


9 - 22

B

LT2102

CS2110



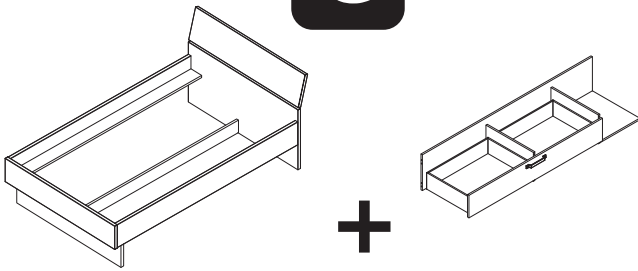
23 - 33

34 - 44

C

LT2102

CS2110



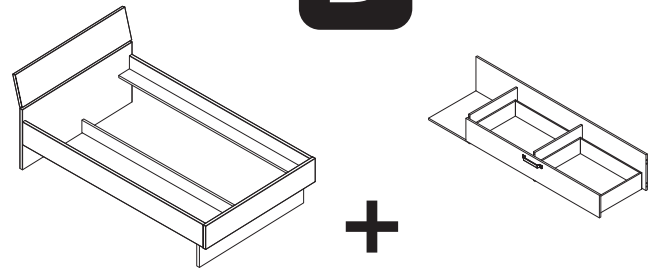
23 - 33

45 - 55

D

LT2102

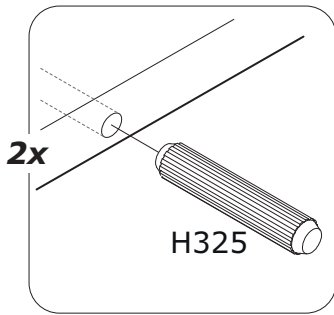
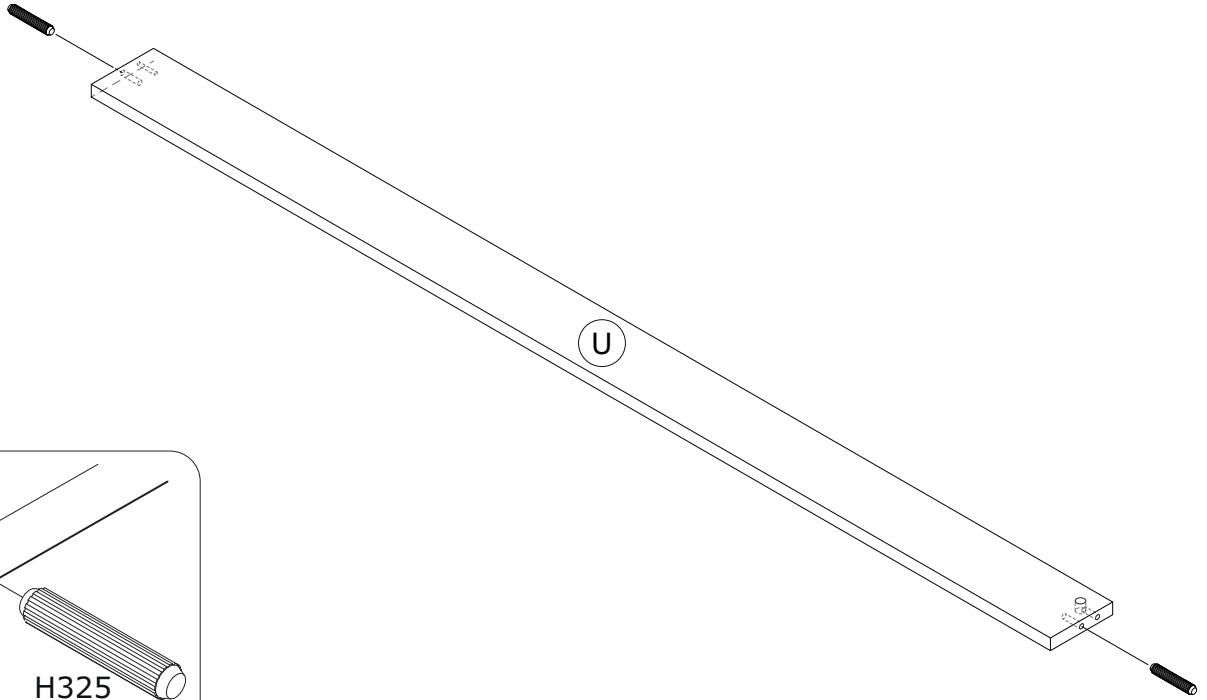
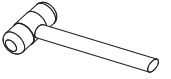
2x CS2110



20 - 21

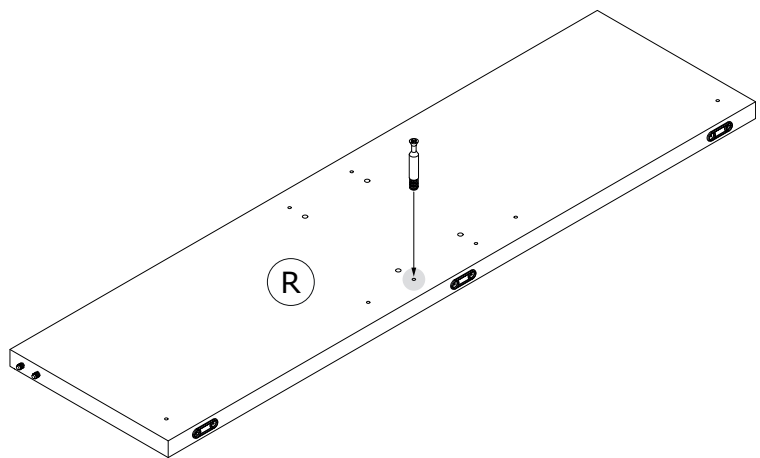
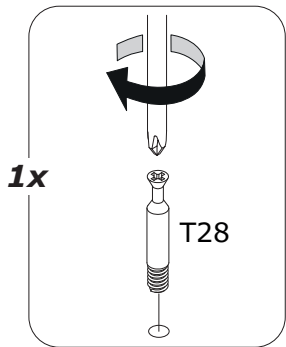
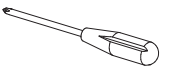
9

A



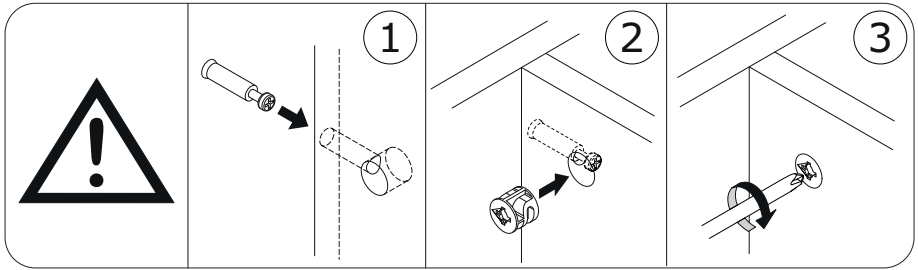
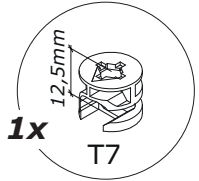
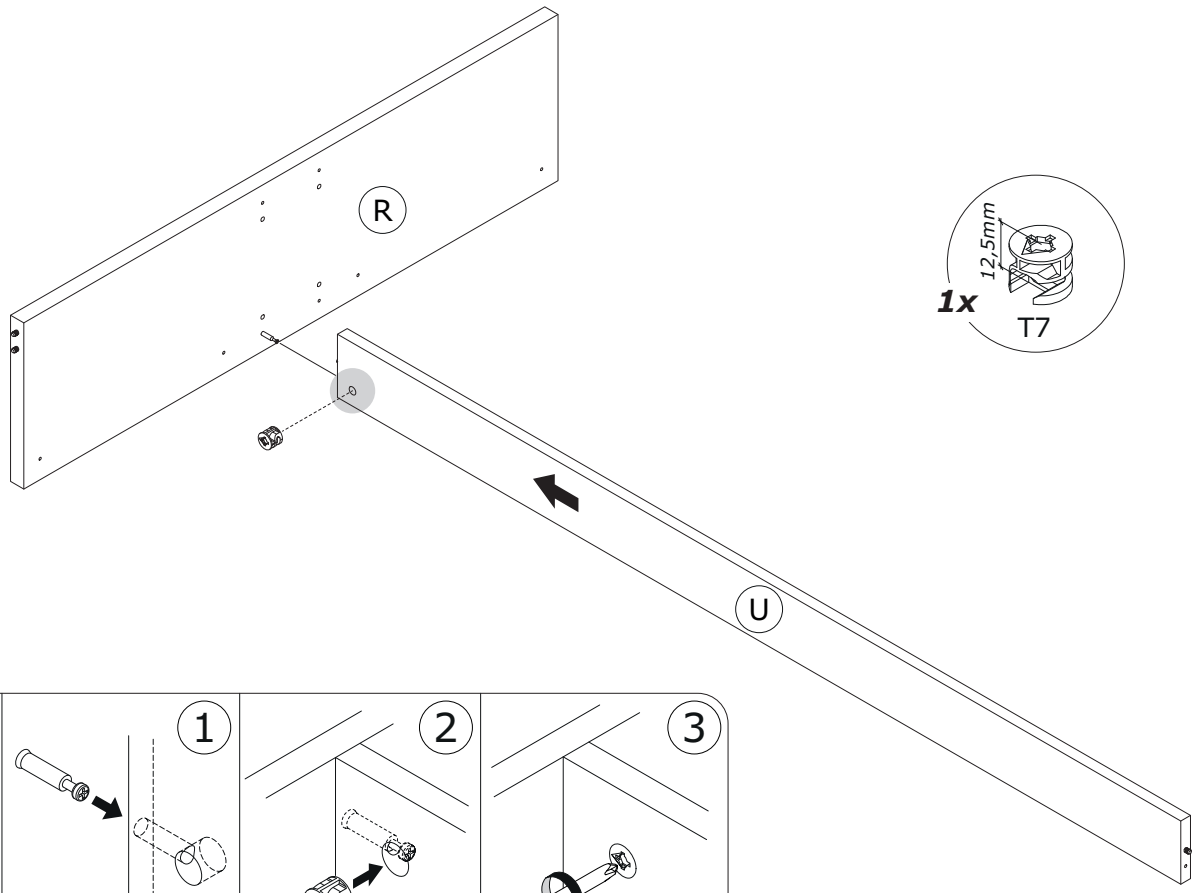
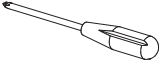
10

A



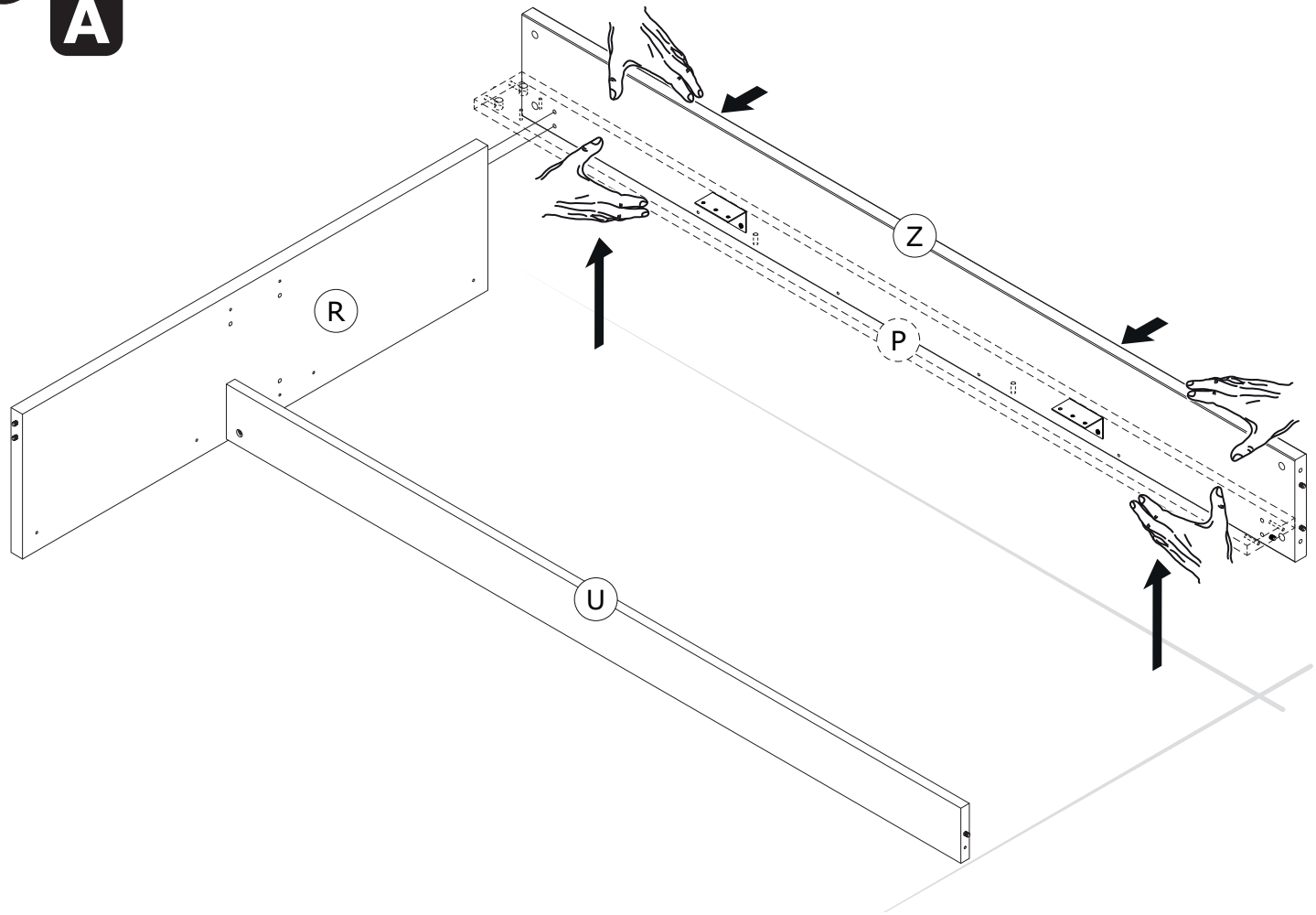
11

A



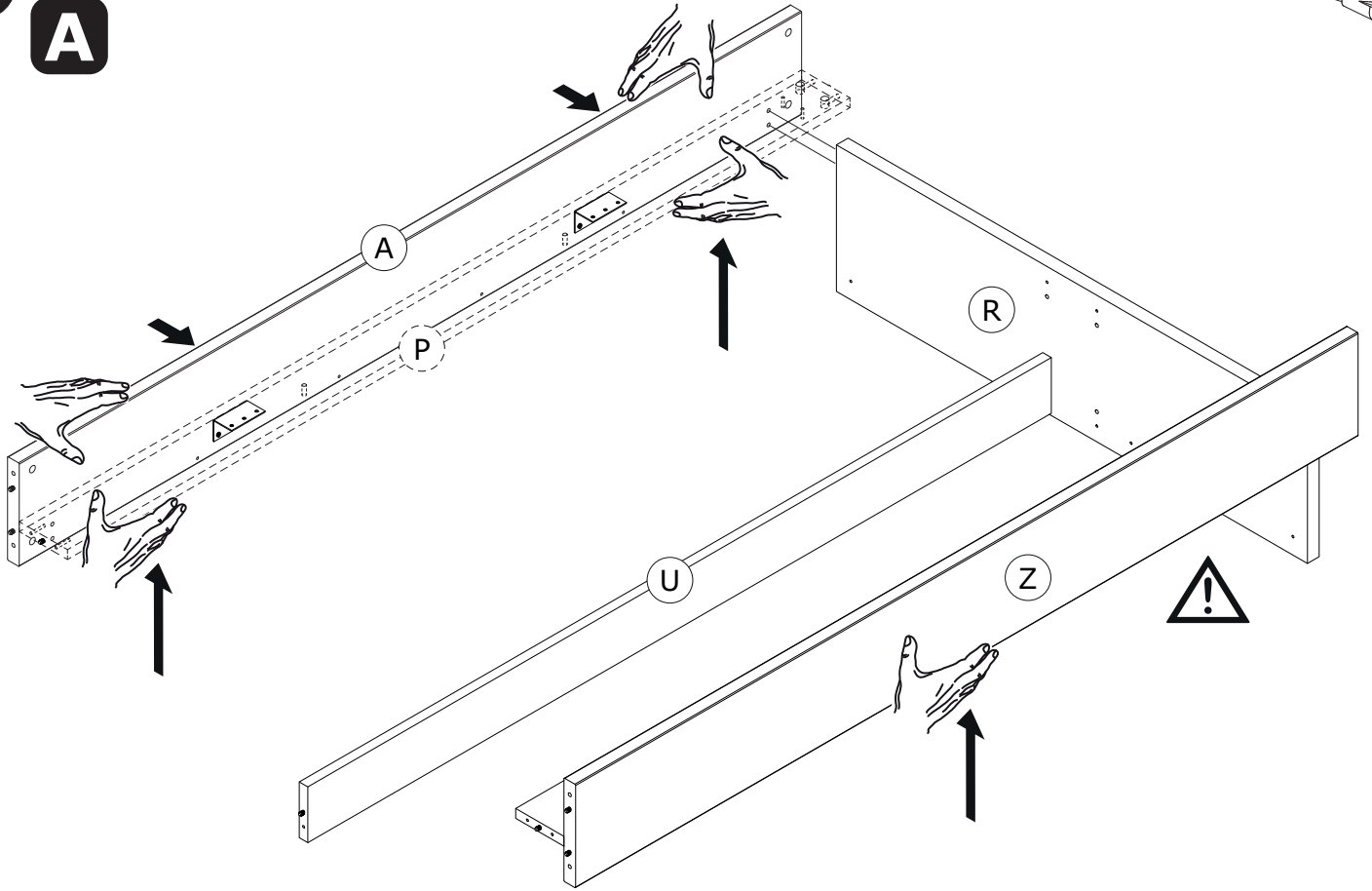
12

A



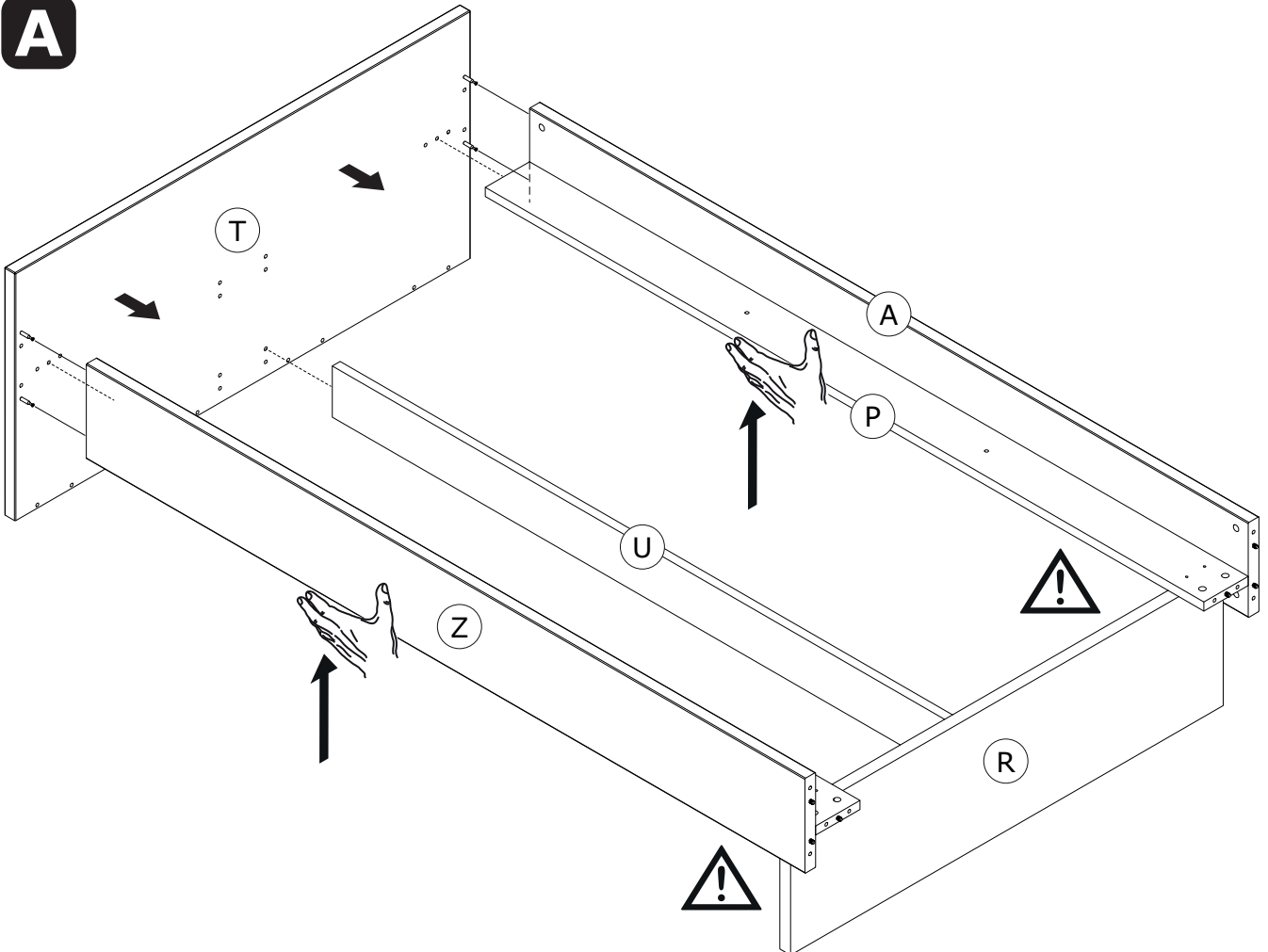
13

A



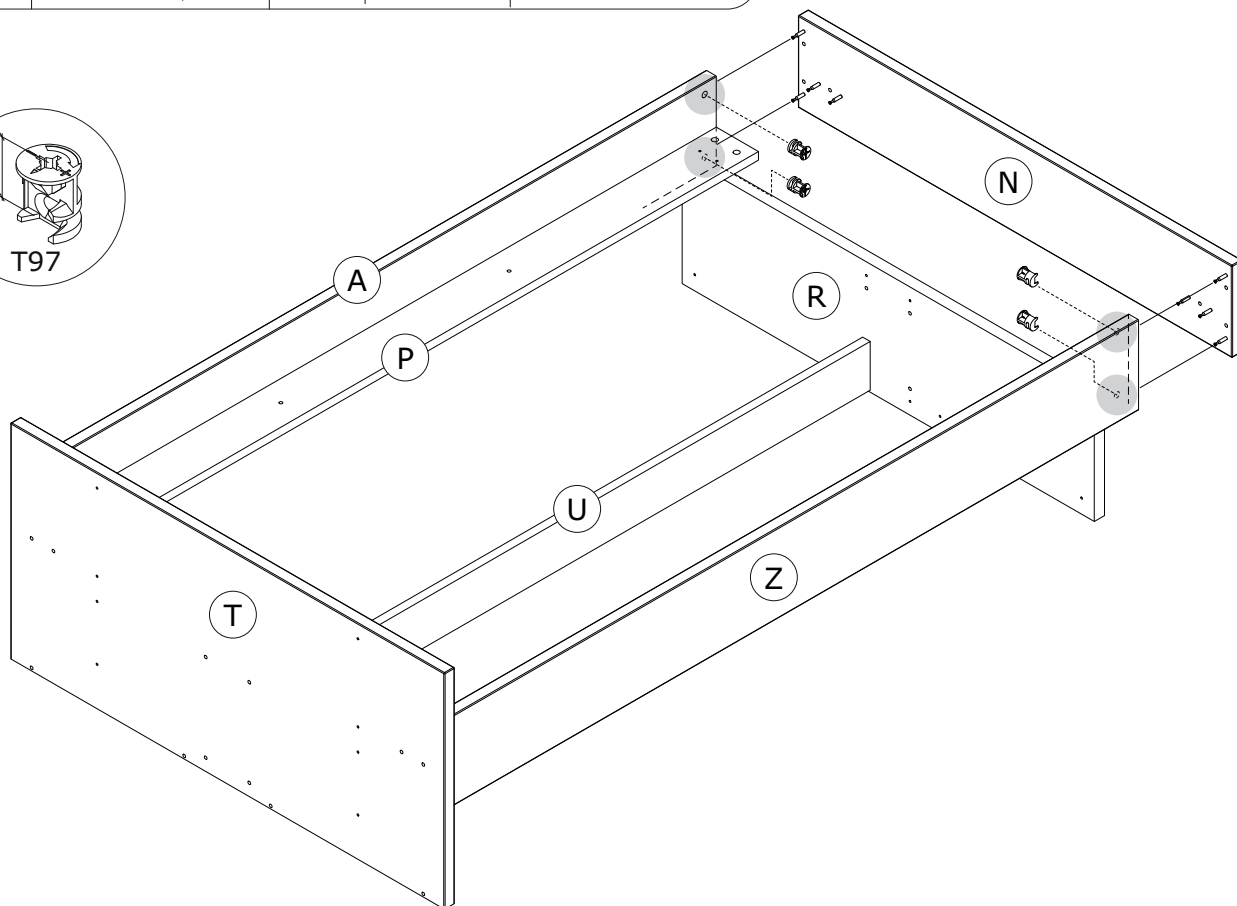
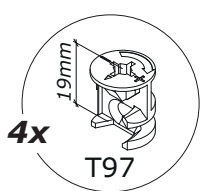
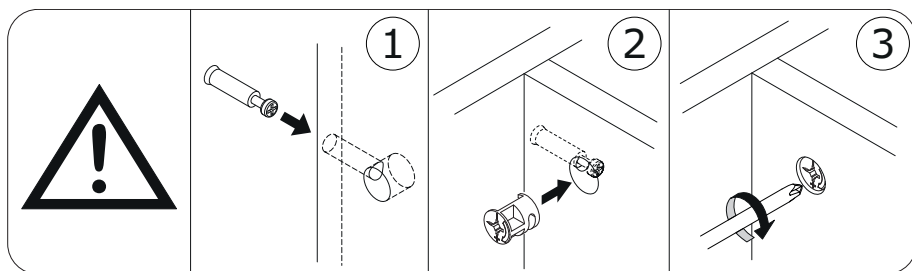
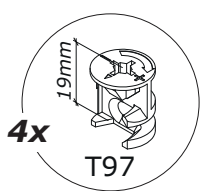
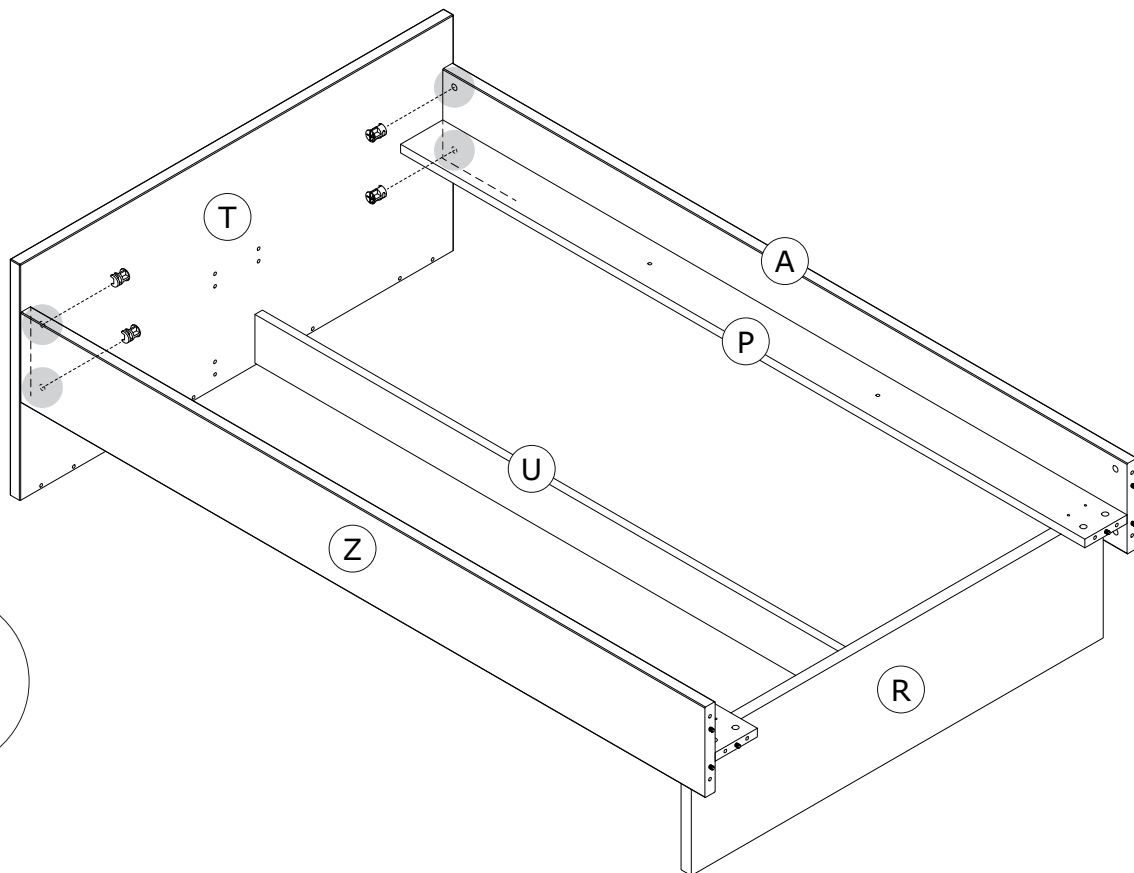
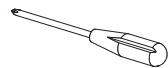
14

A



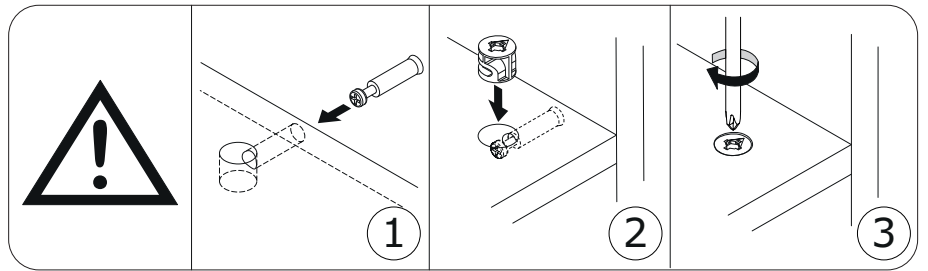
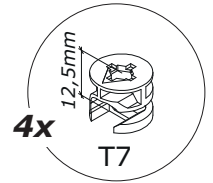
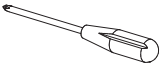
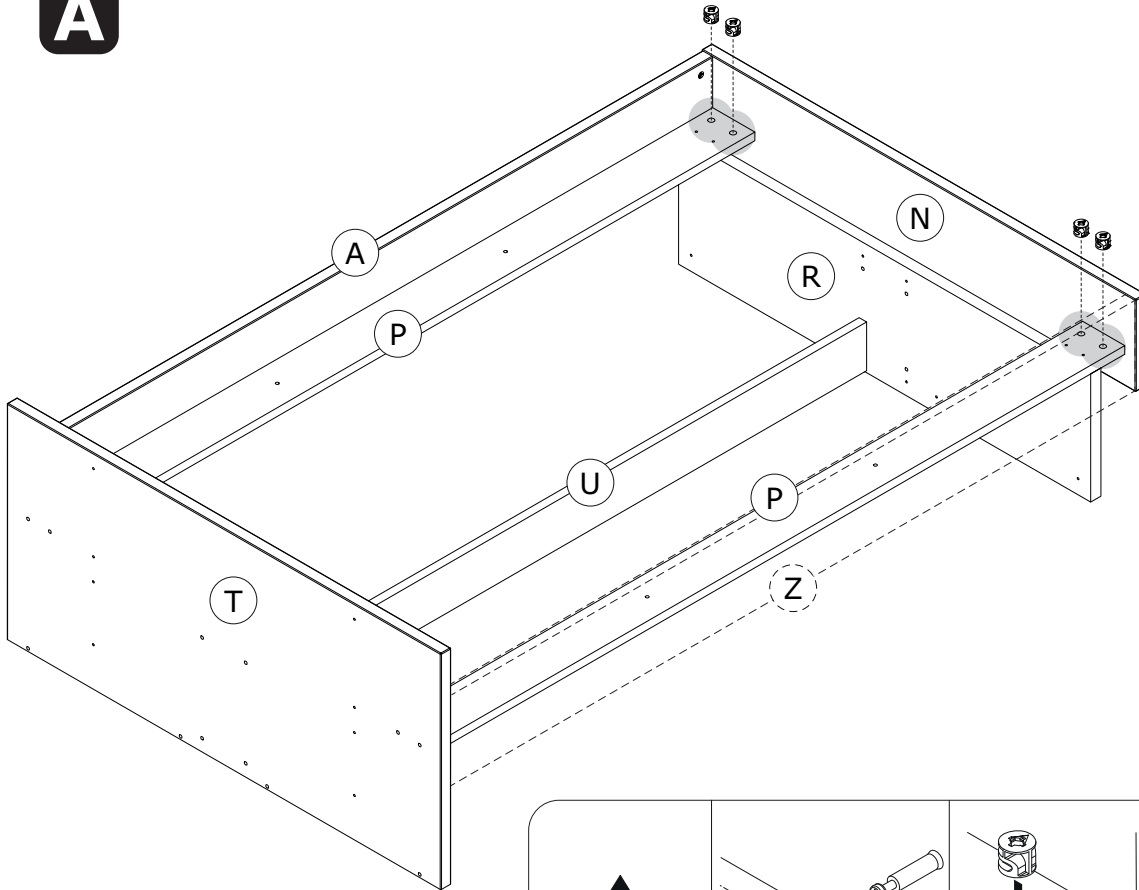
15

A



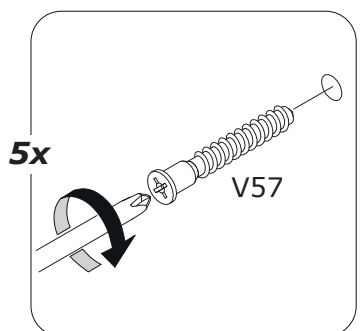
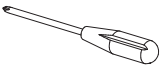
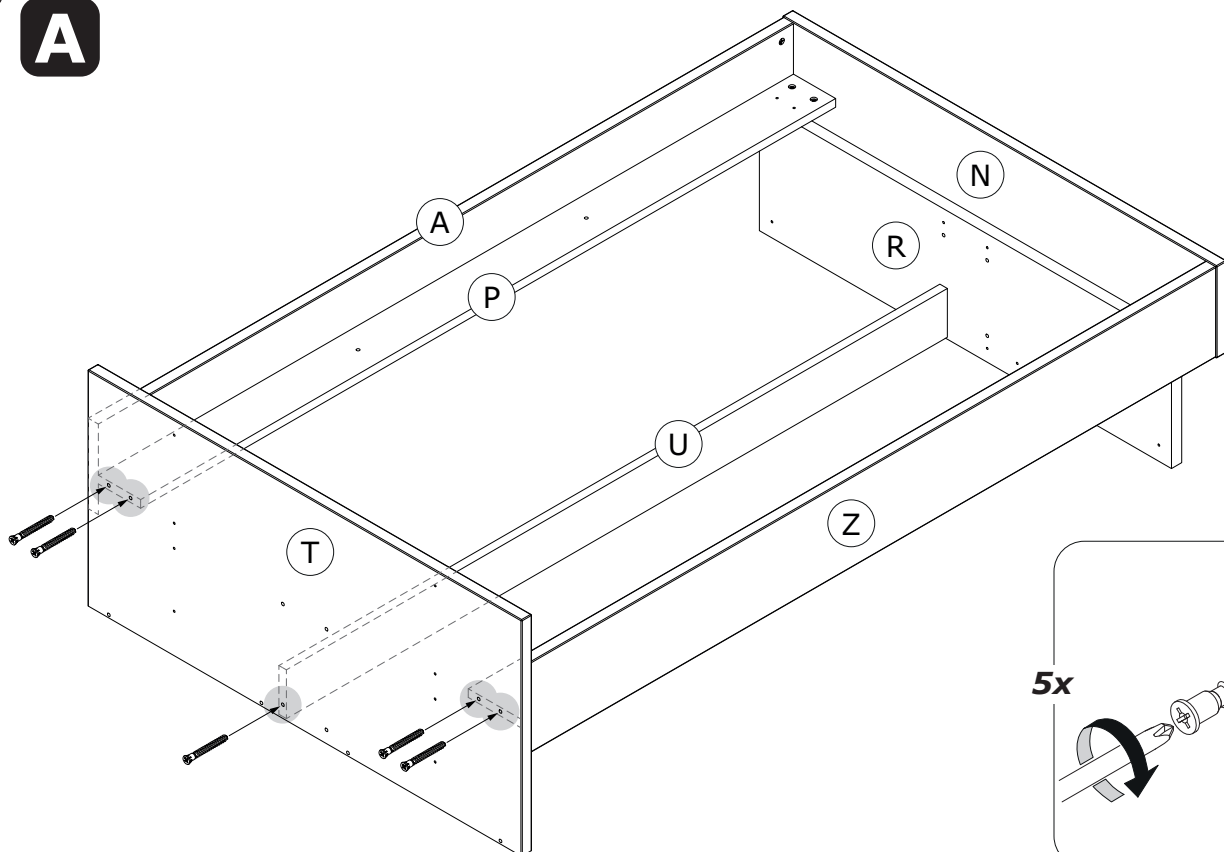
16

A



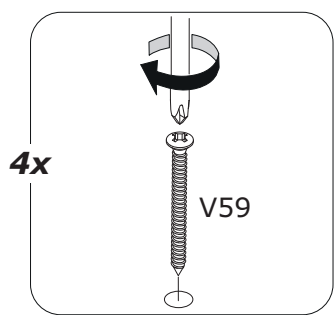
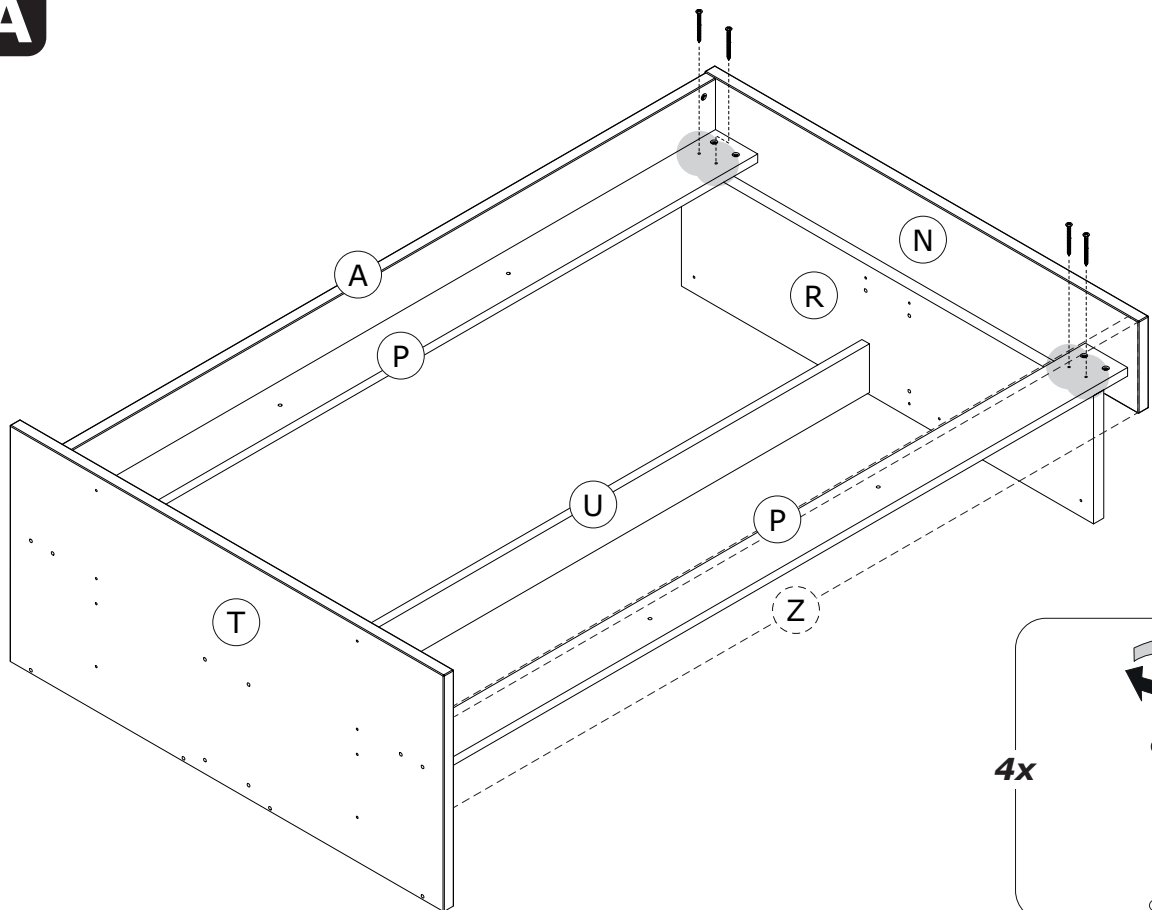
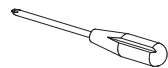
17

A



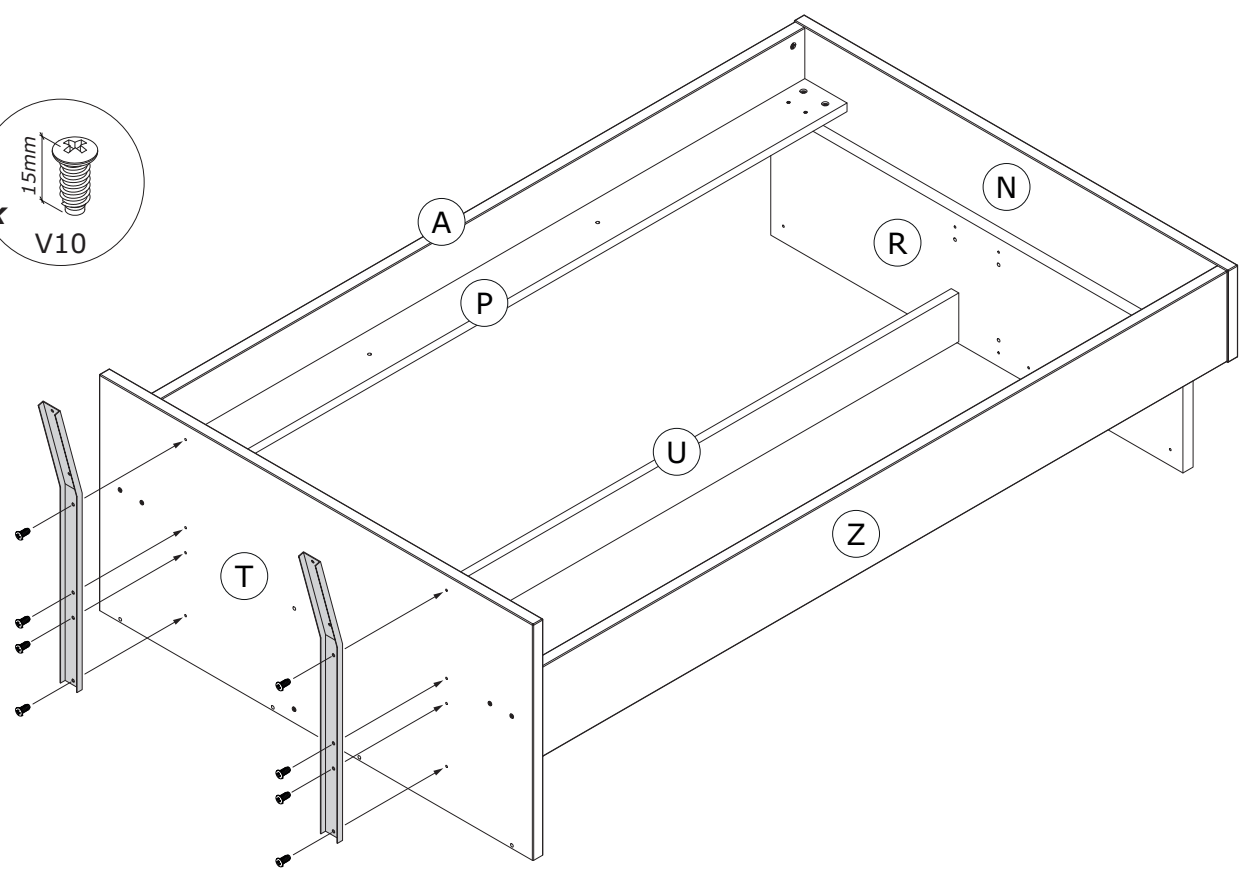
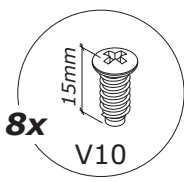
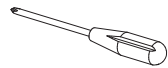
18

A



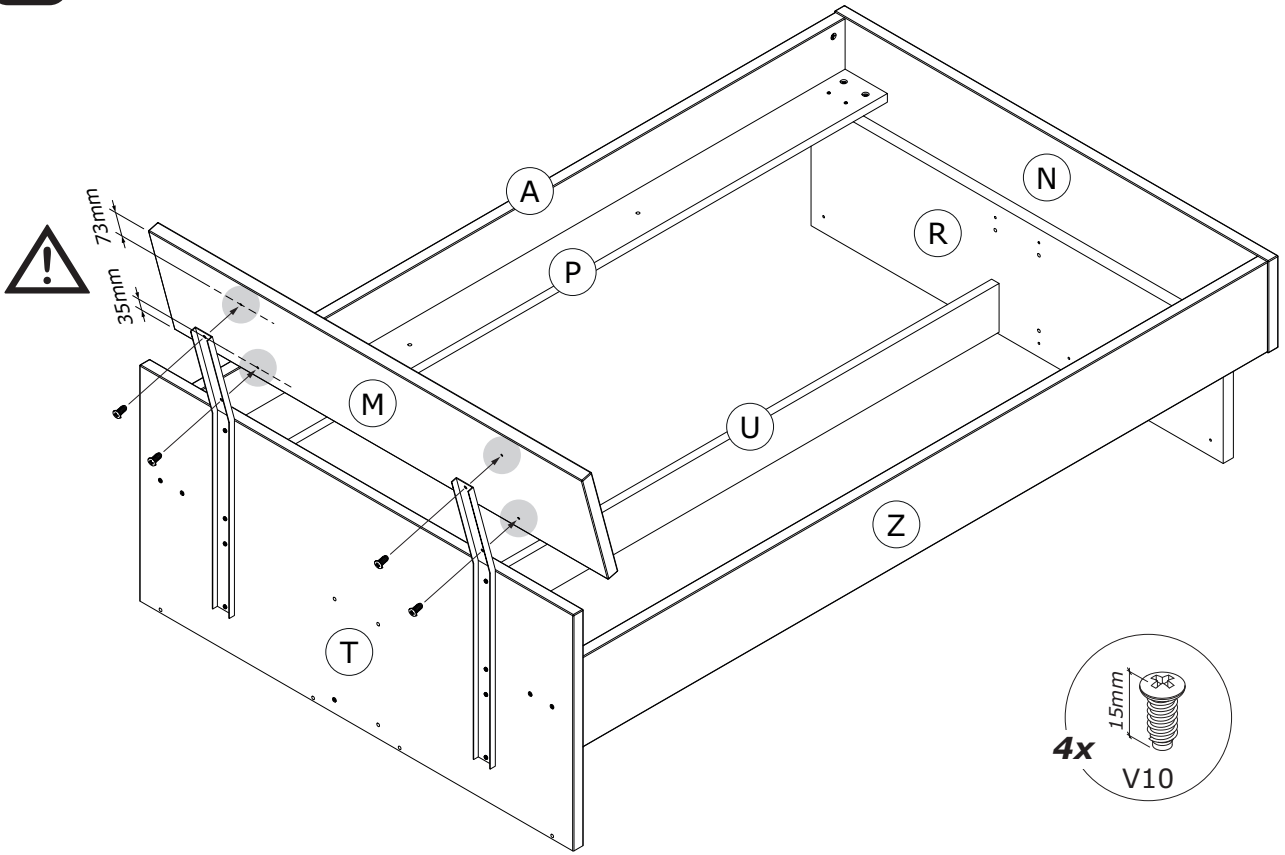
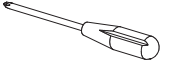
19

A



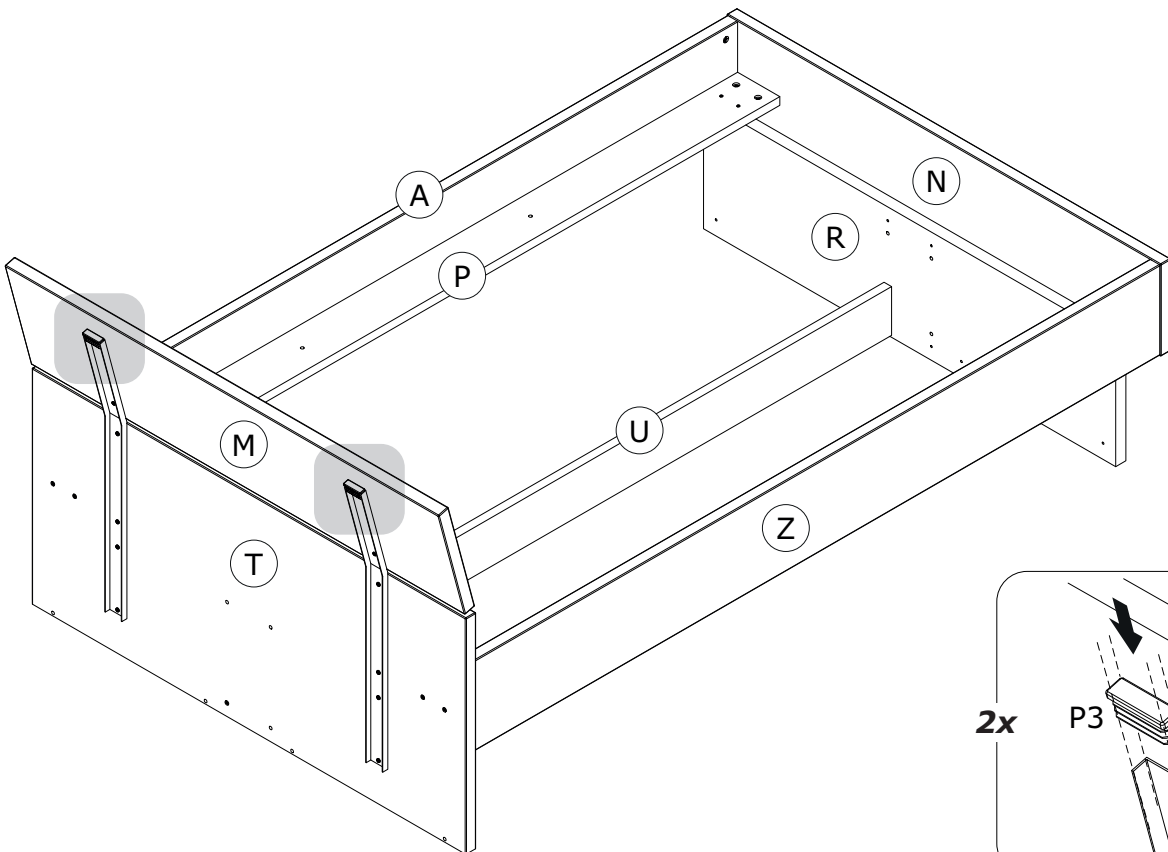
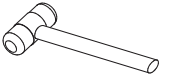
20

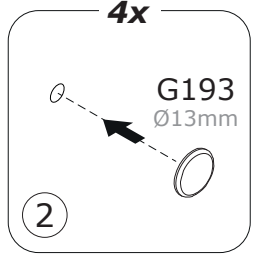
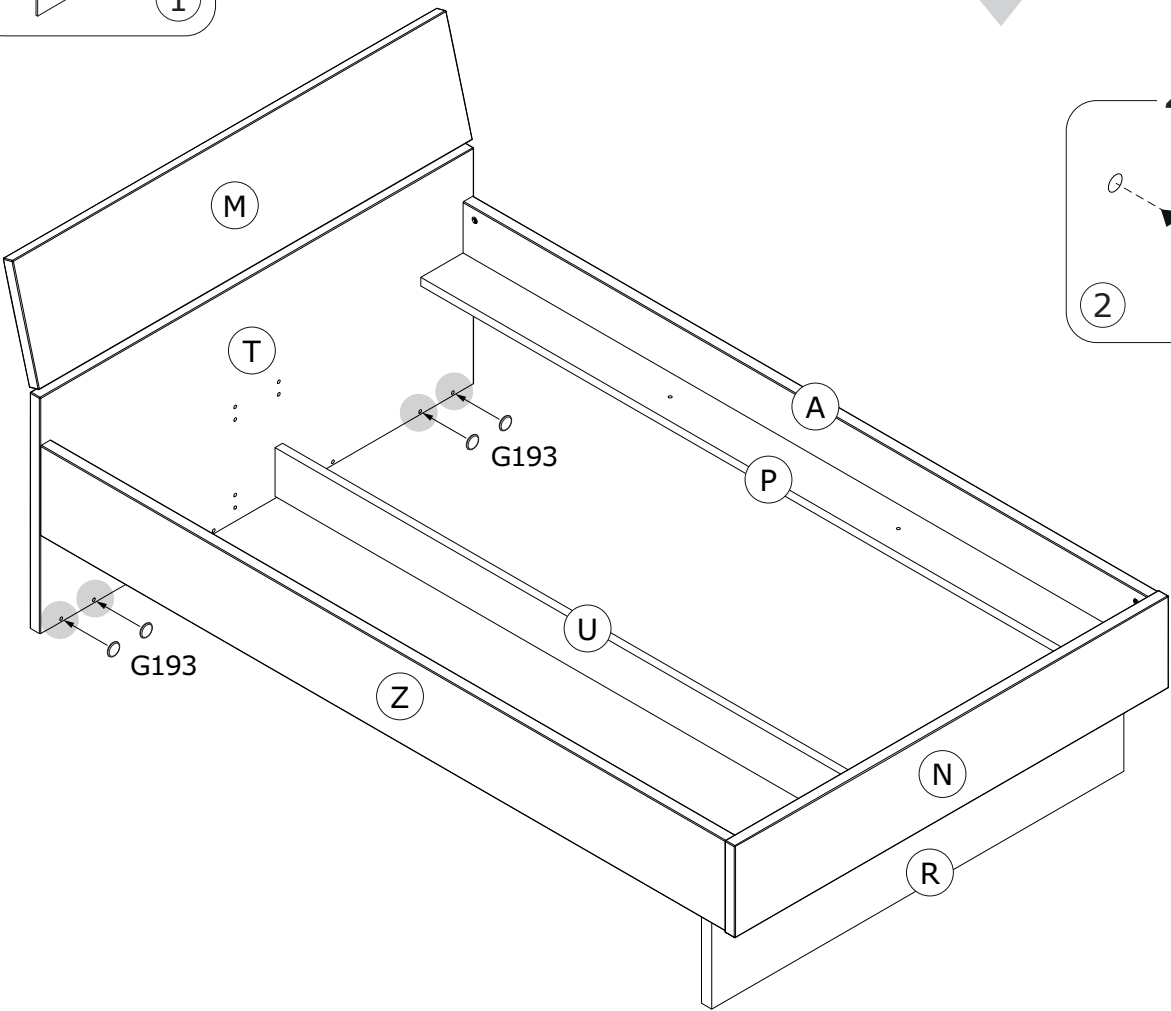
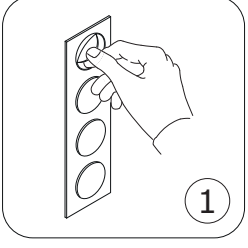
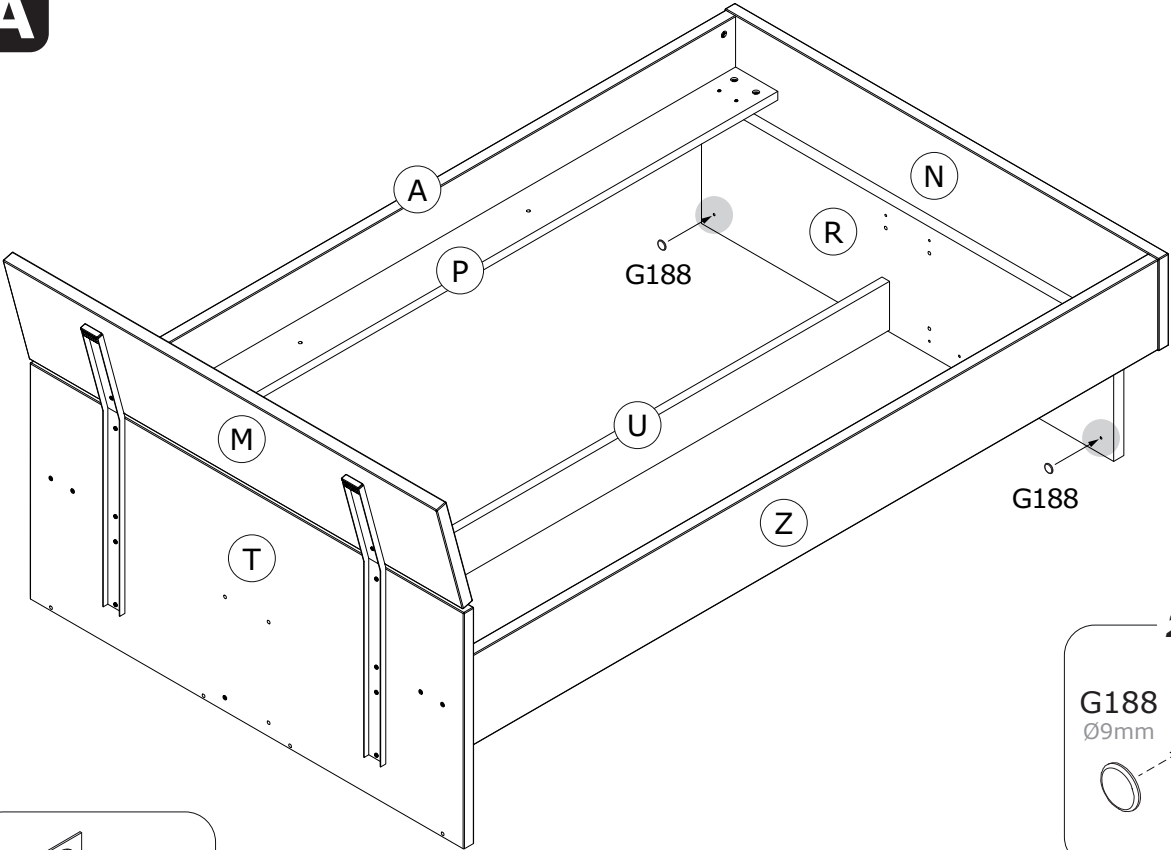
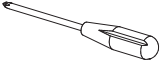
A



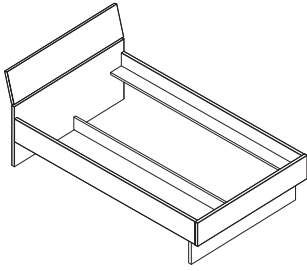
21

A

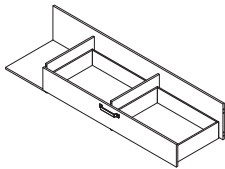




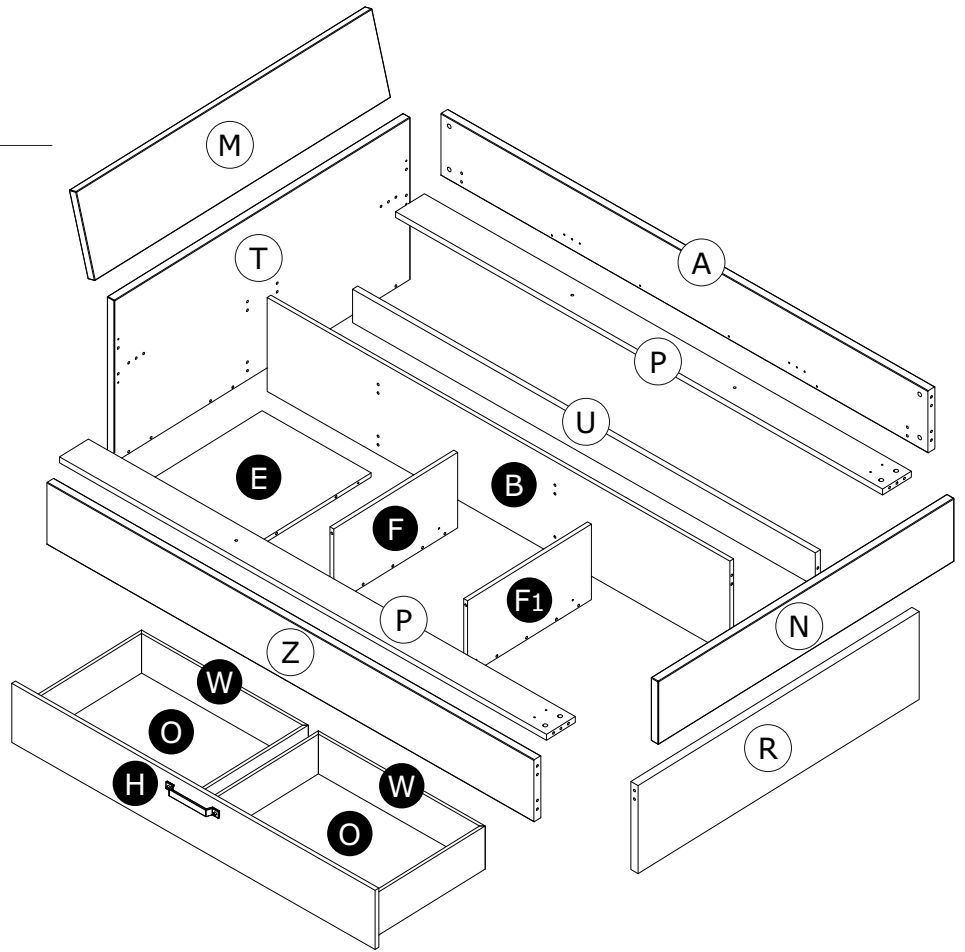
B



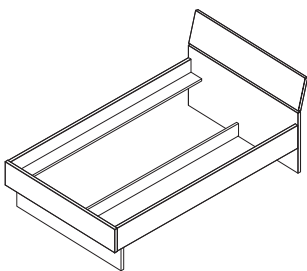
LT2102



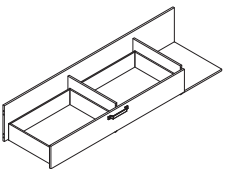
CS2110



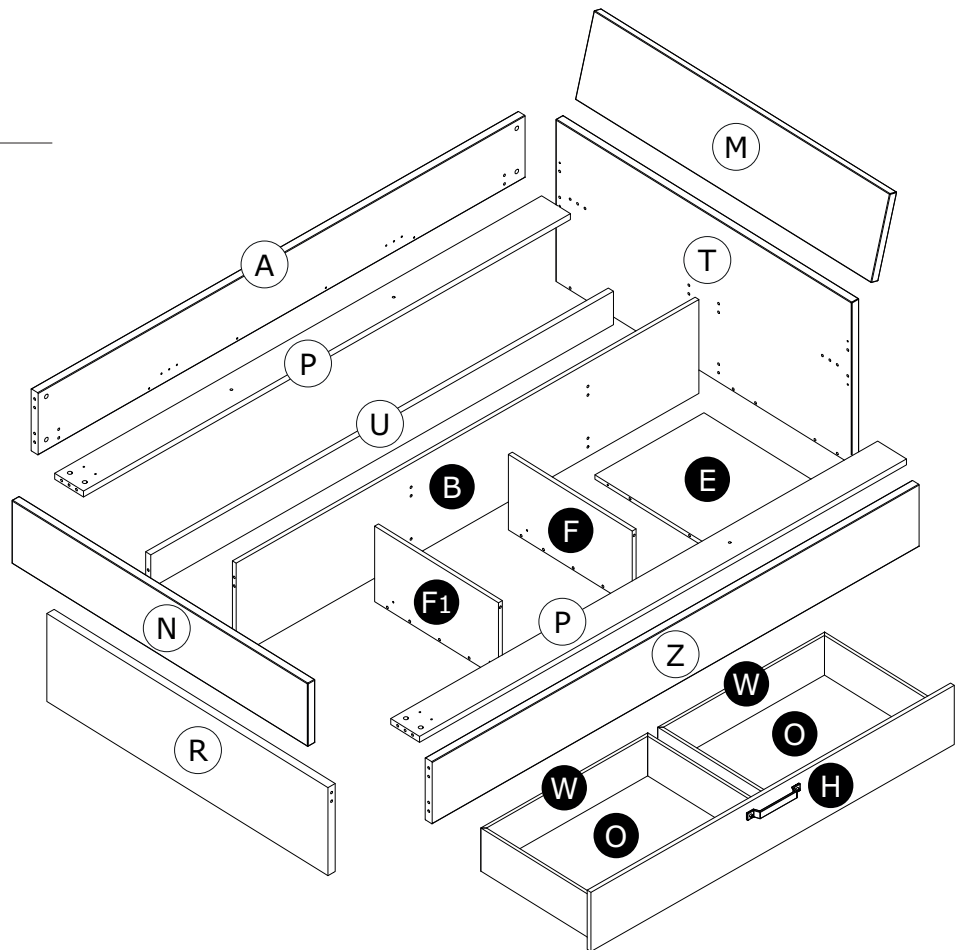
C



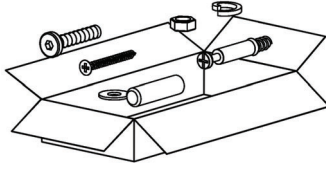
LT2102



CS2110

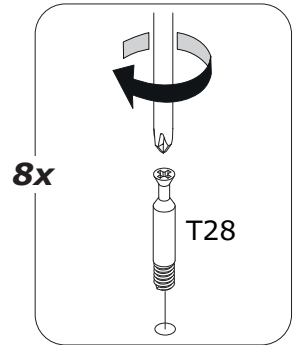
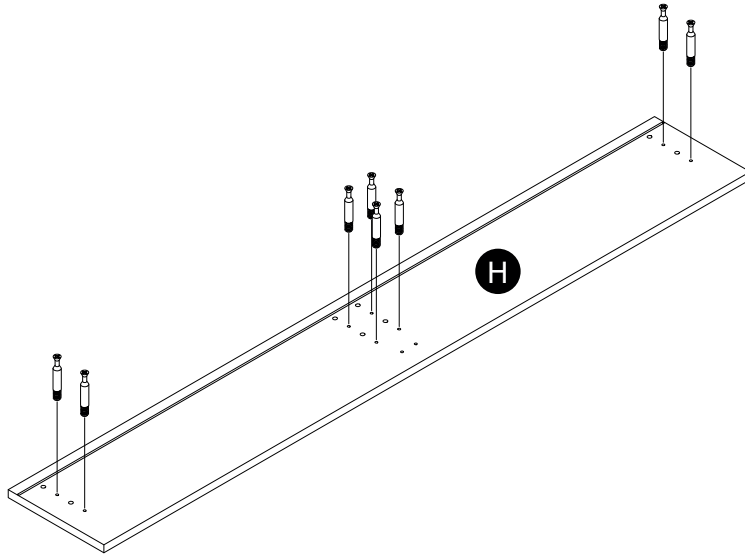


CS2110 →



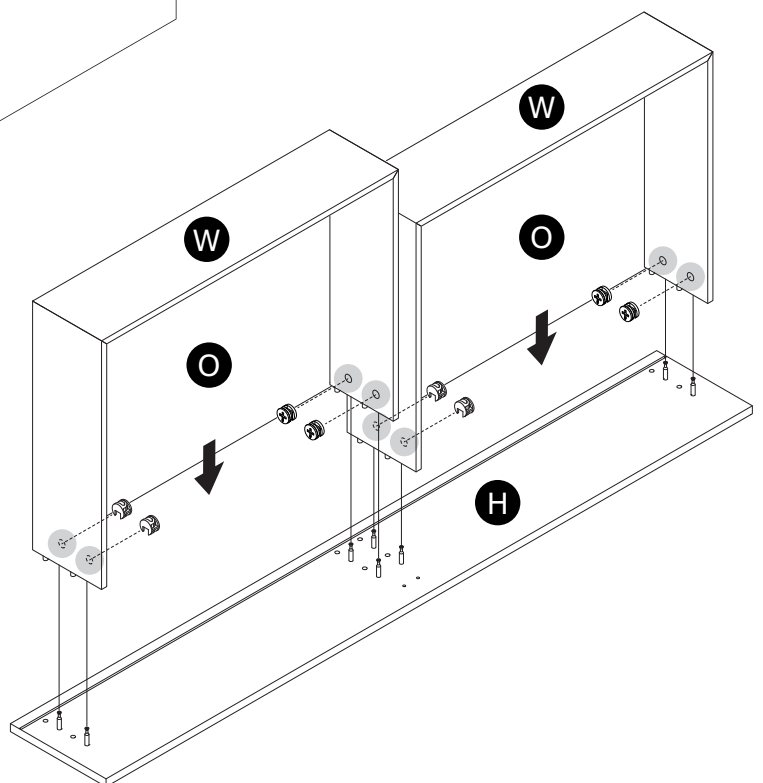
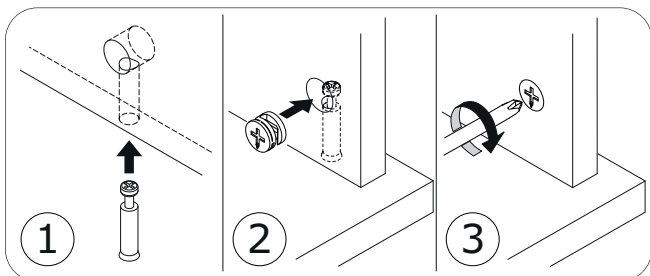
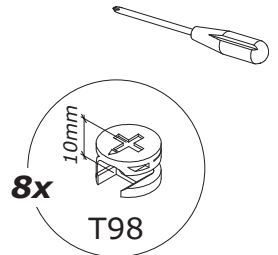
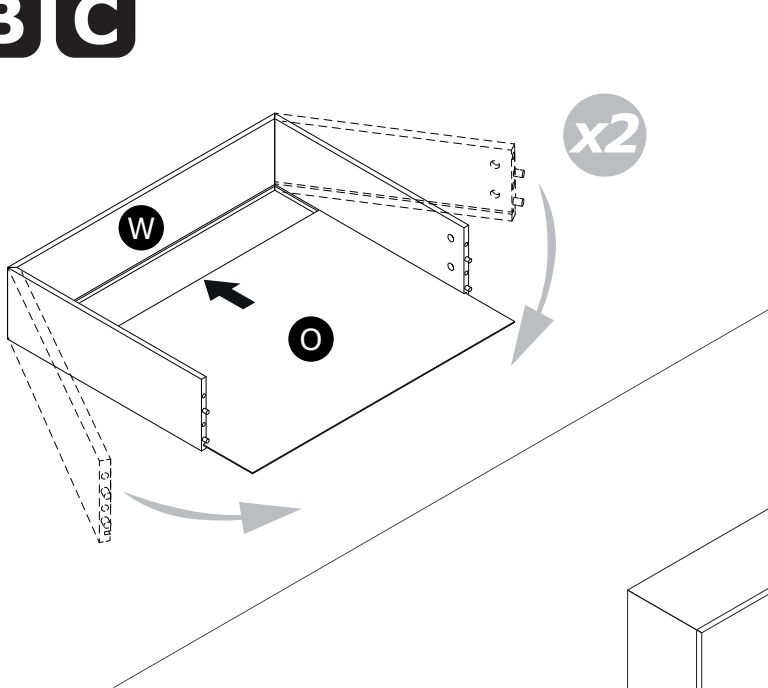
23

B C



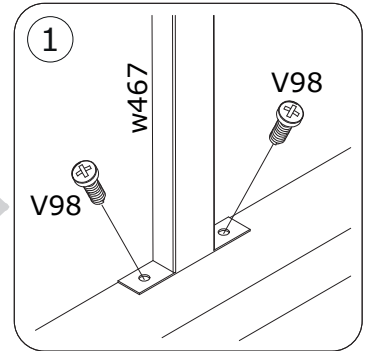
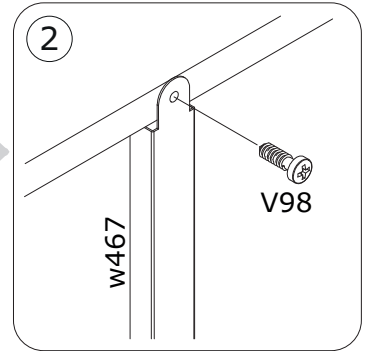
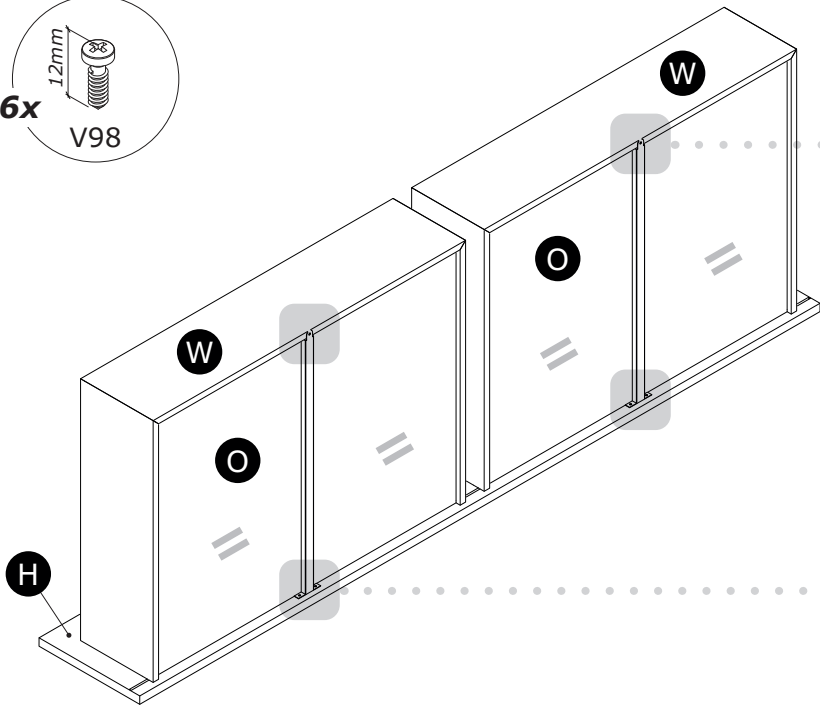
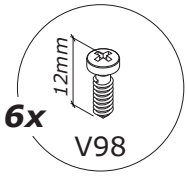
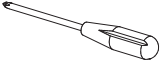
24

B C



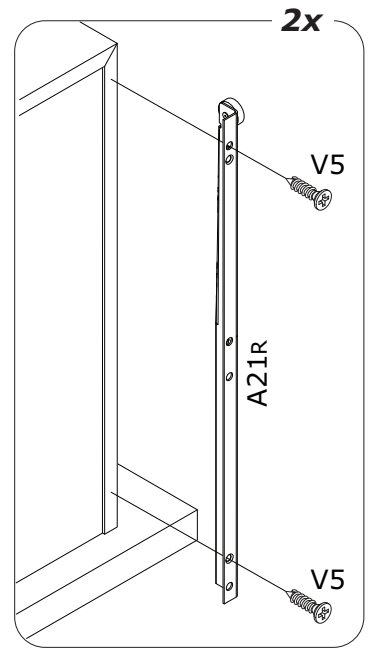
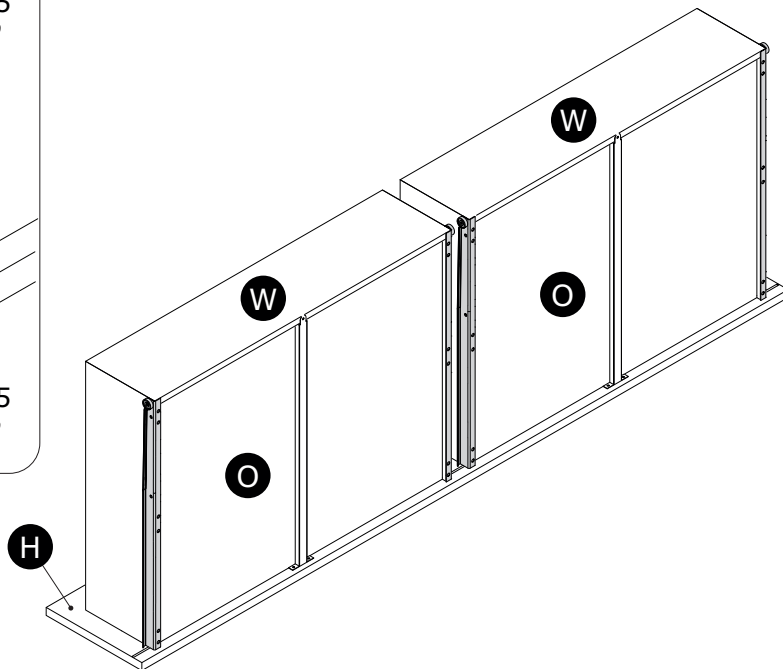
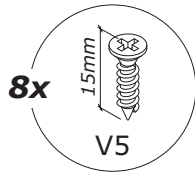
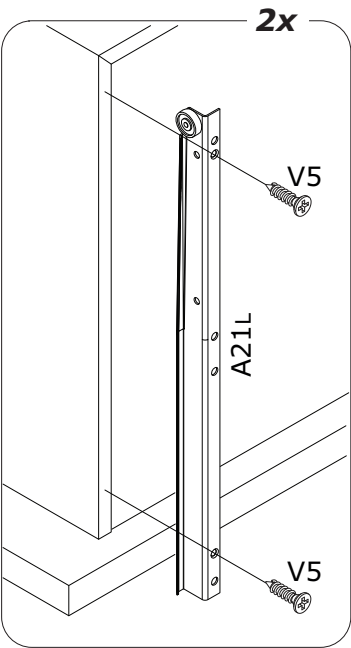
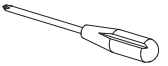
25

B C



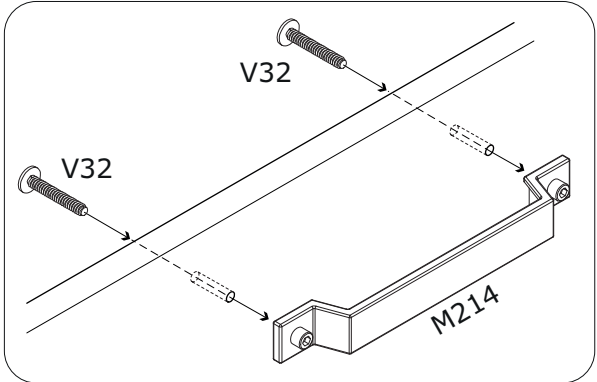
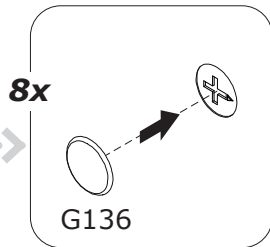
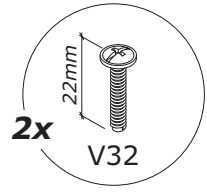
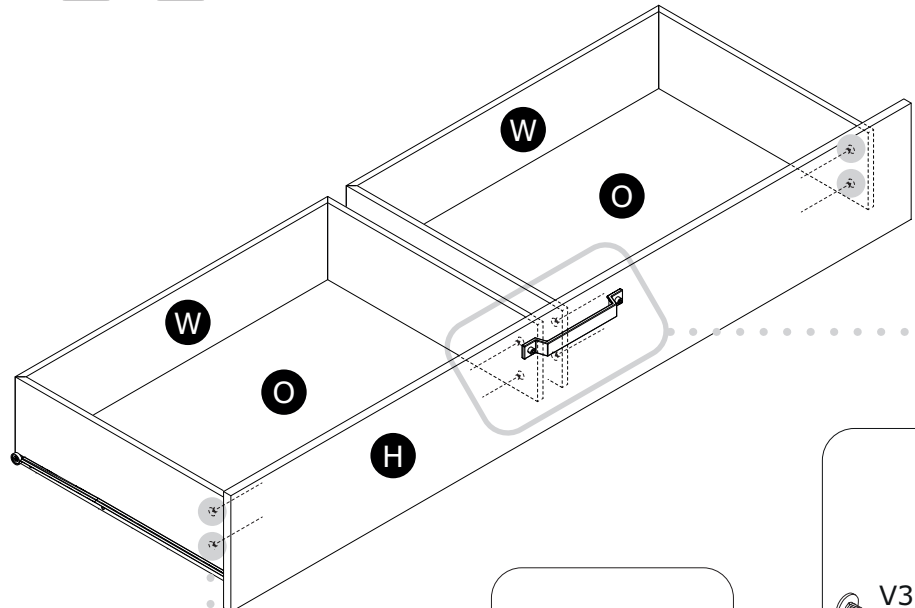
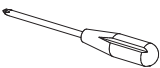
26

B C



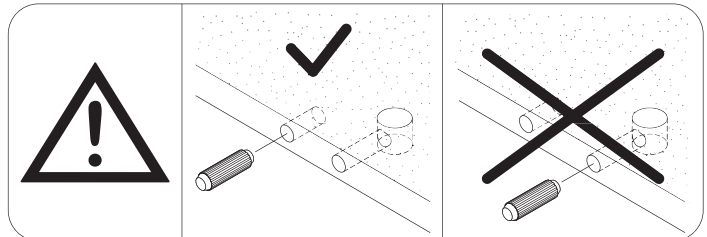
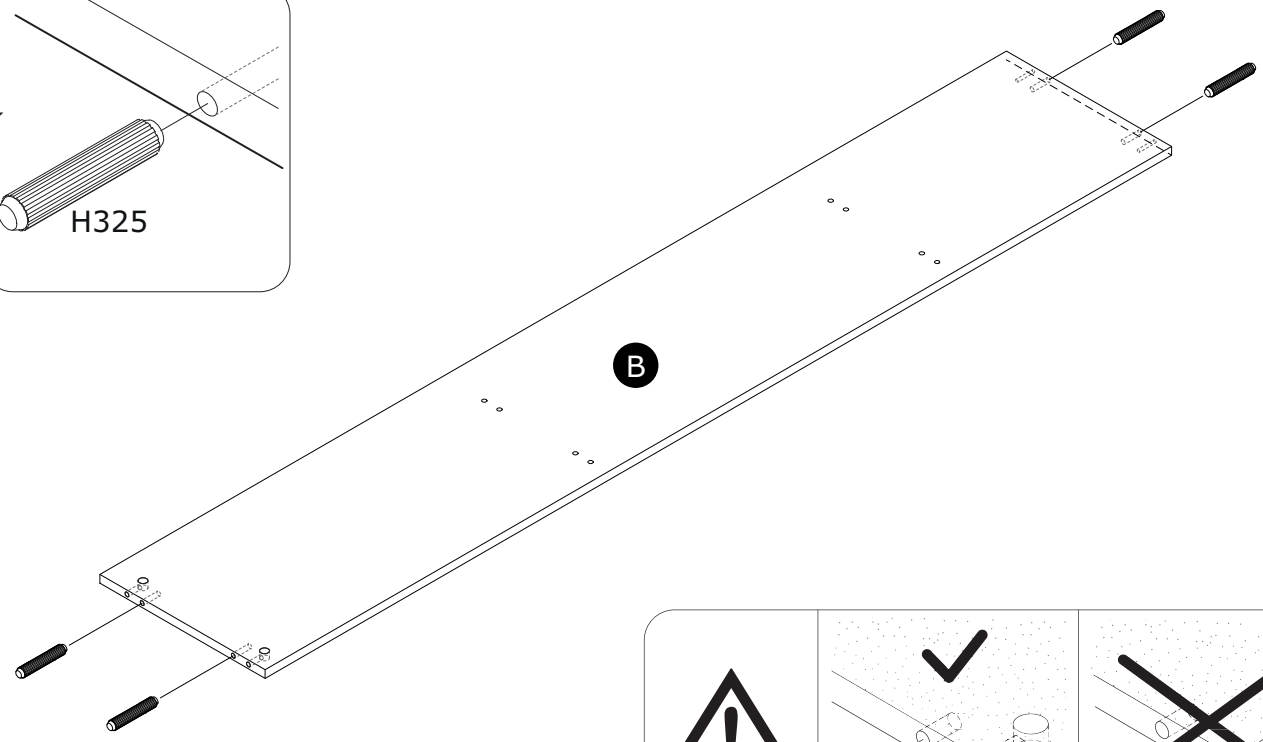
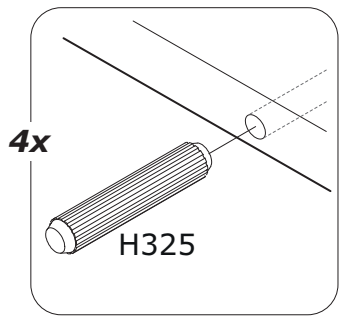
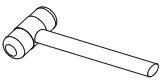
27

B C



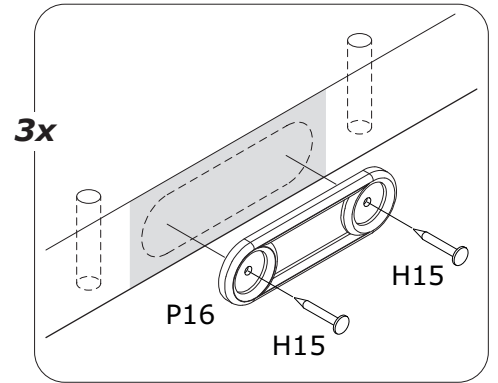
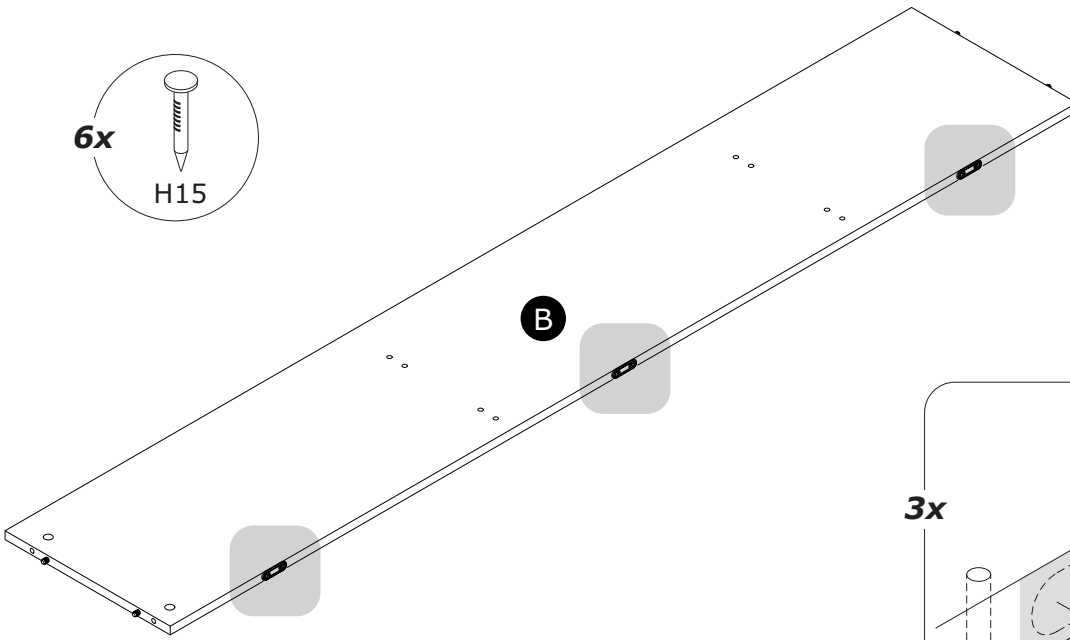
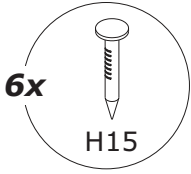
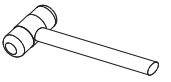
28

B C



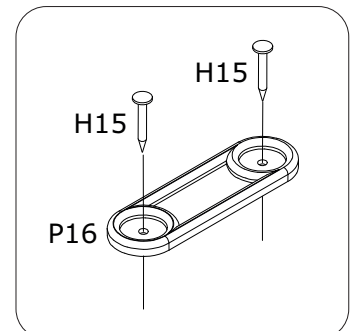
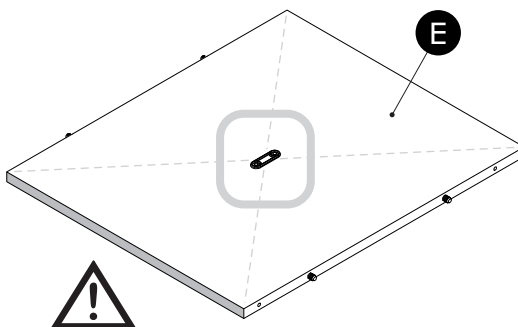
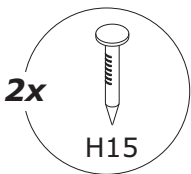
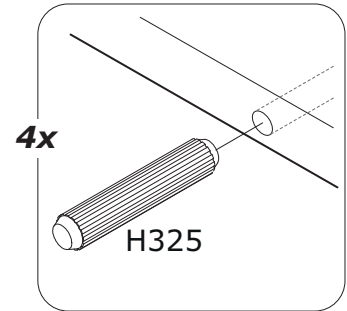
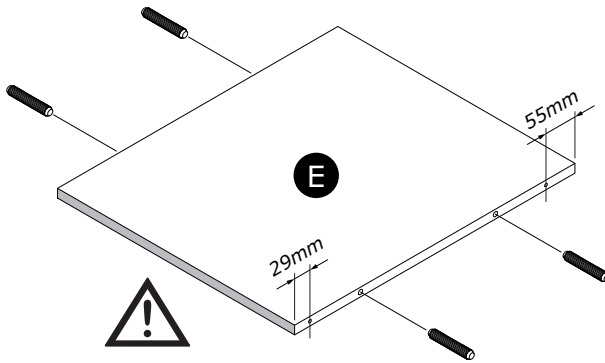
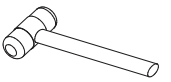
29

B C



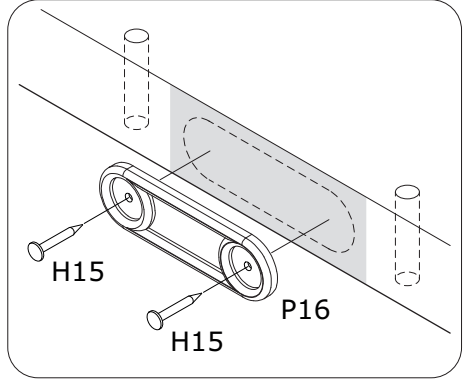
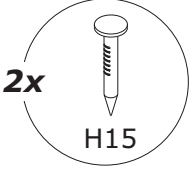
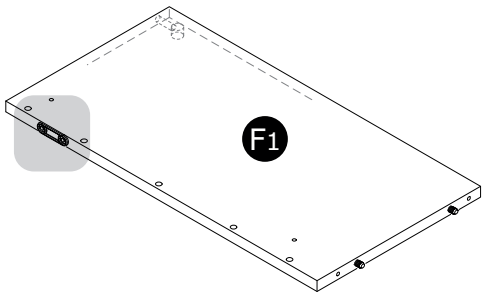
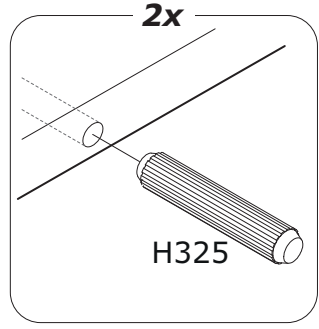
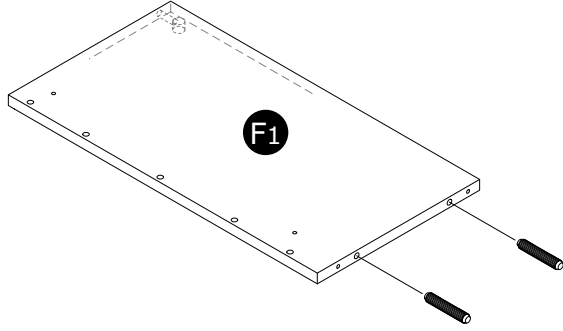
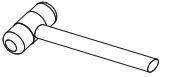
30

B C



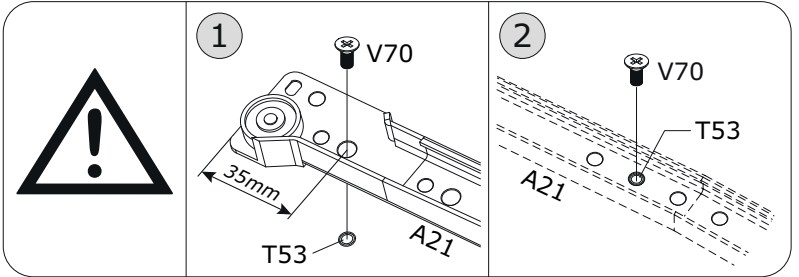
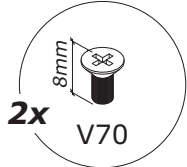
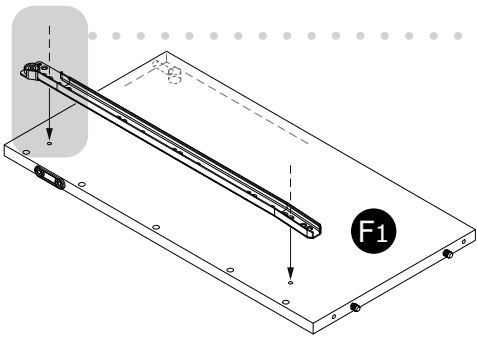
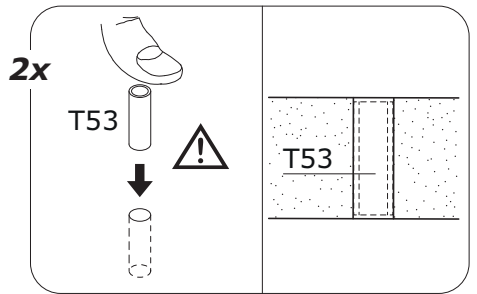
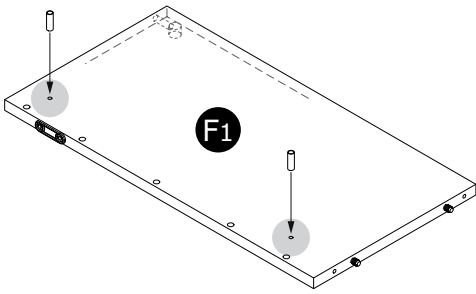
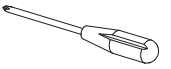
31

B C



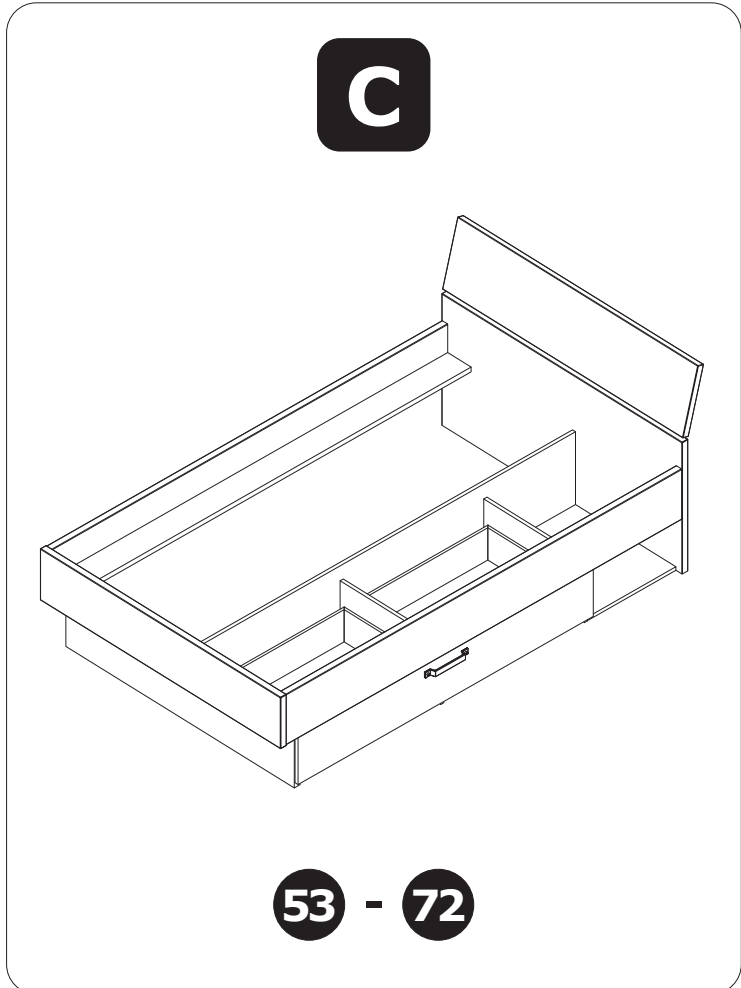
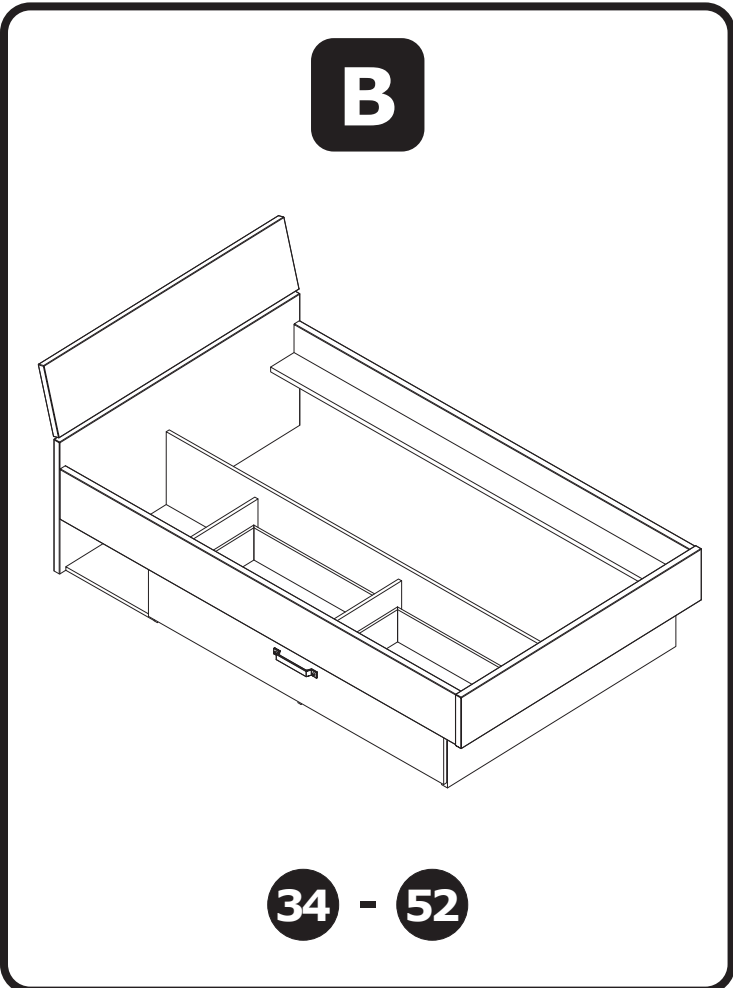
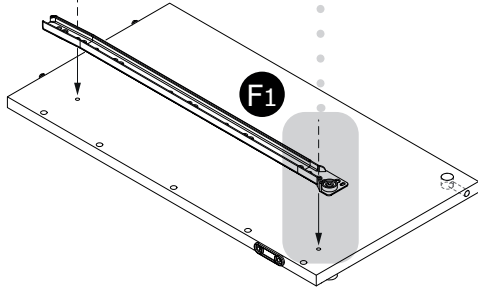
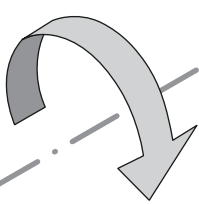
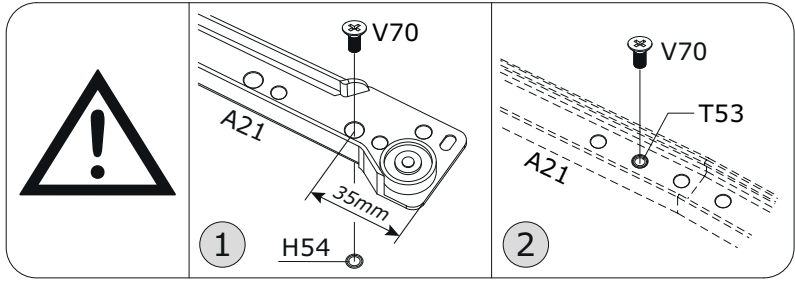
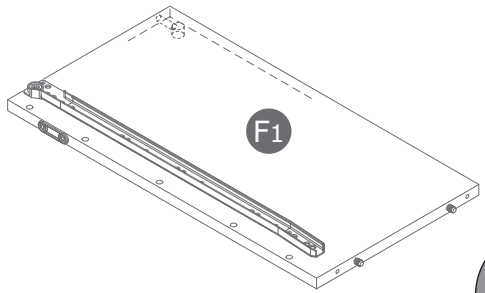
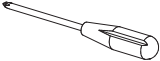
32

B C



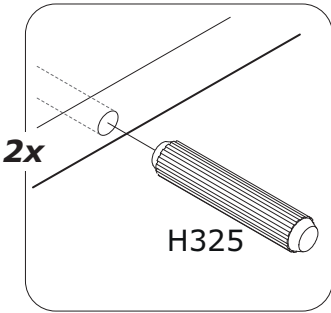
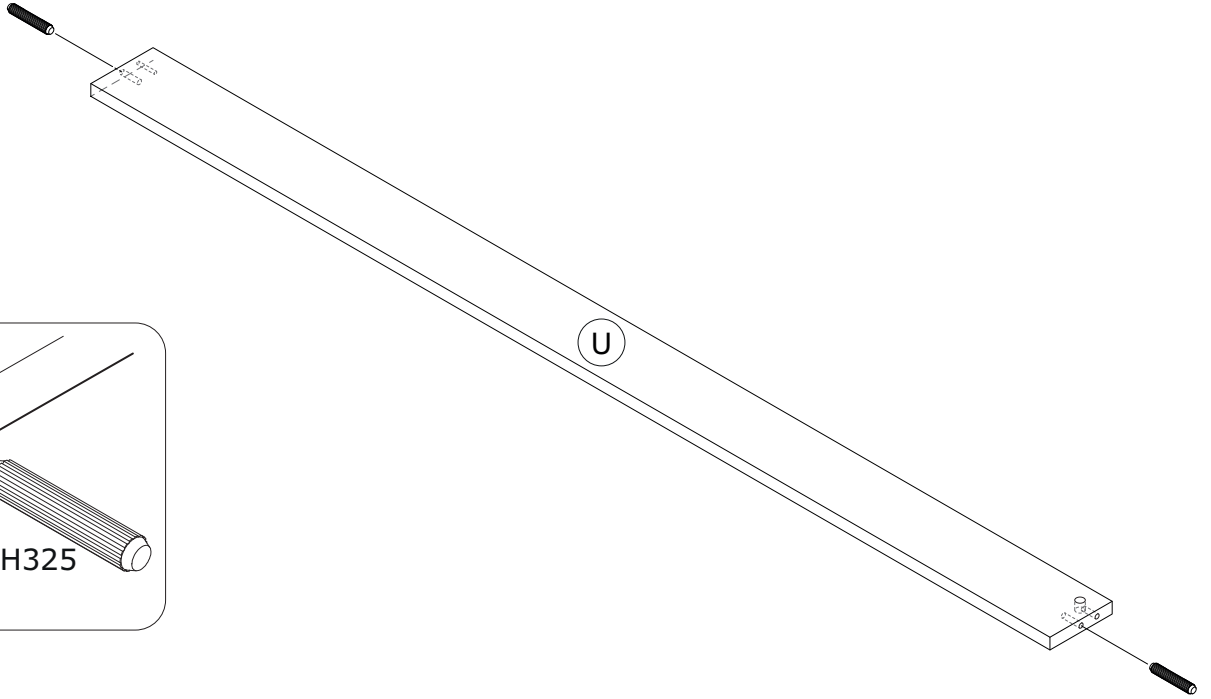
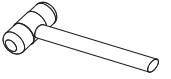
33

B C



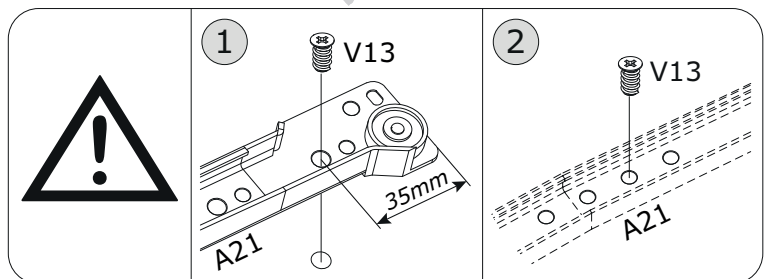
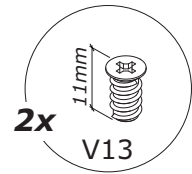
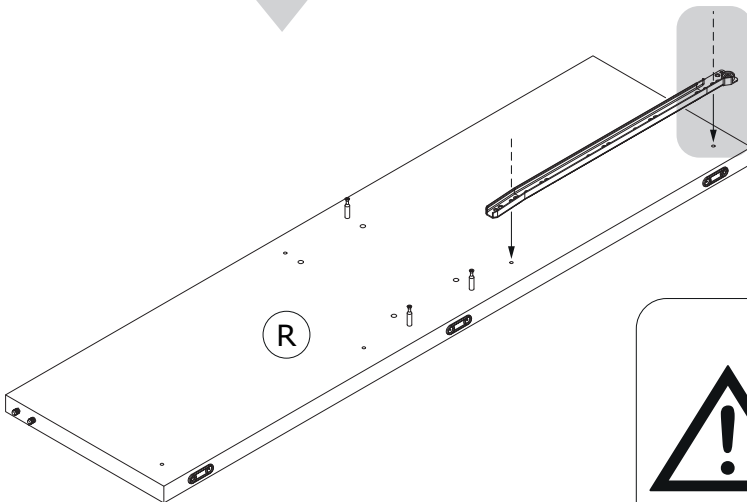
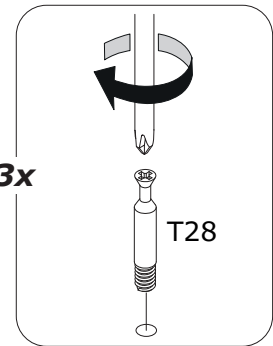
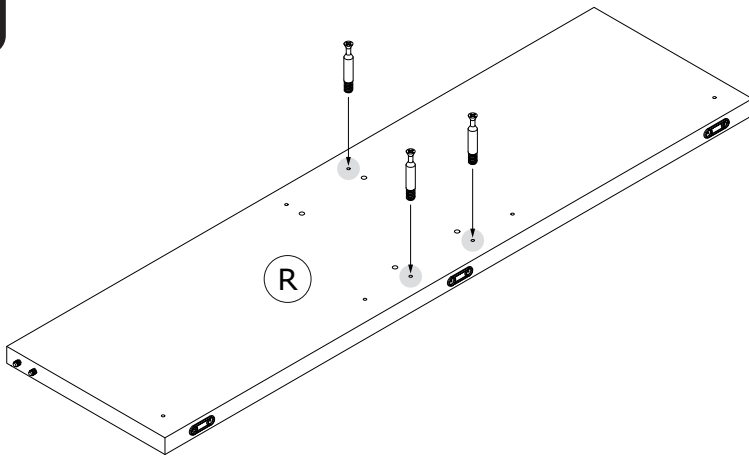
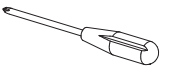
34

B



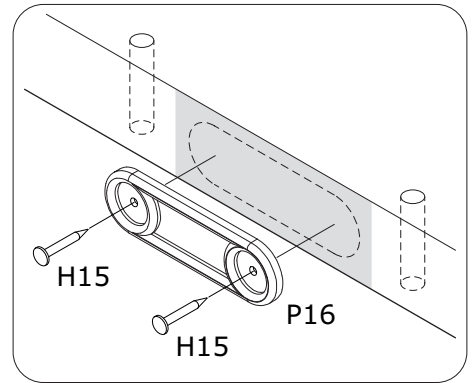
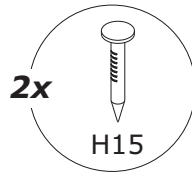
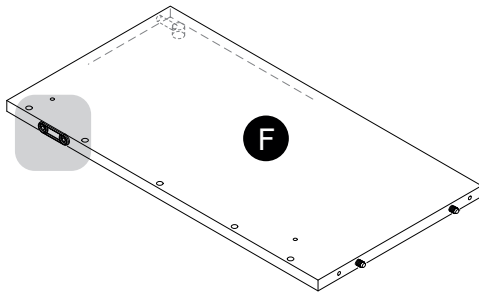
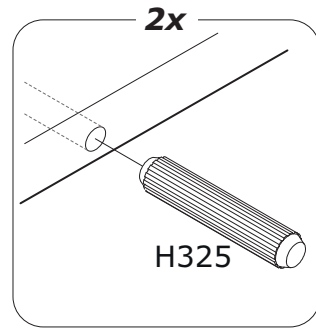
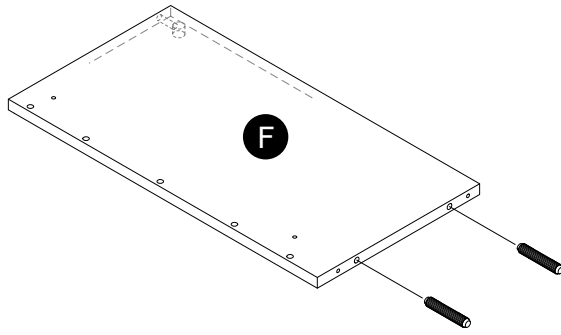
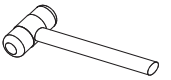
35

B



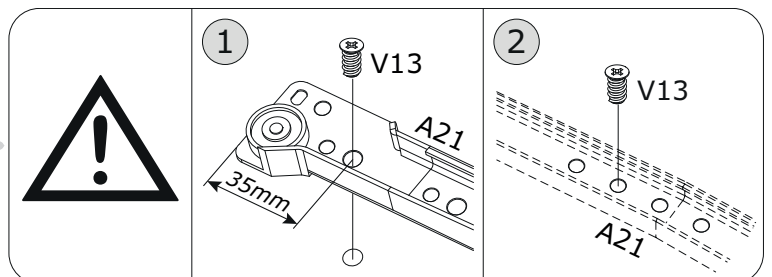
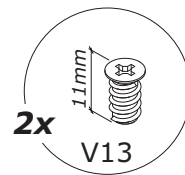
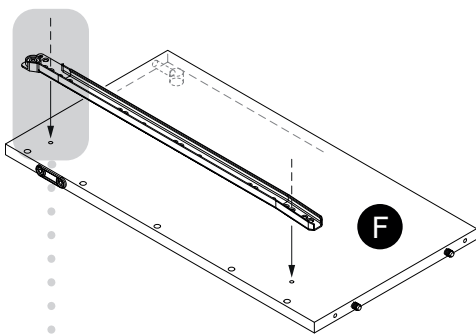
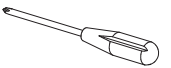
36

B



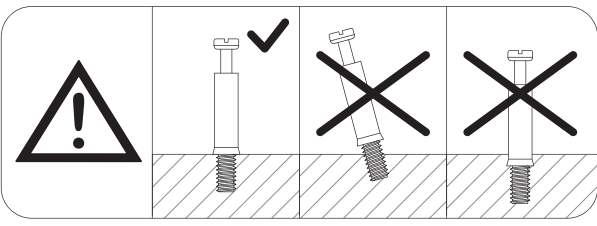
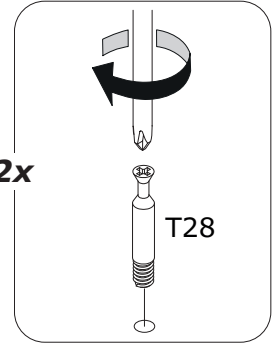
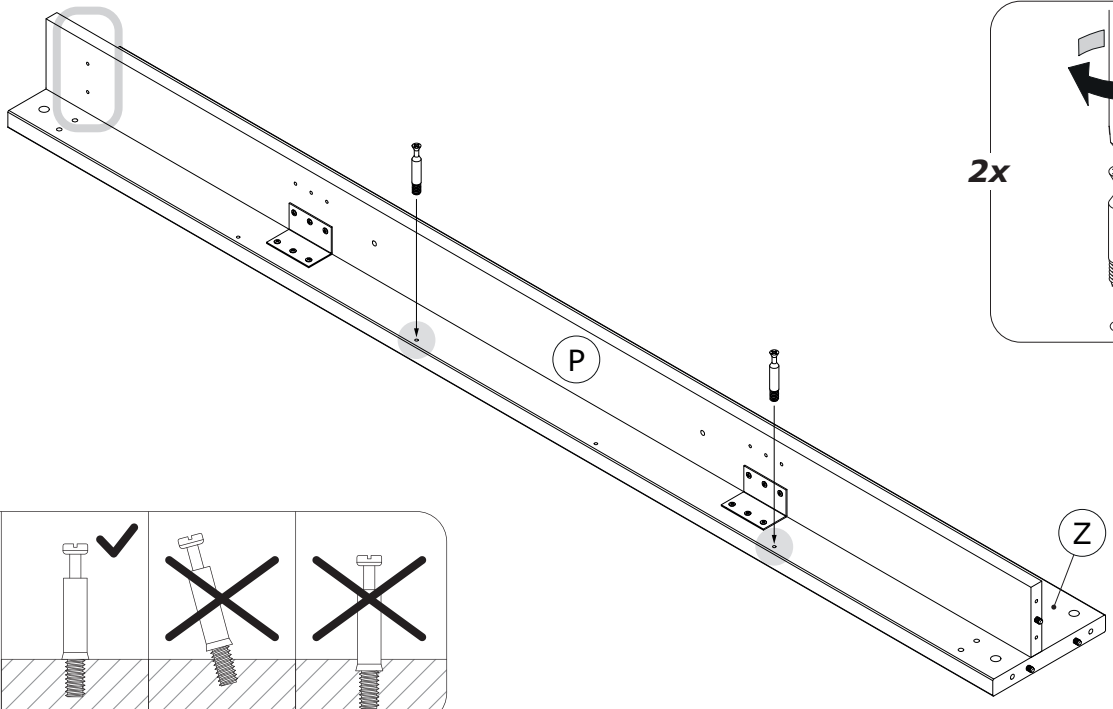
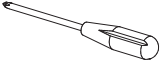
37

B



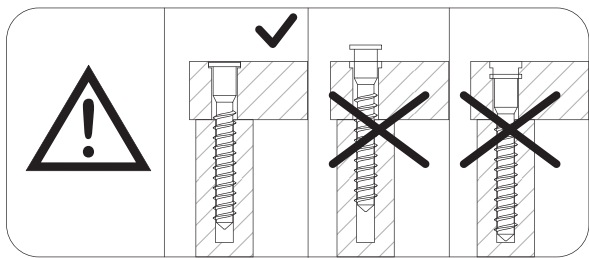
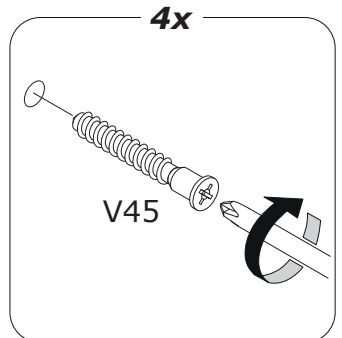
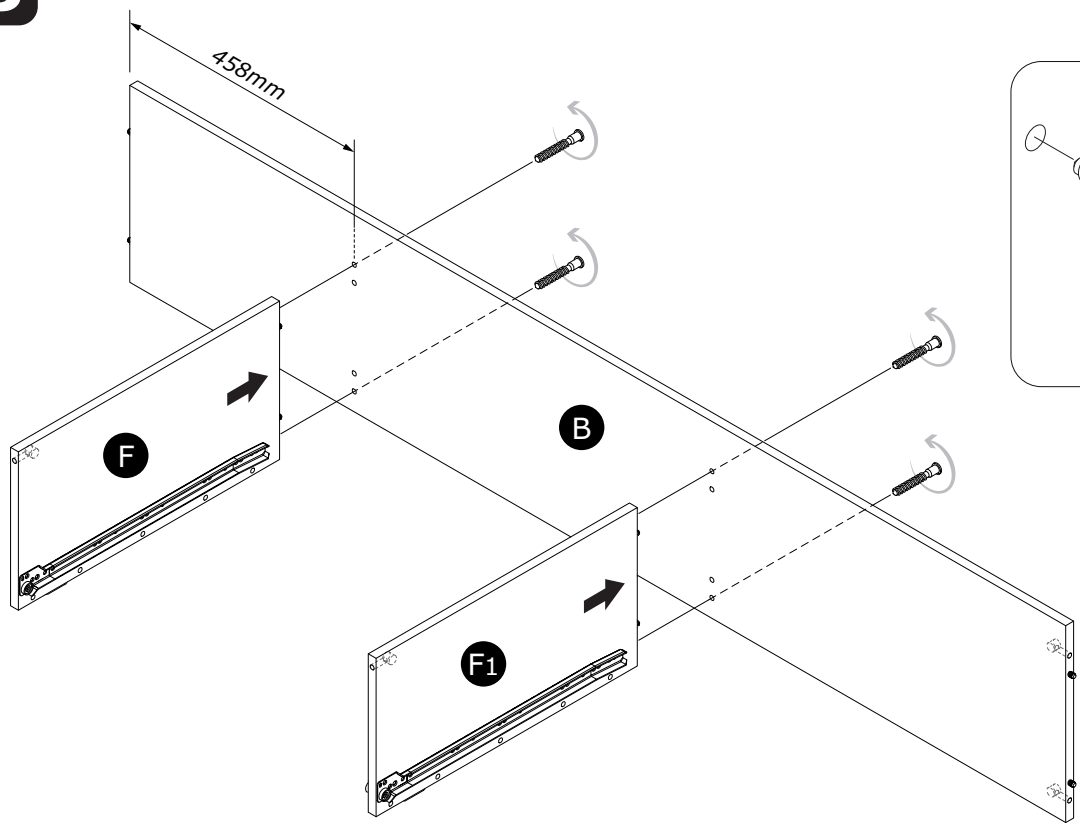
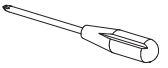
38

B



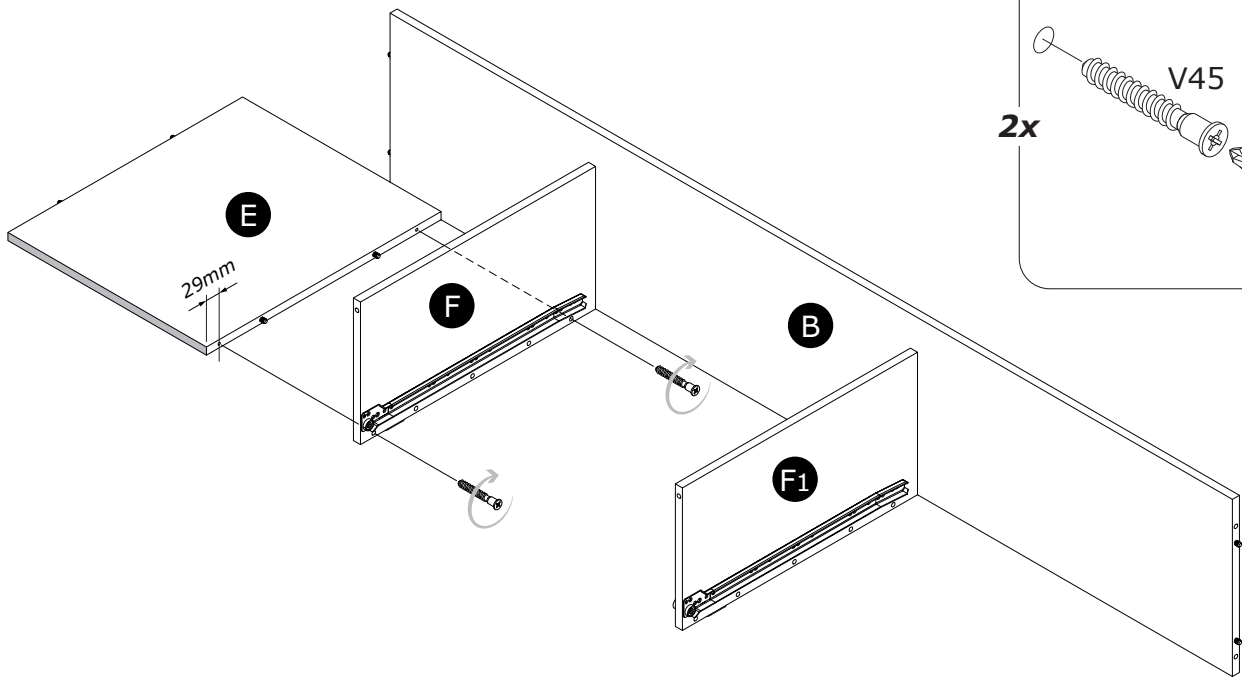
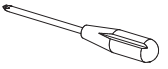
39

B



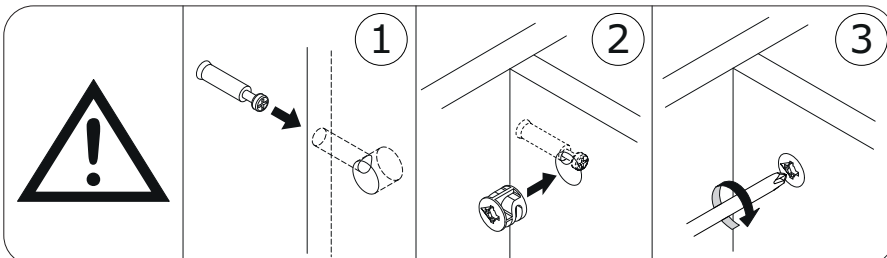
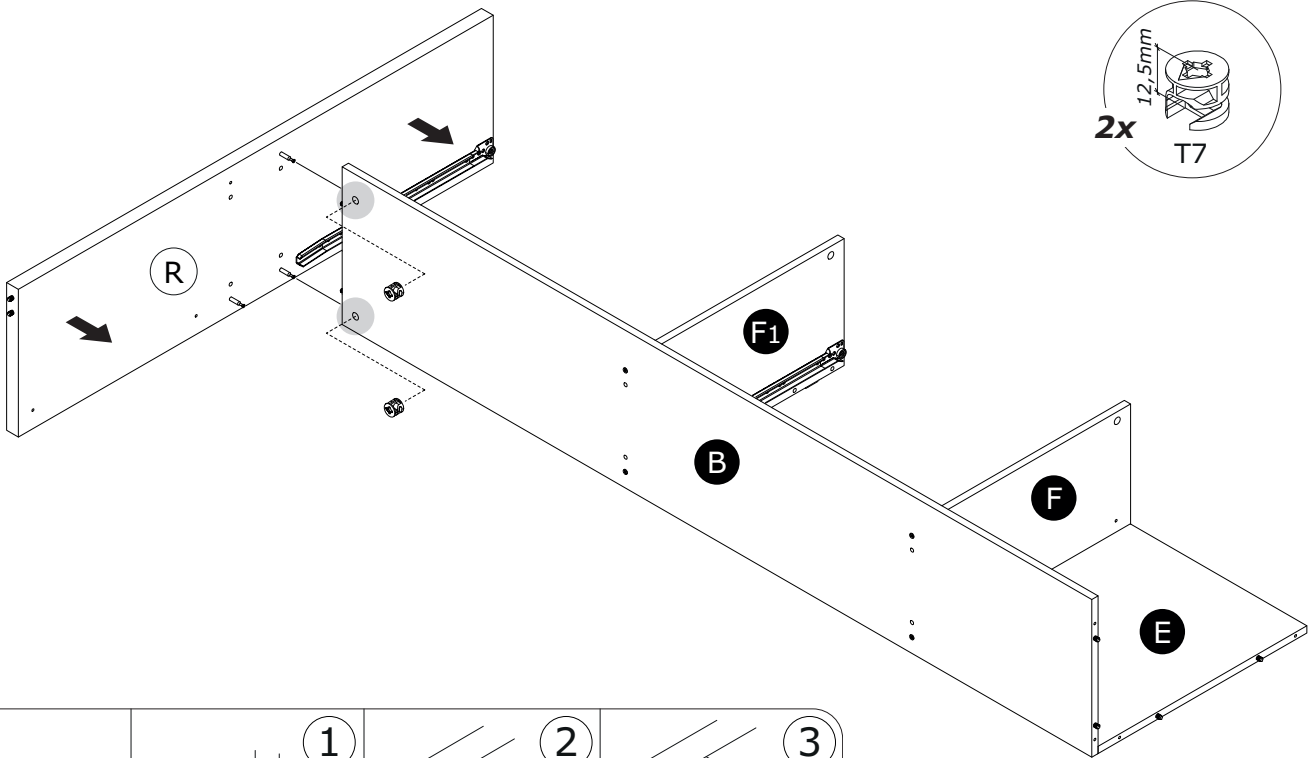
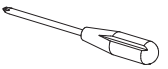
40

B



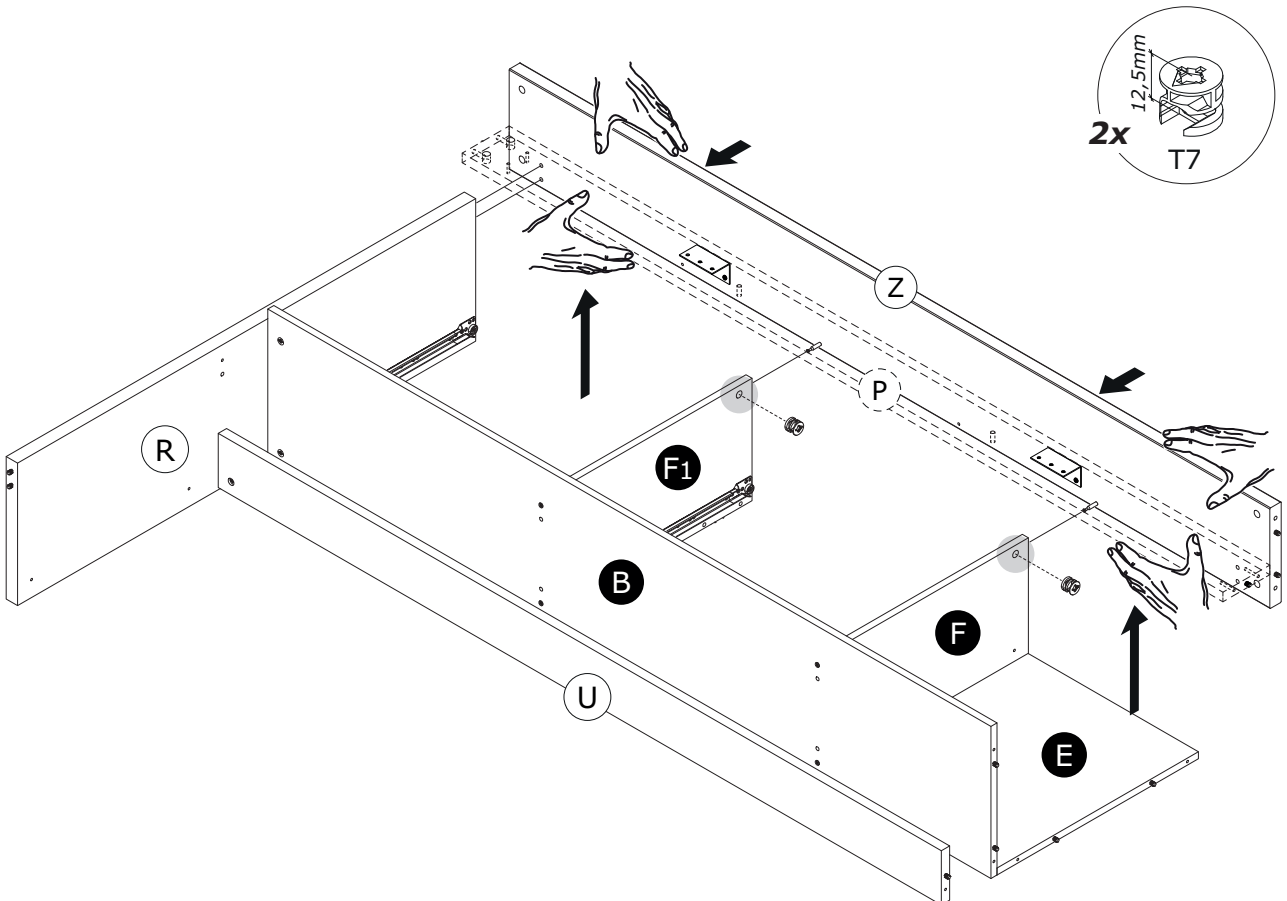
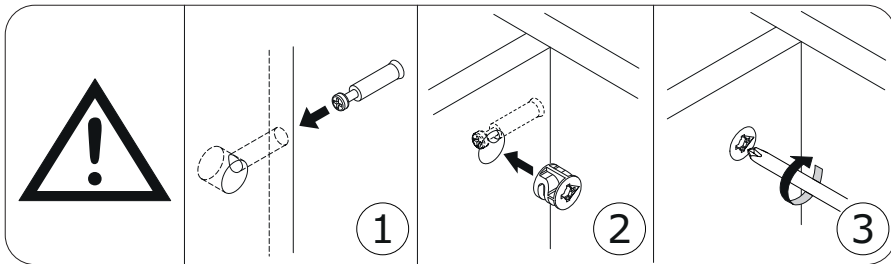
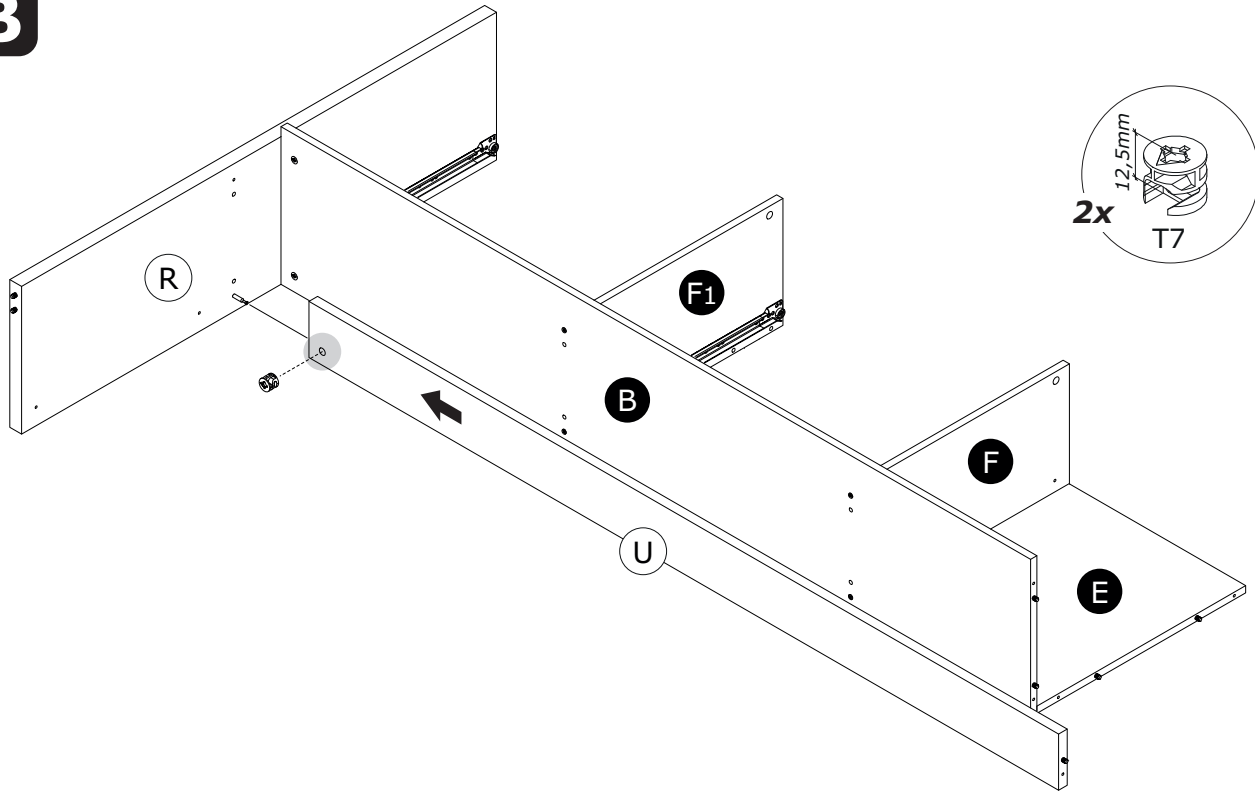
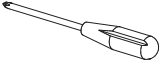
41

B



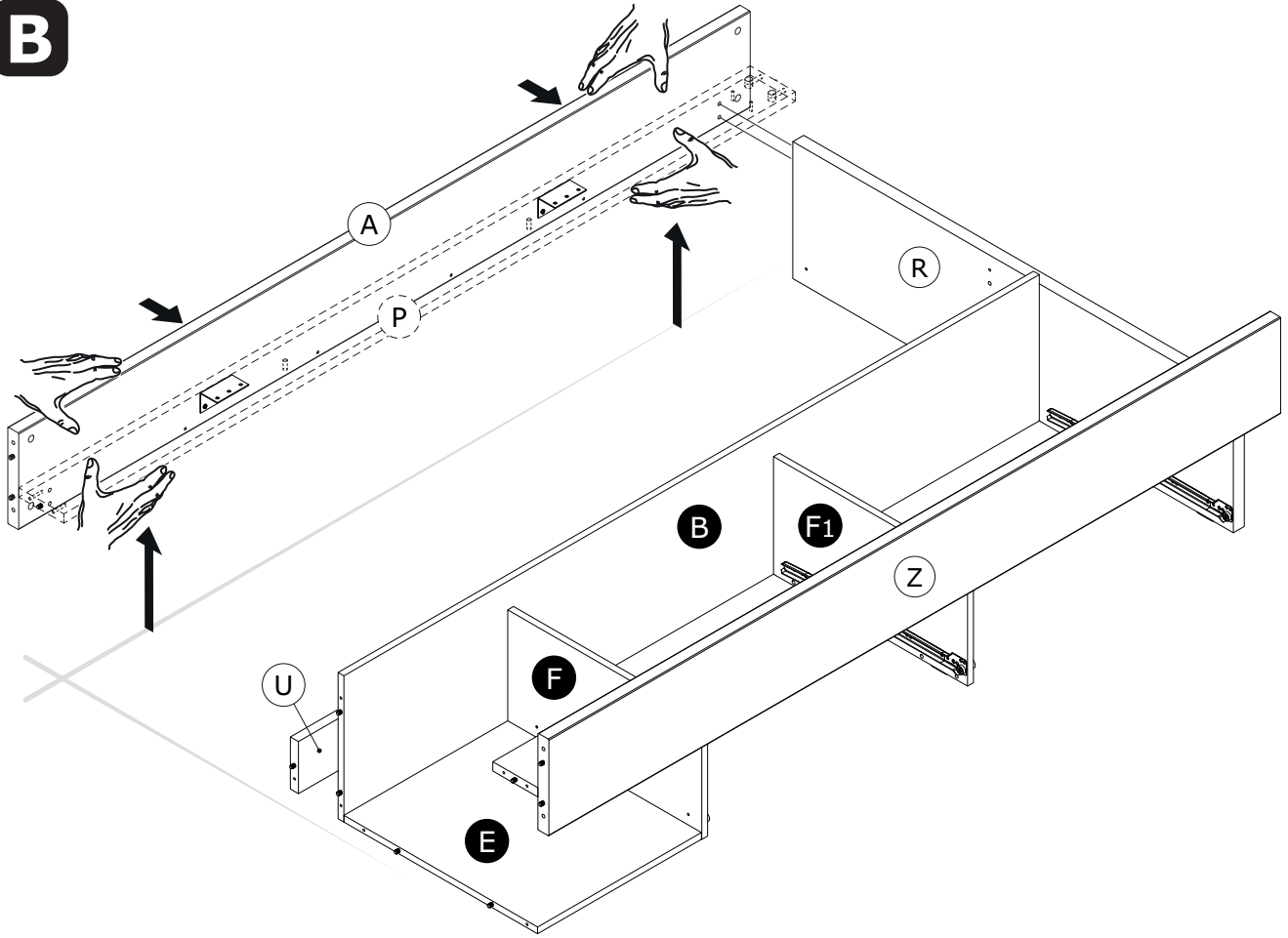
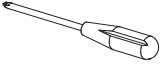
42

B



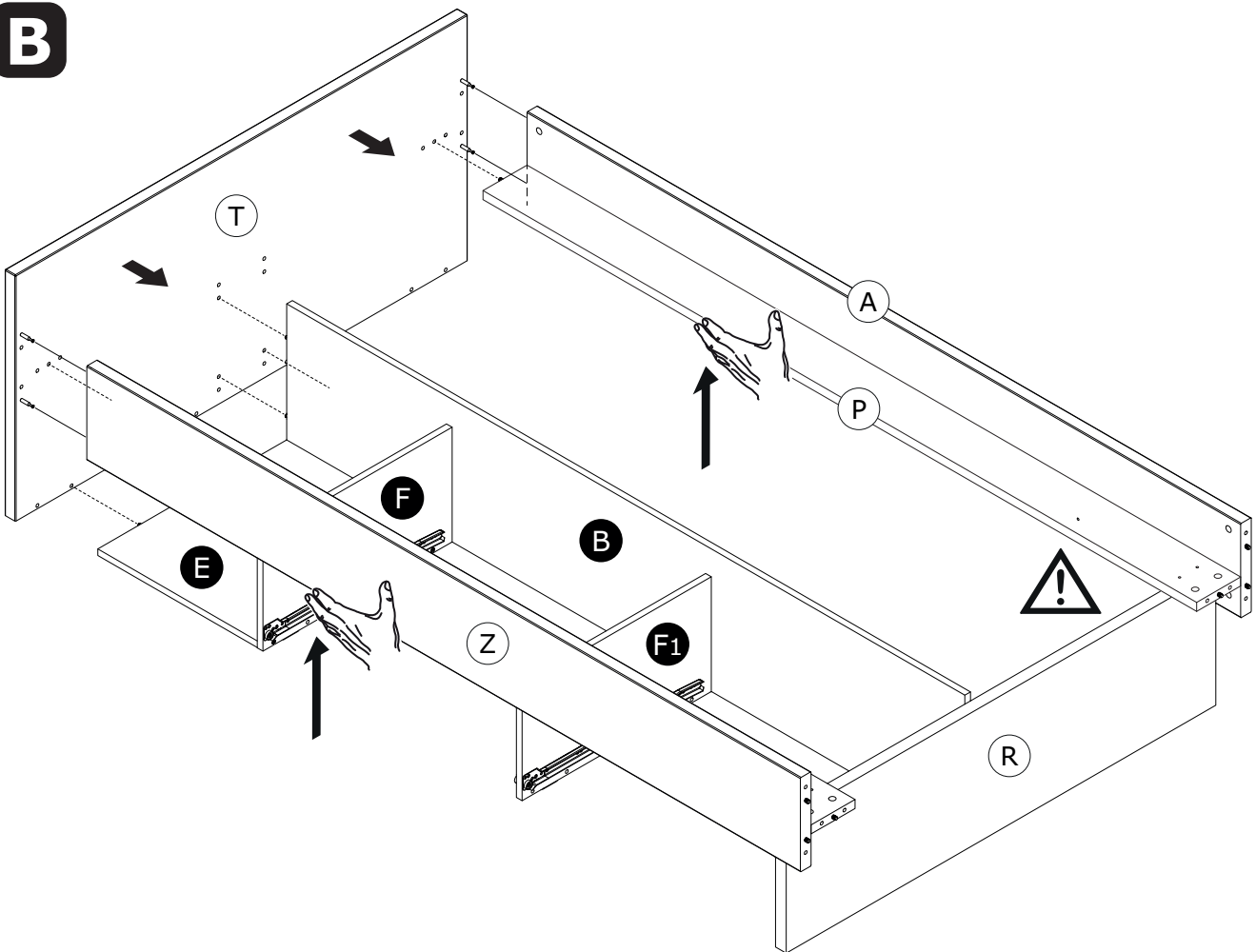
43

B



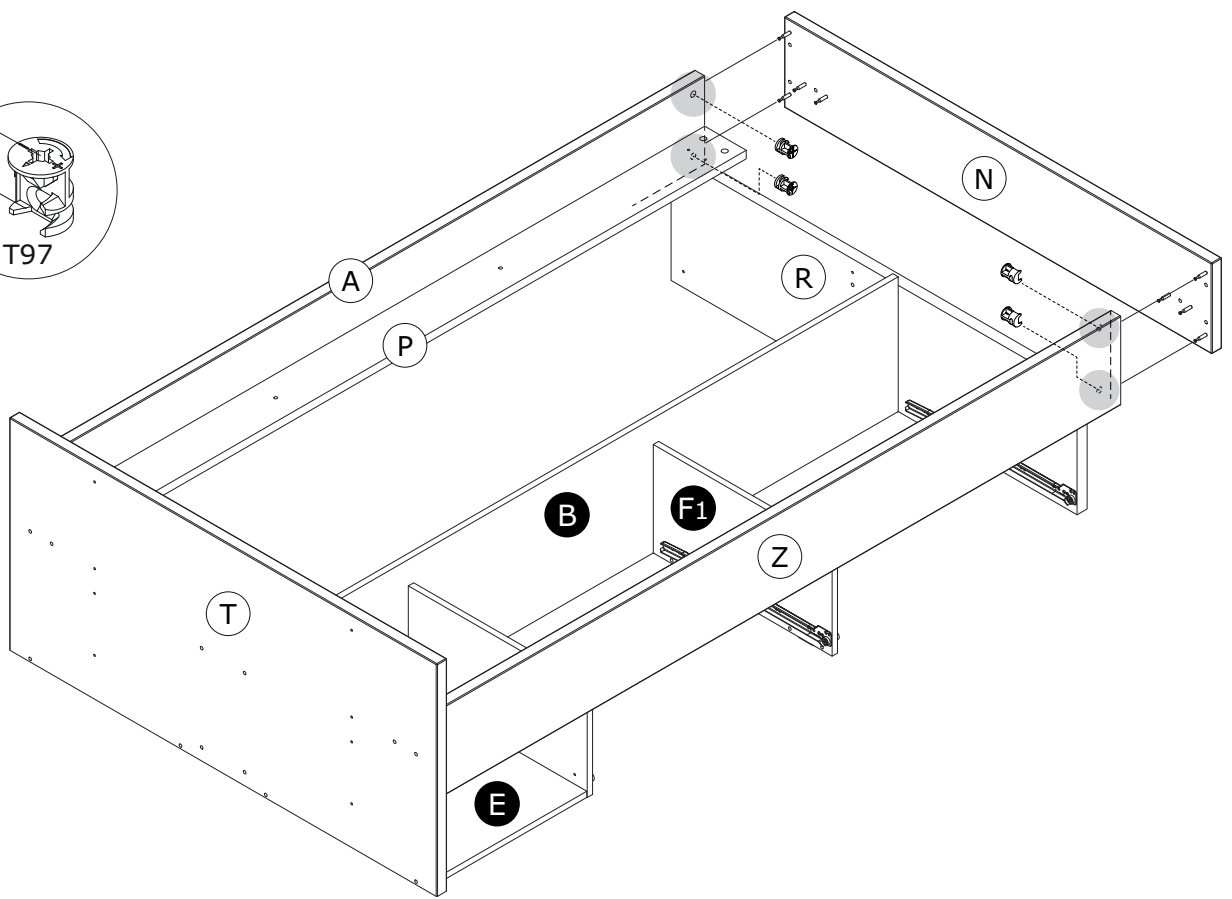
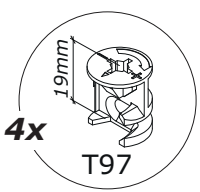
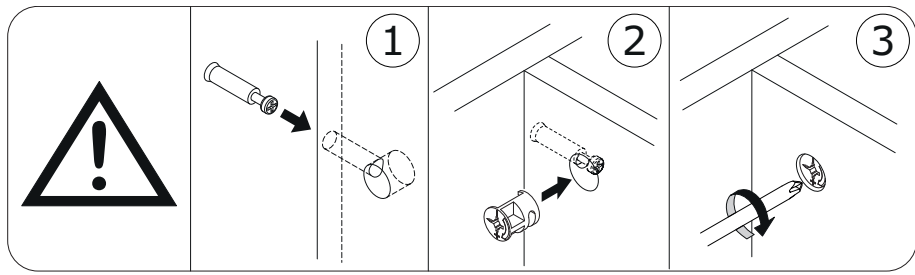
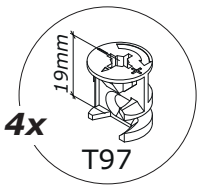
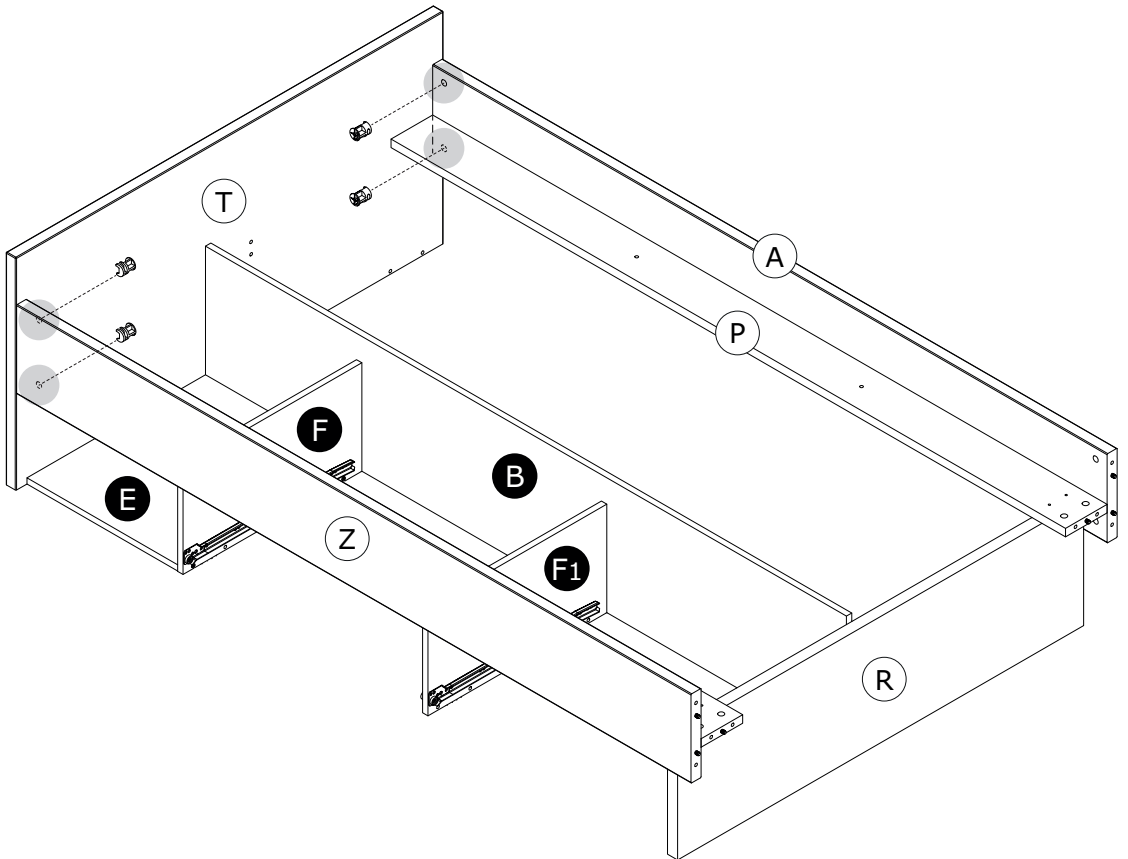
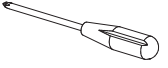
44

B



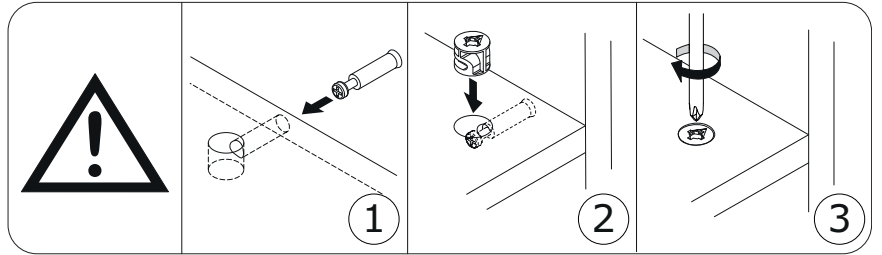
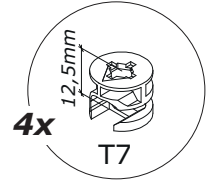
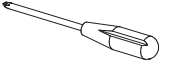
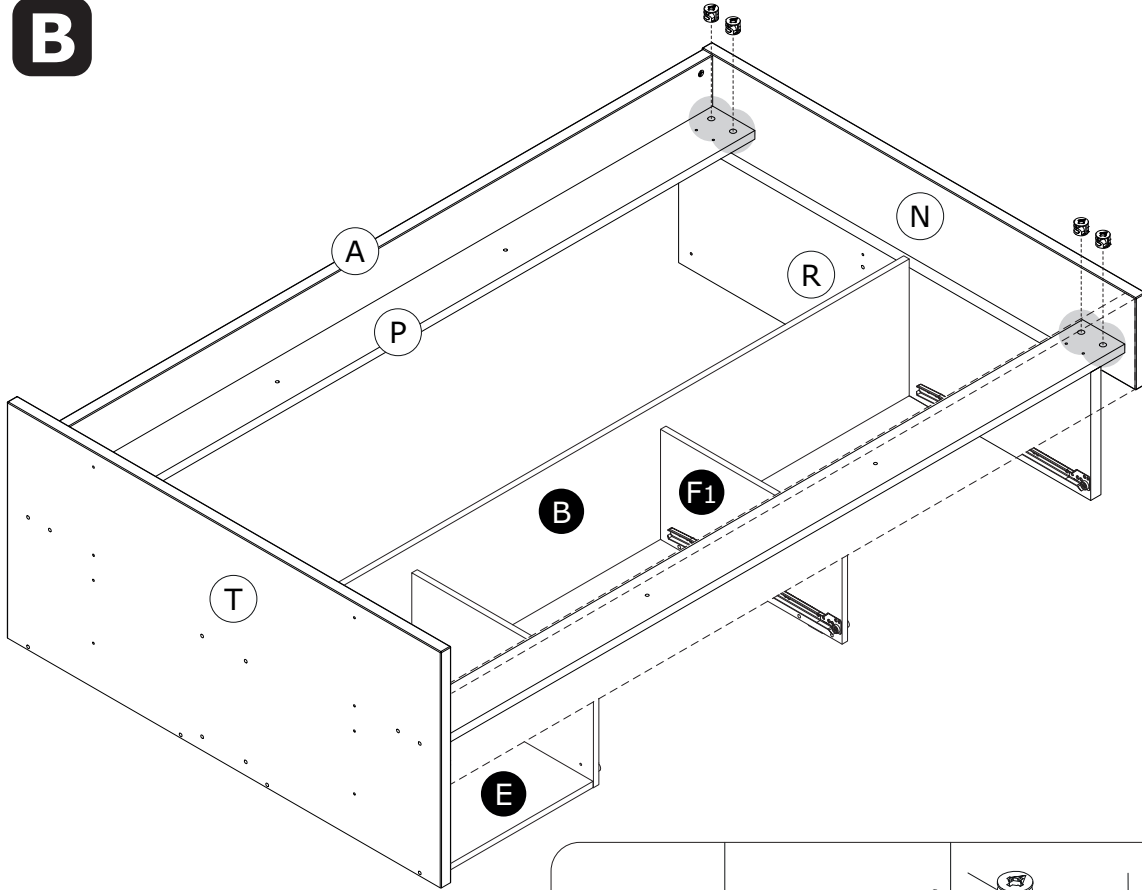
45

B



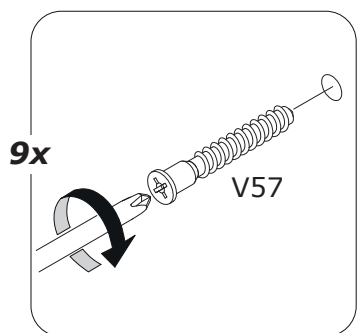
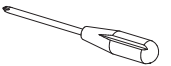
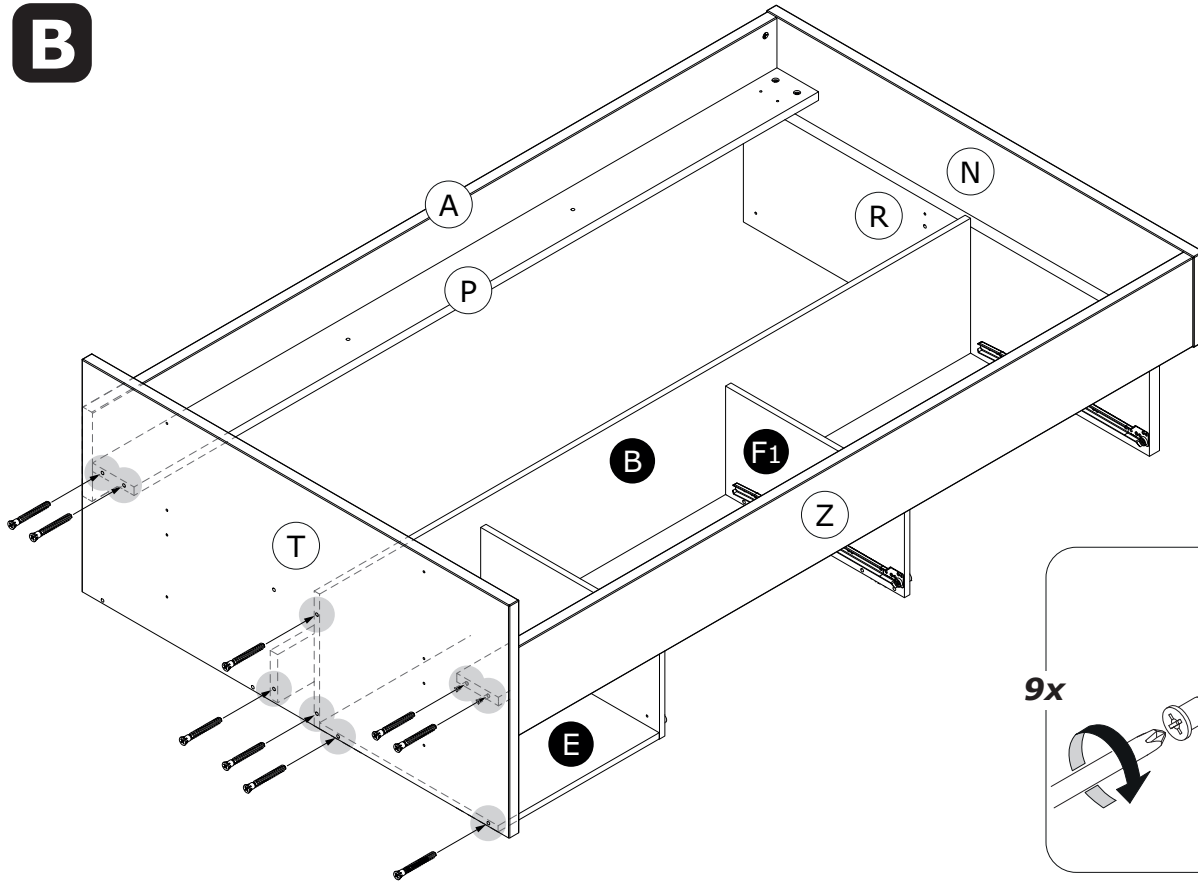
46

B



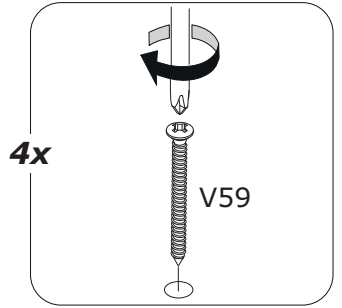
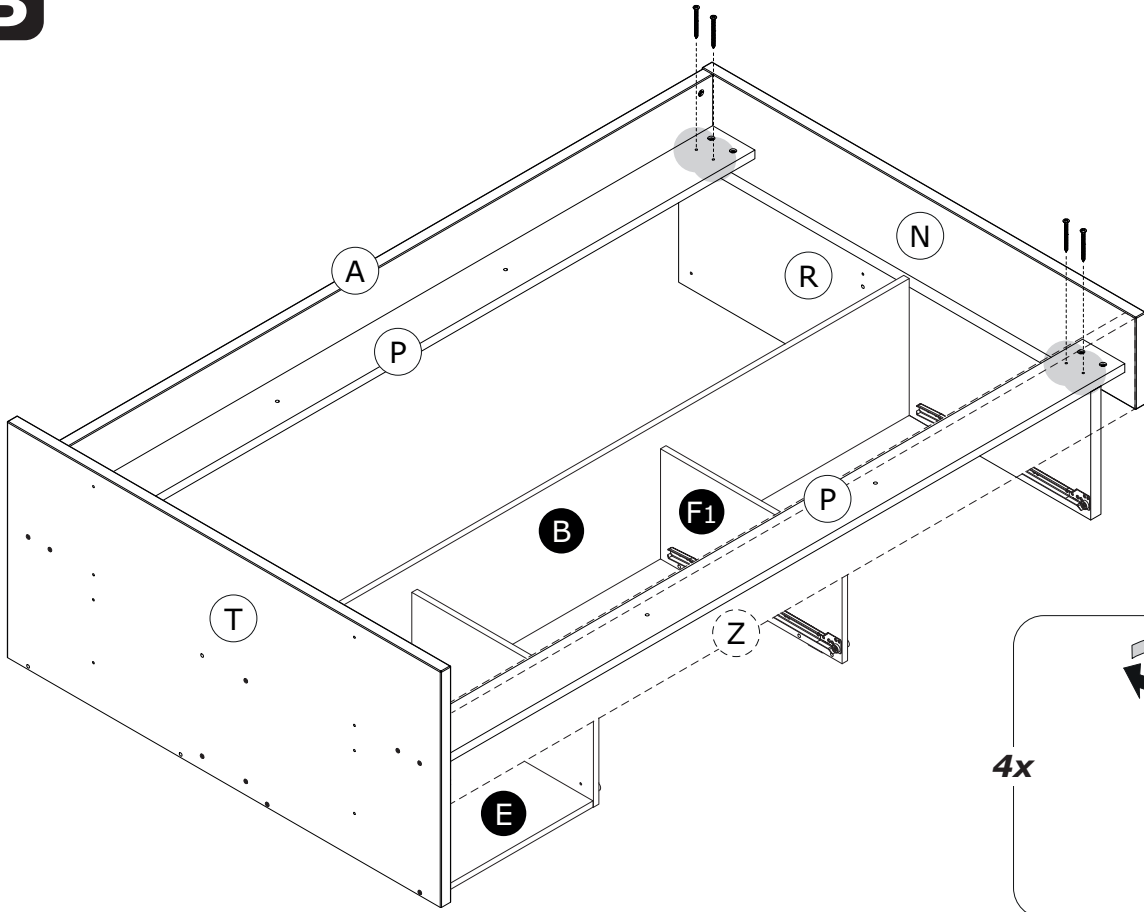
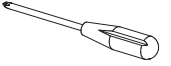
47

B



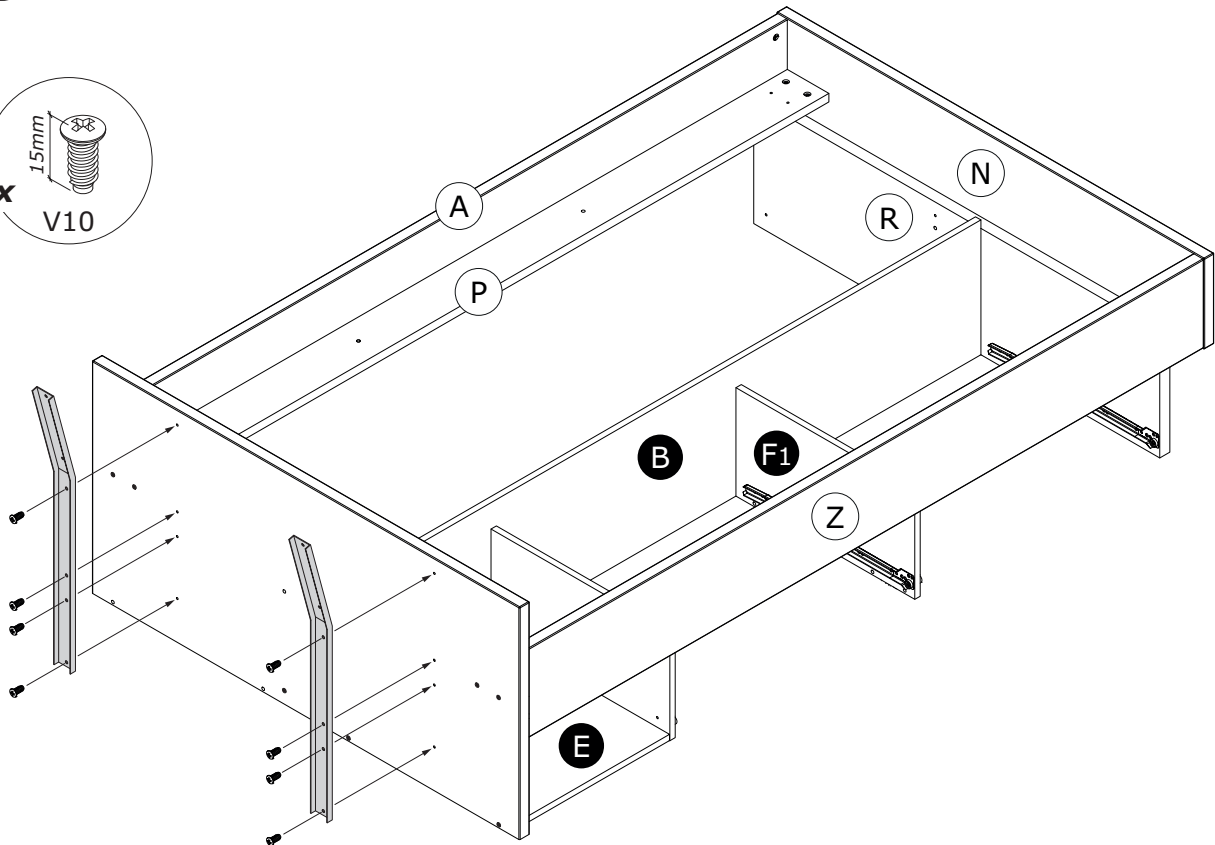
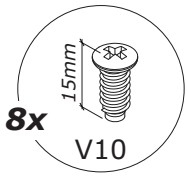
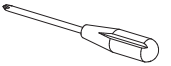
48

B



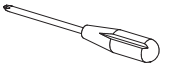
49

B

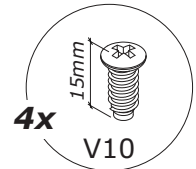
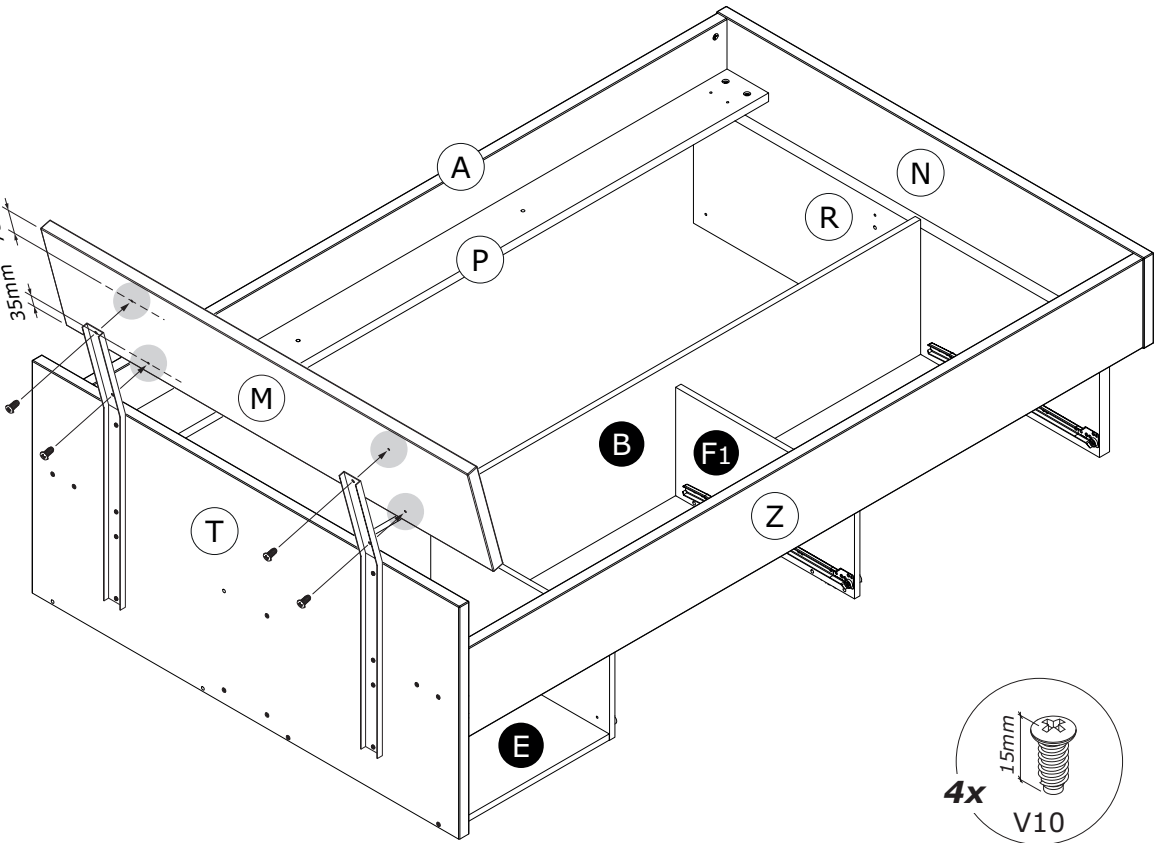


50

B

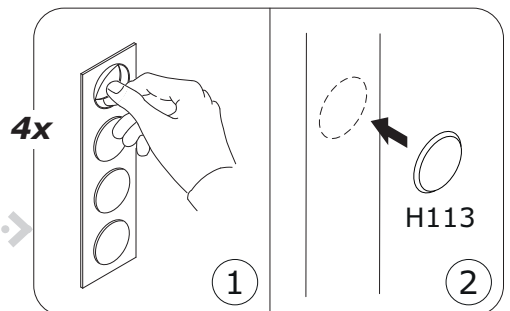
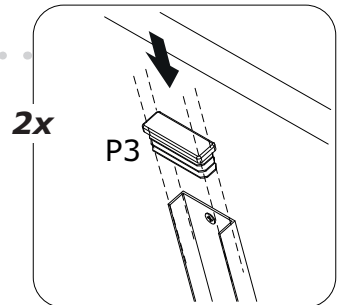
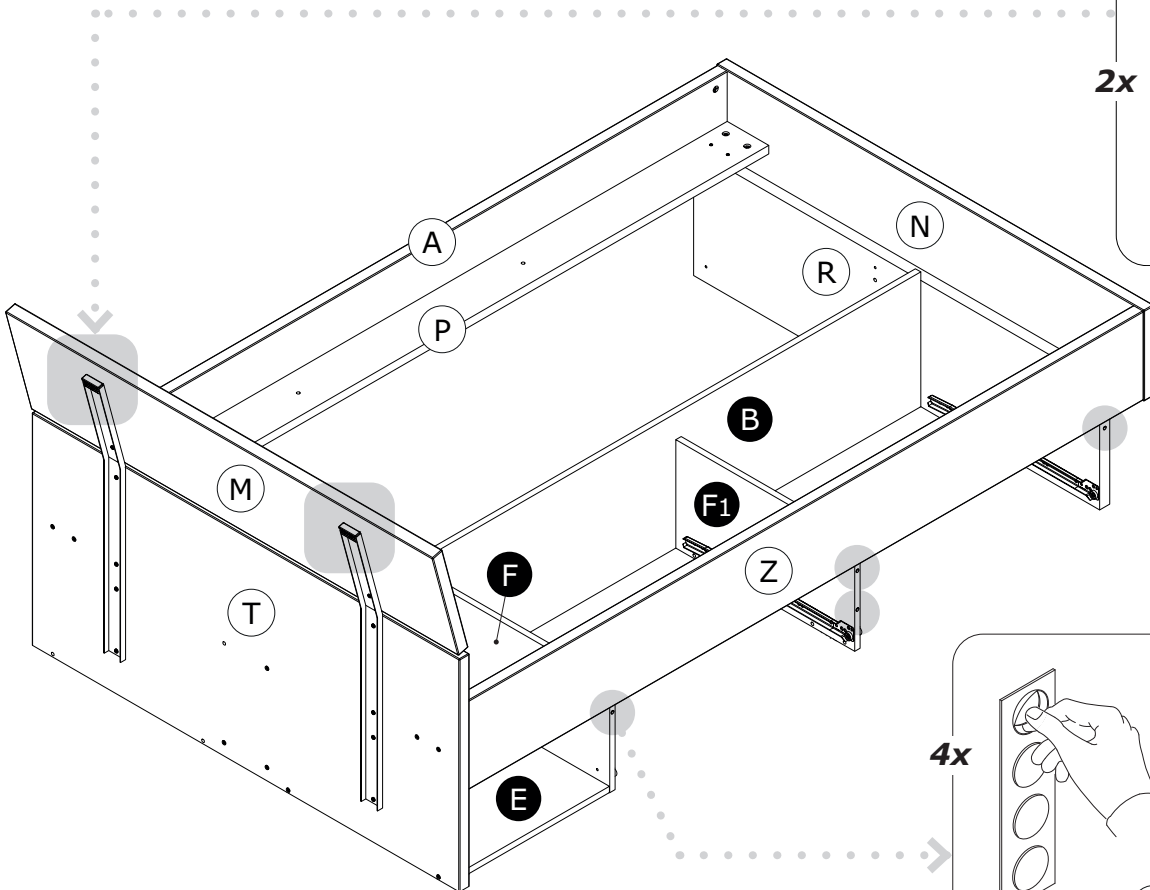
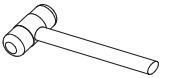


73mm
35mm

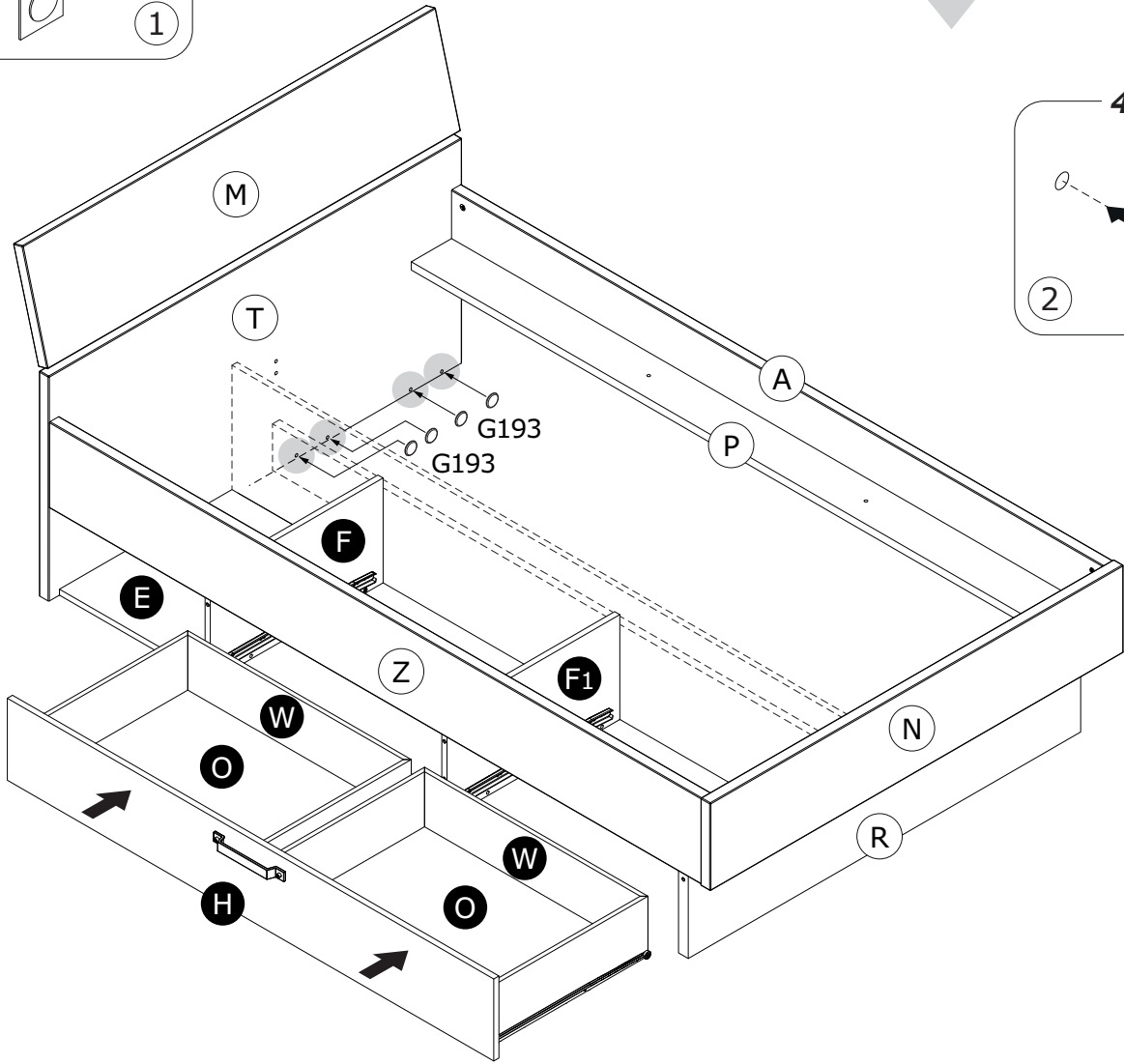
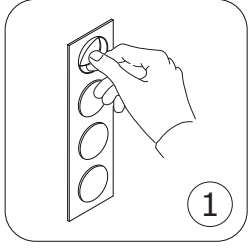
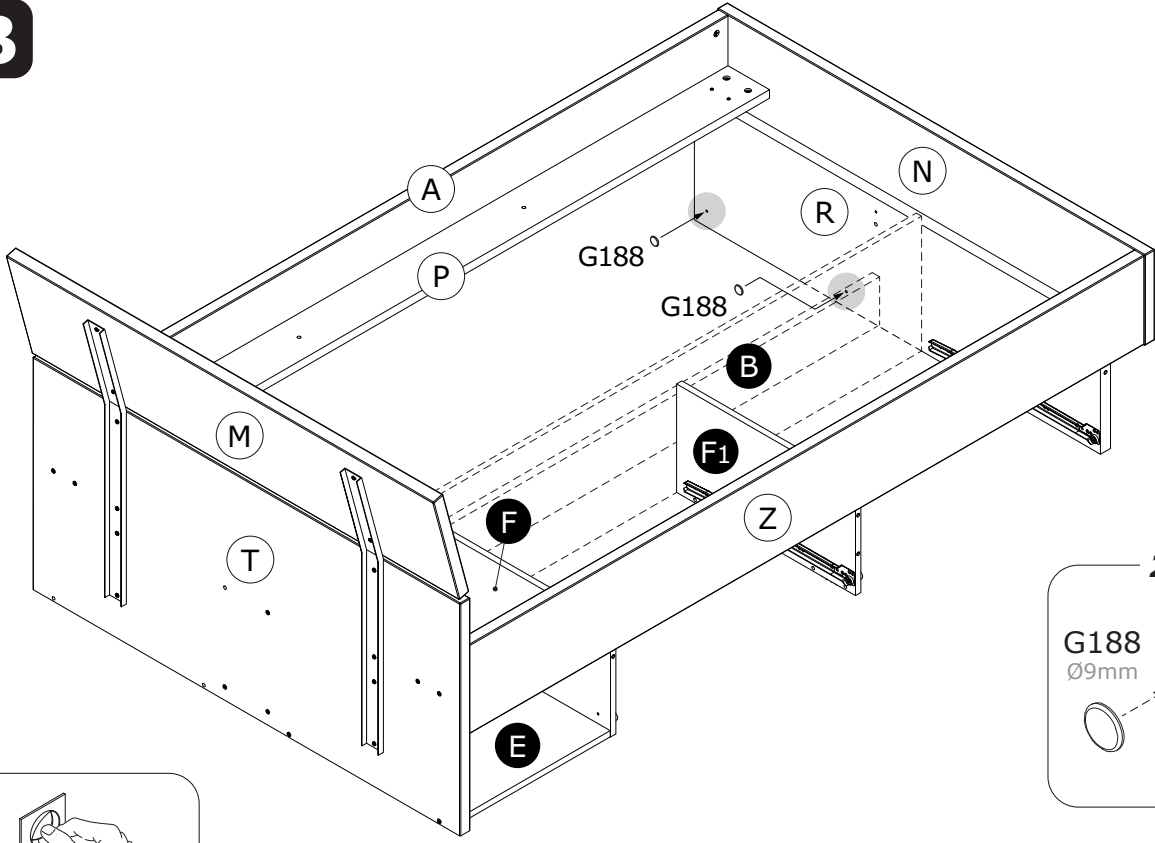
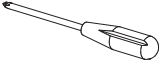


51

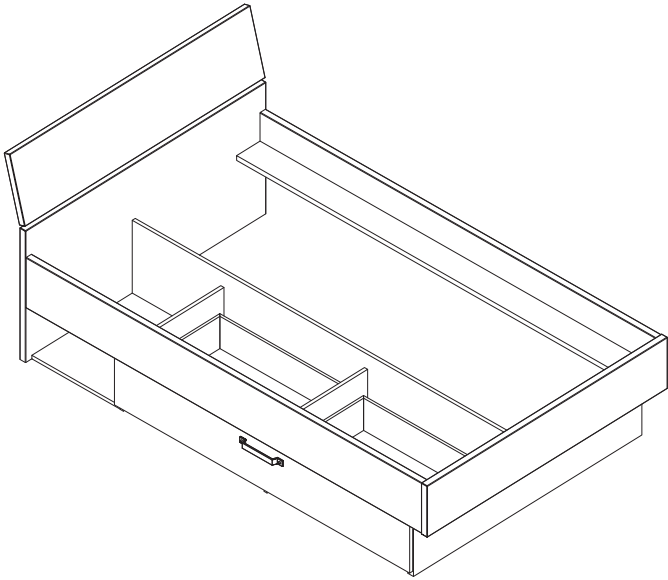
B



B

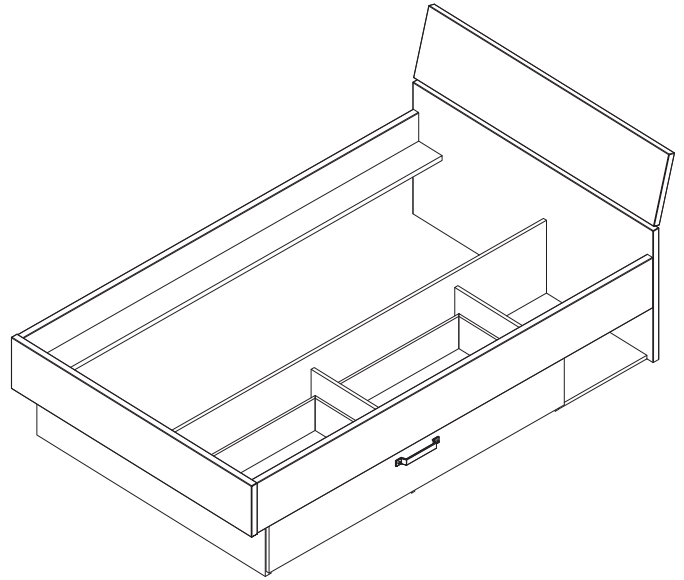


B



34 - 52

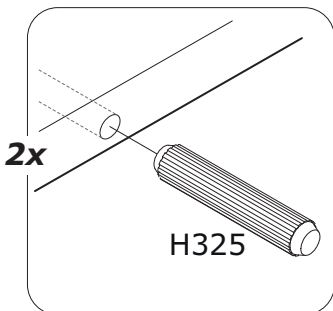
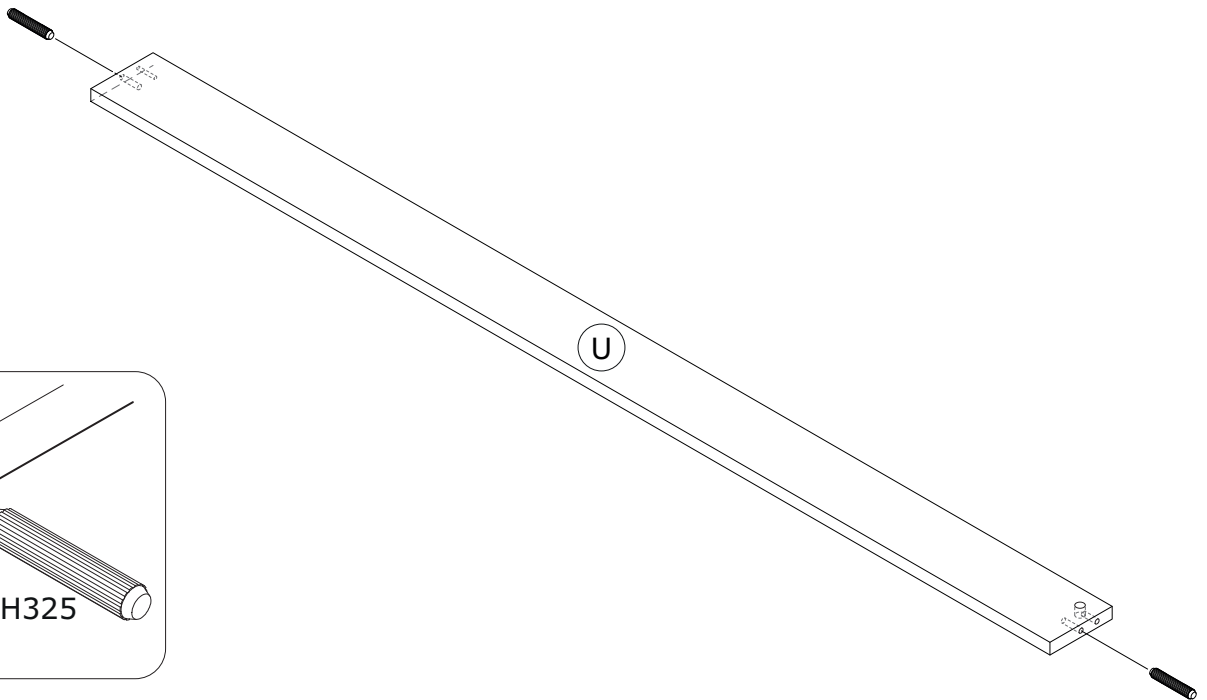
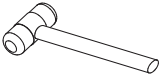
C



53 - 72

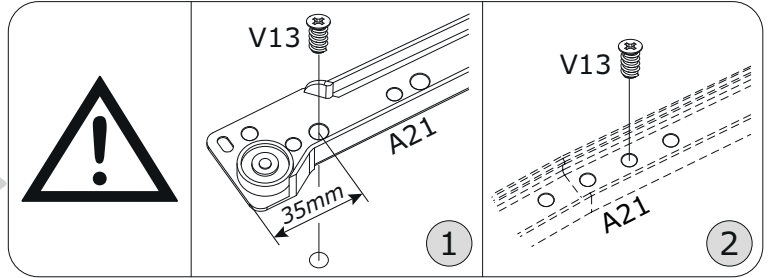
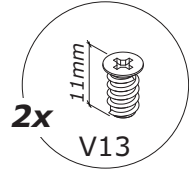
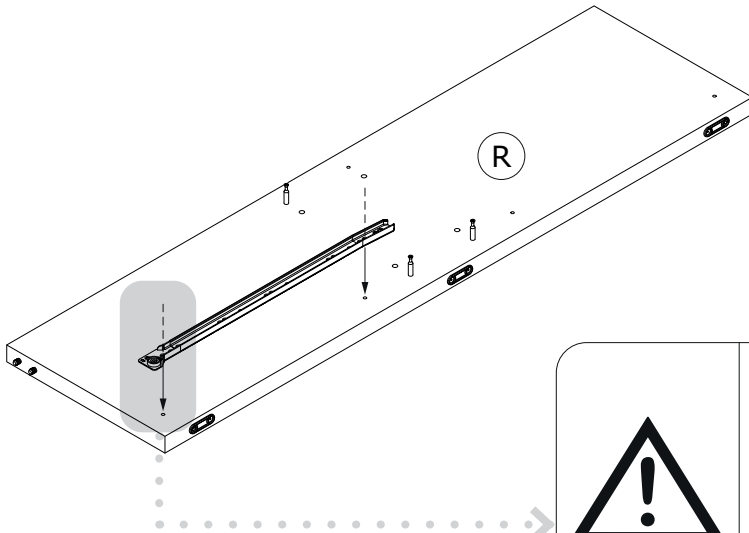
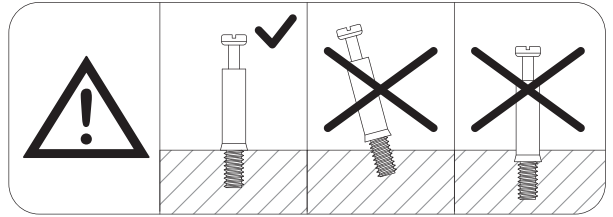
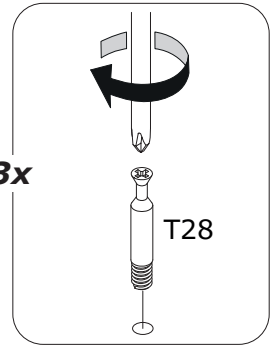
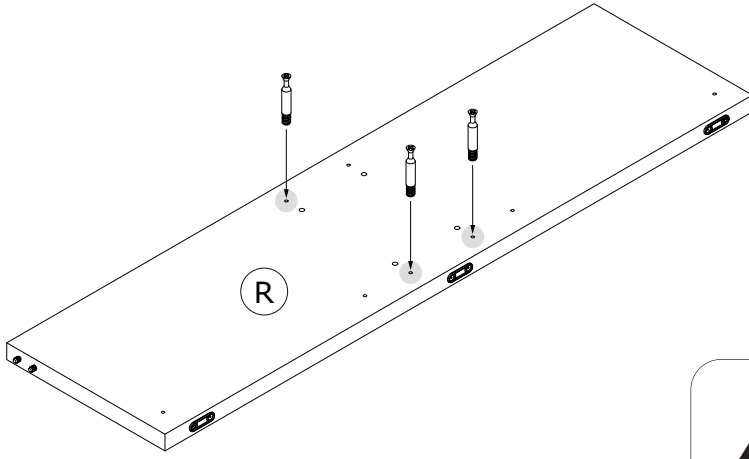
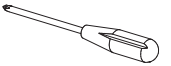
53

C



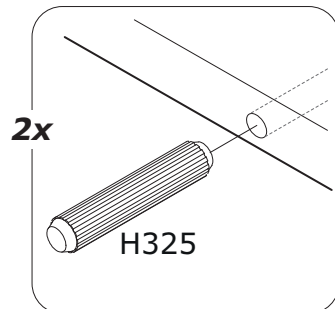
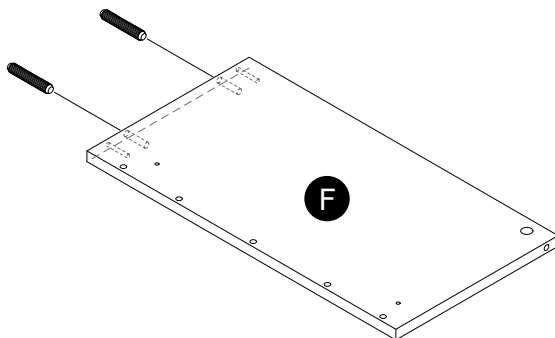
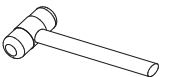
54

C



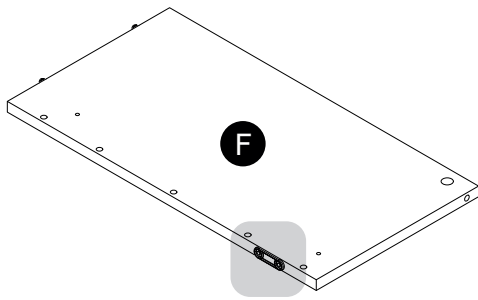
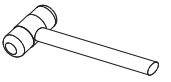
55

C

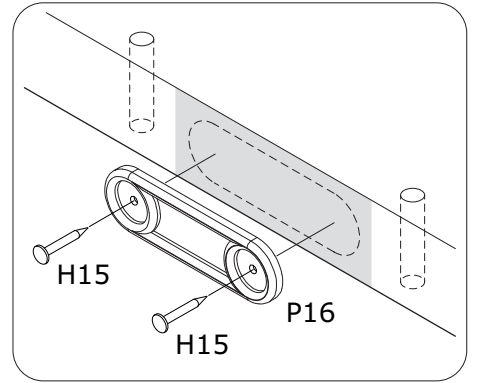
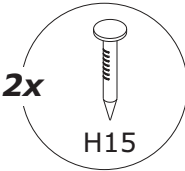


56

C

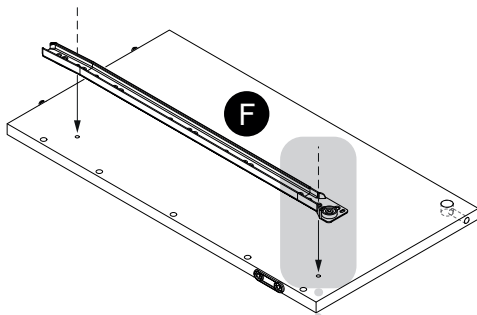
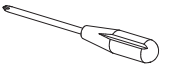


2x

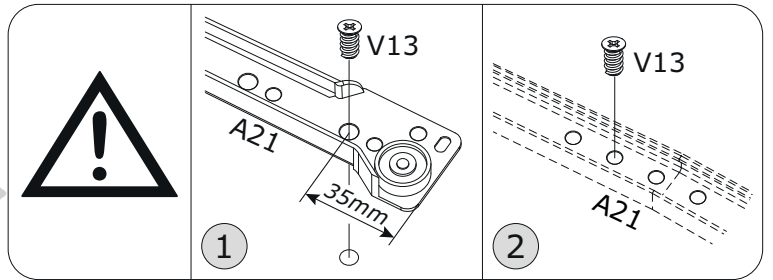
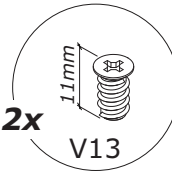


57

C

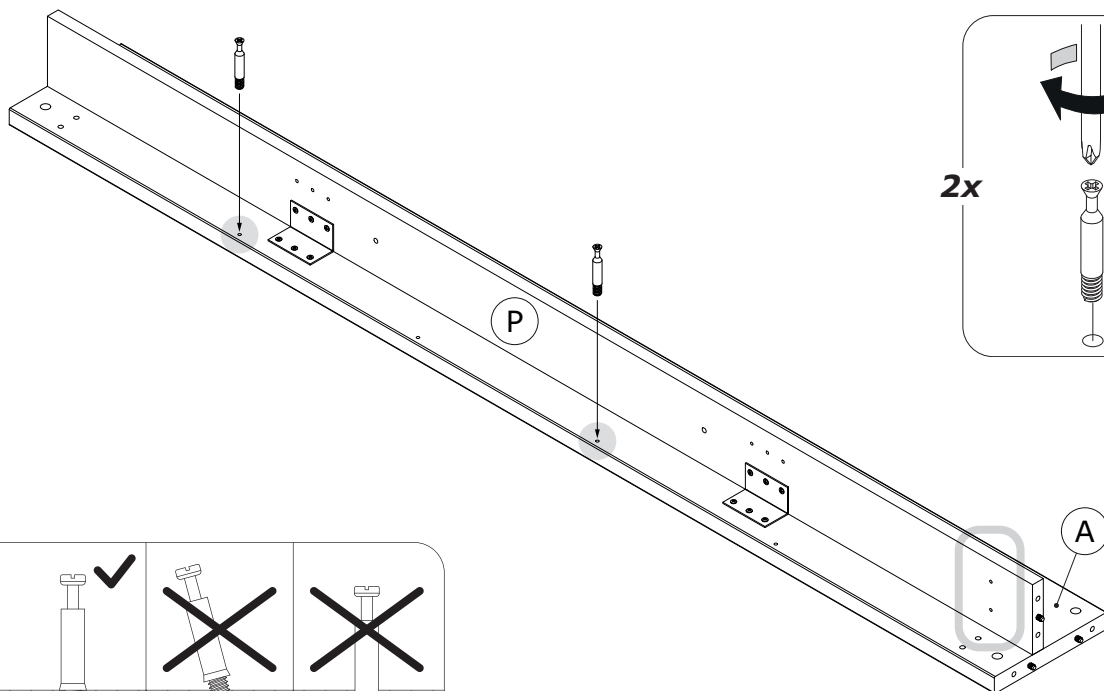
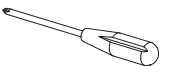


2x

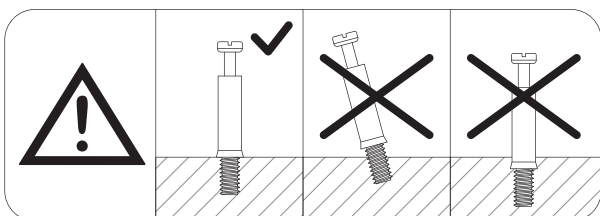
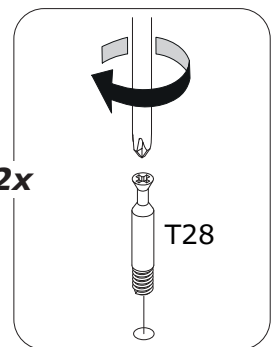


58

C

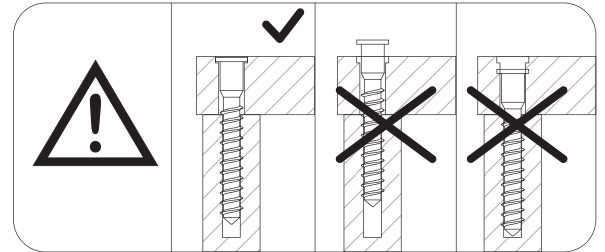
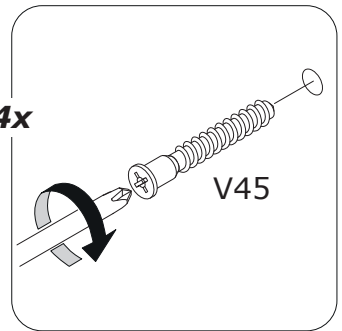
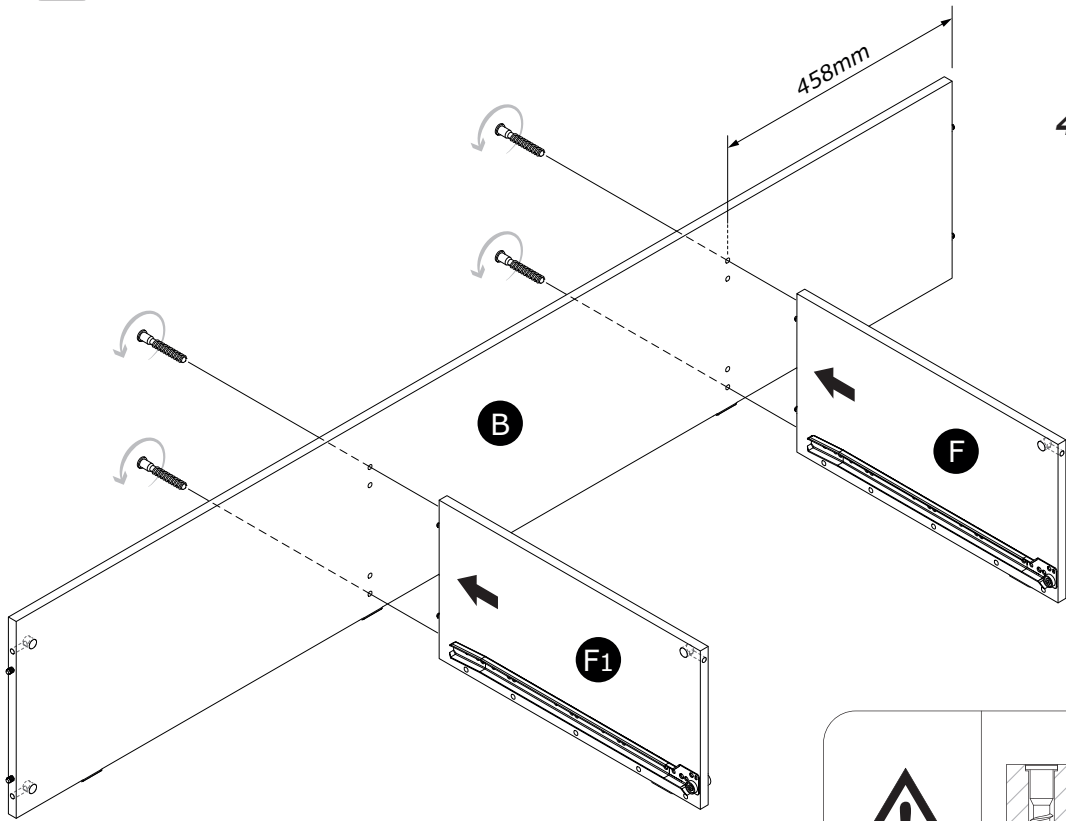
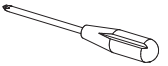


2x



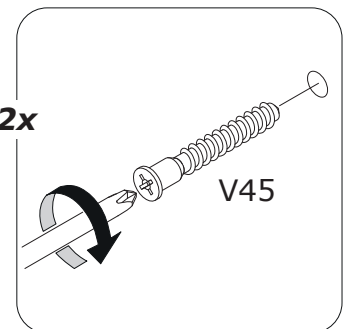
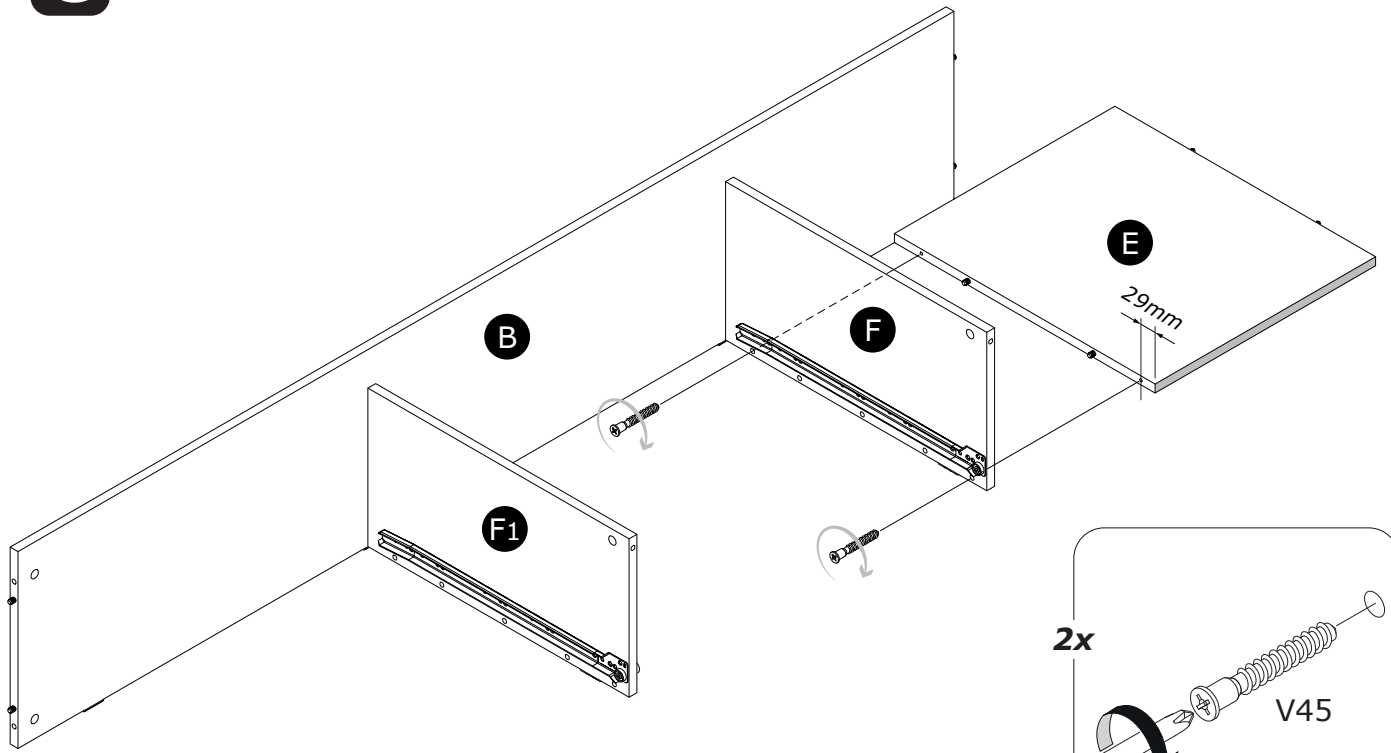
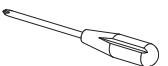
59

C



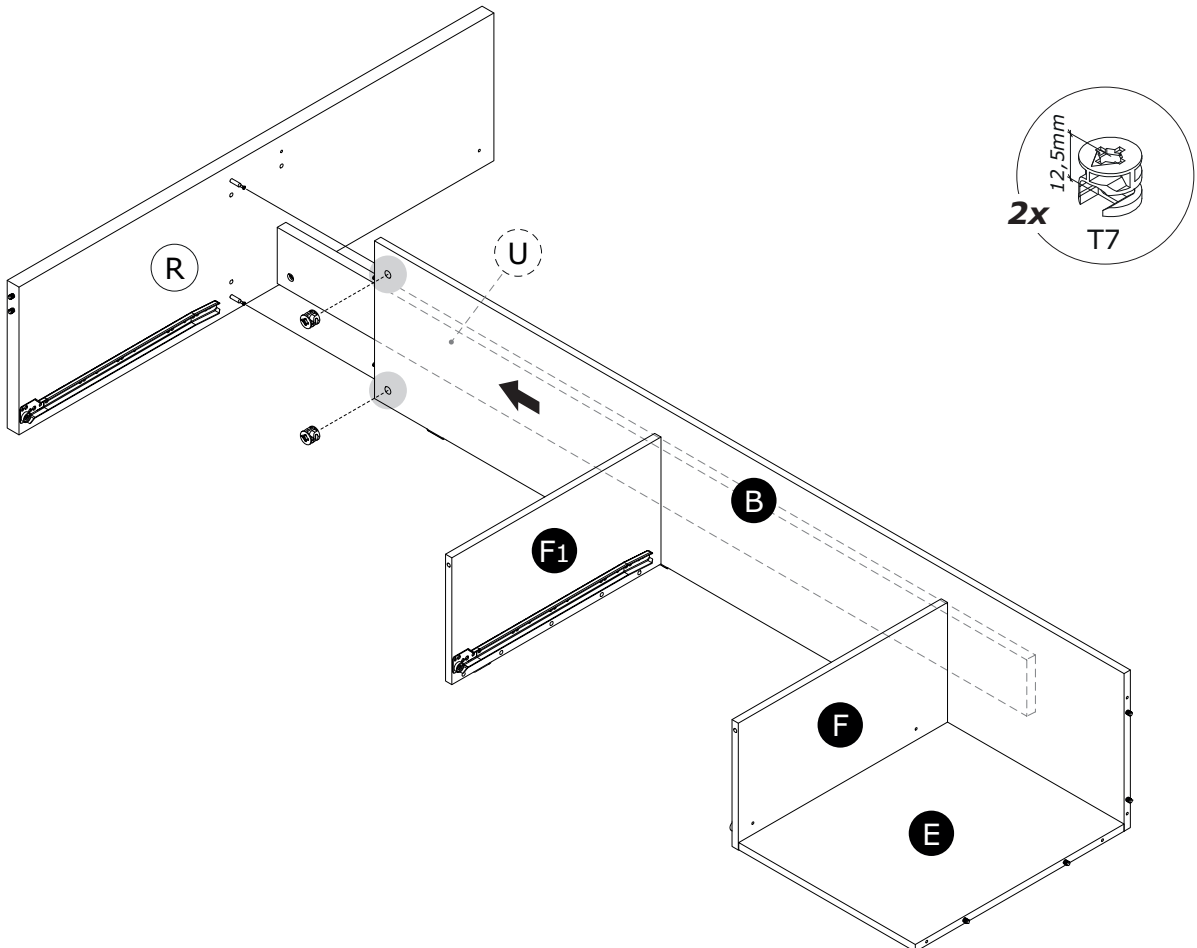
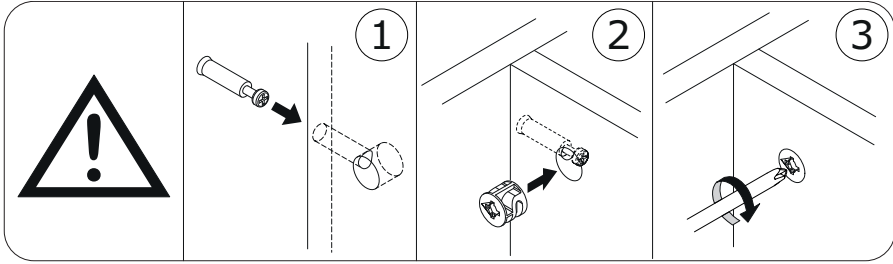
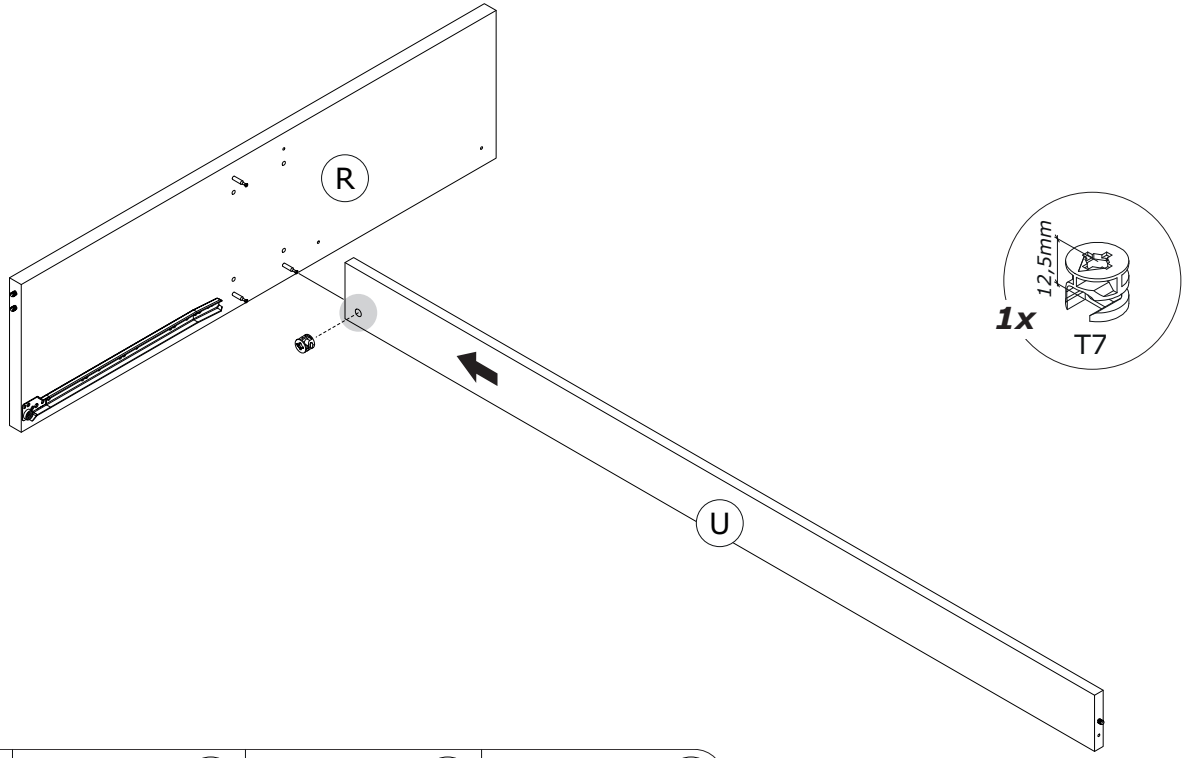
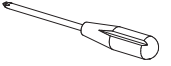
60

C

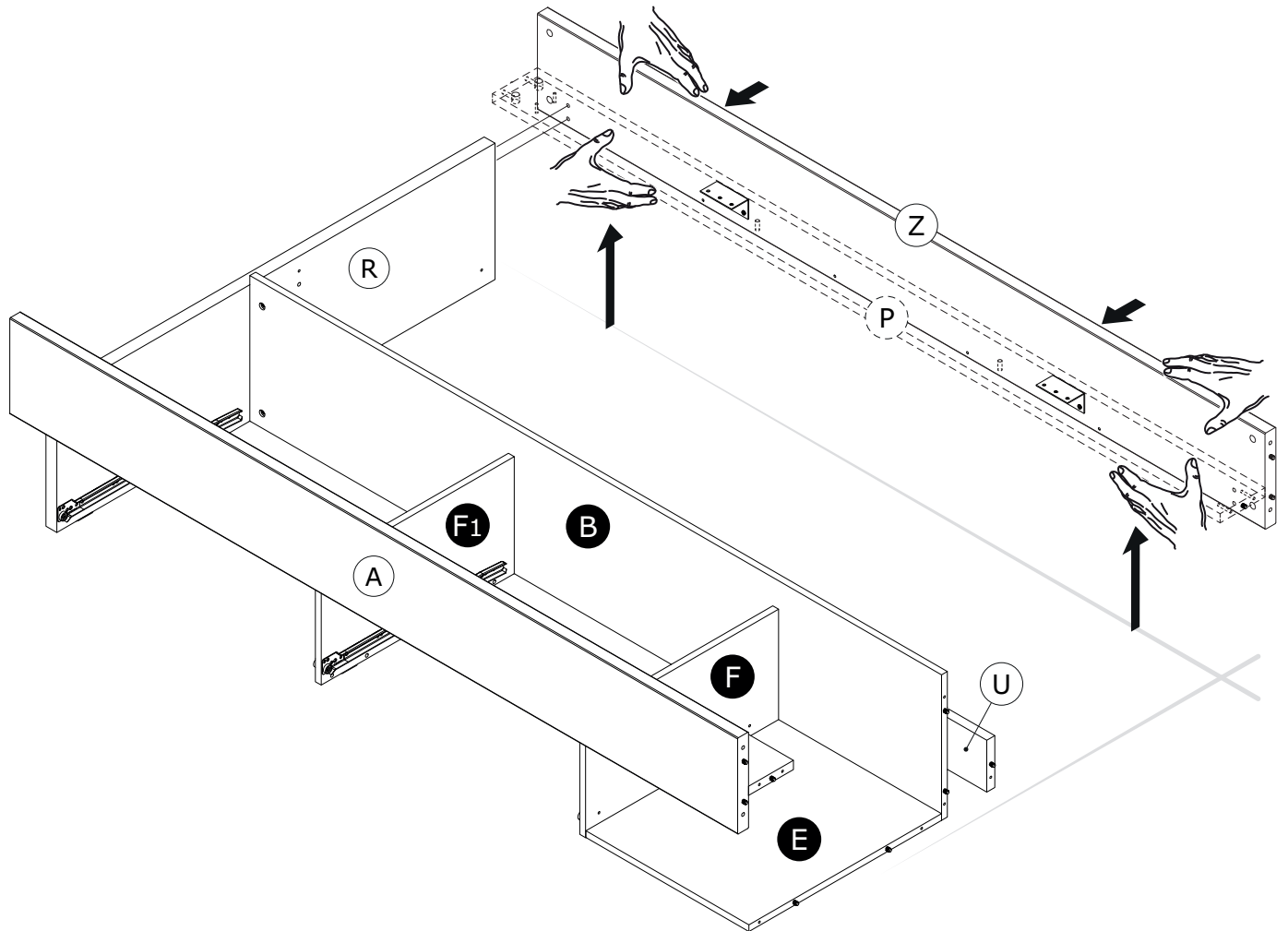
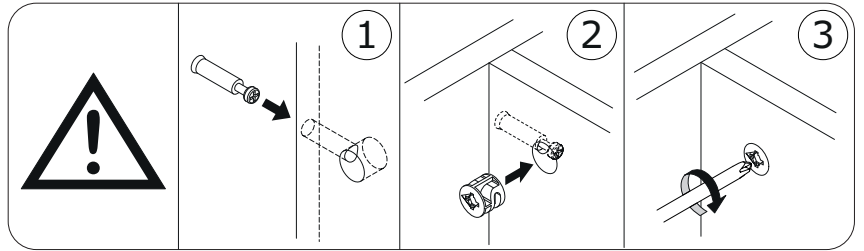
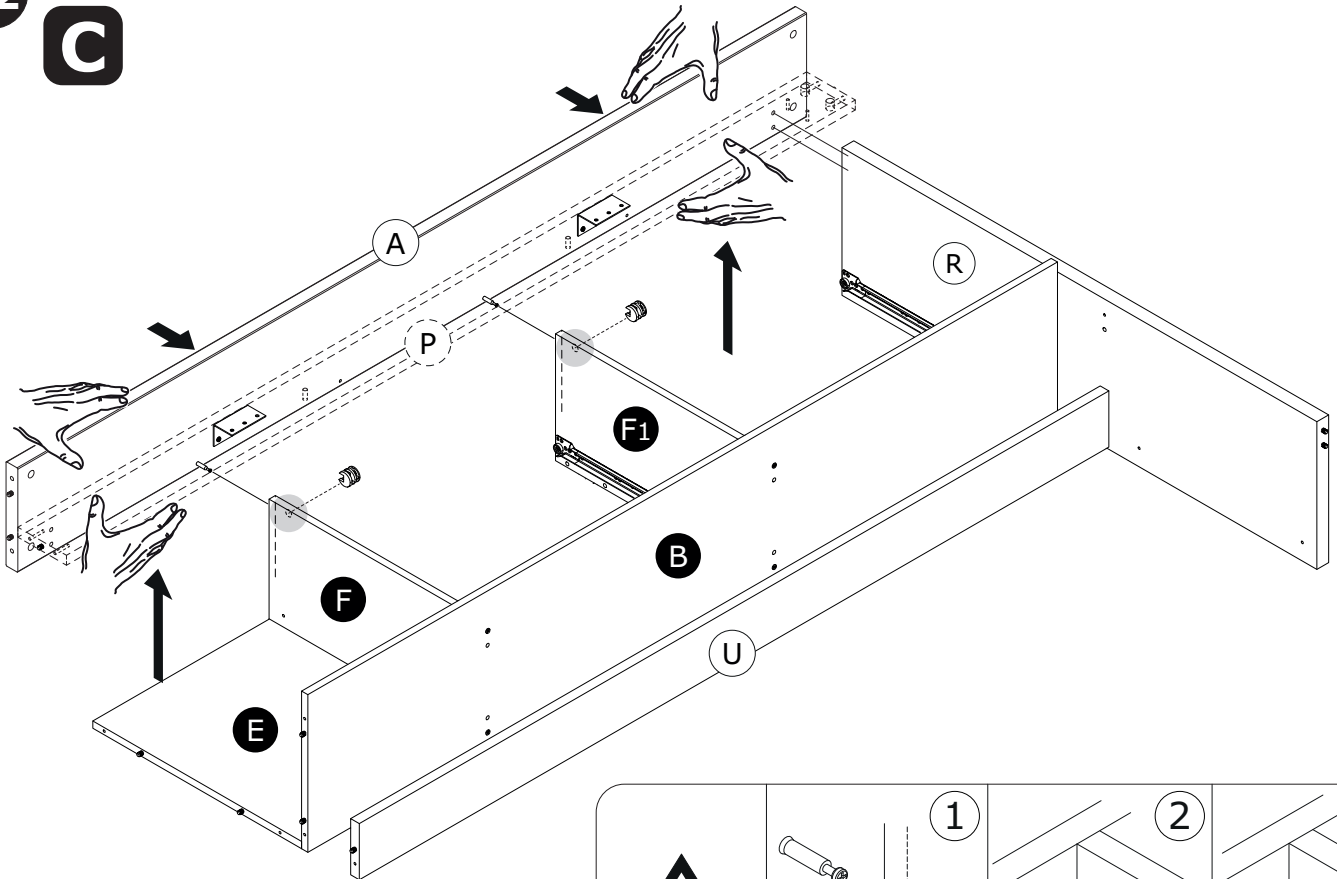
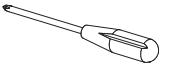


61

C

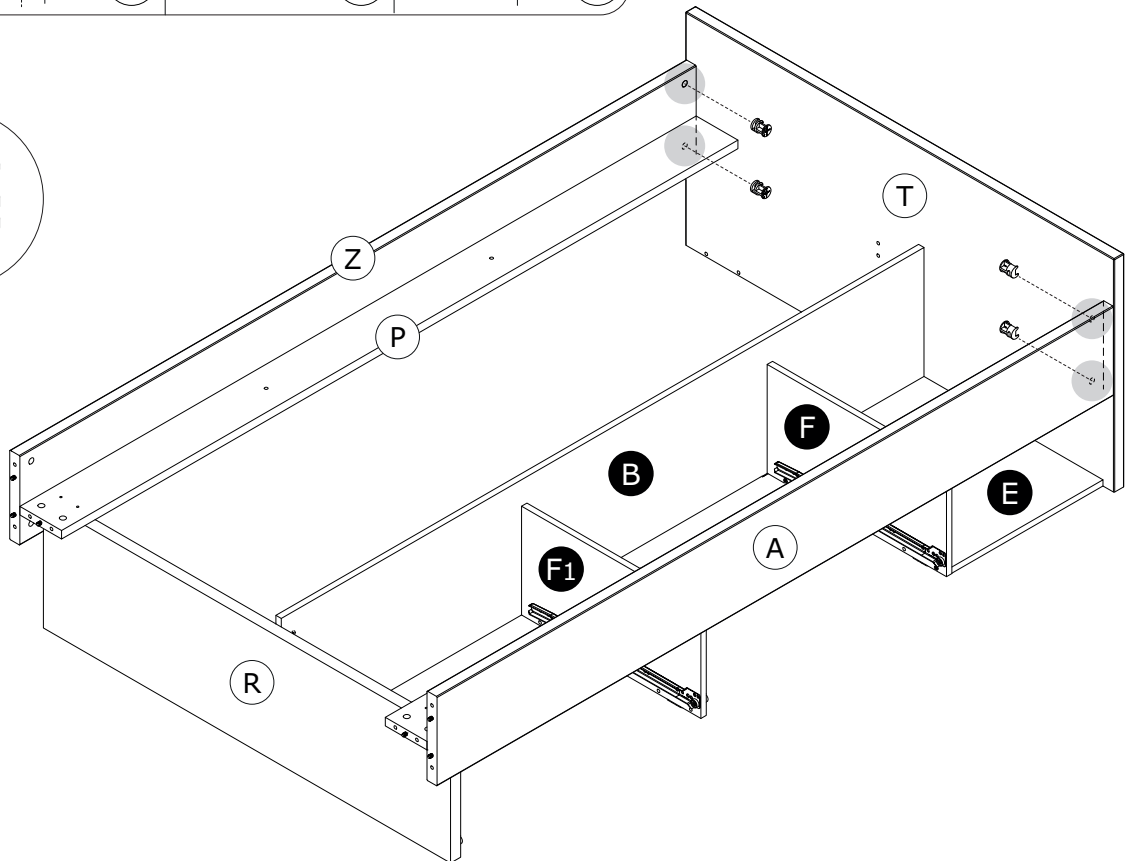
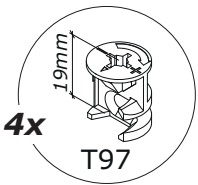
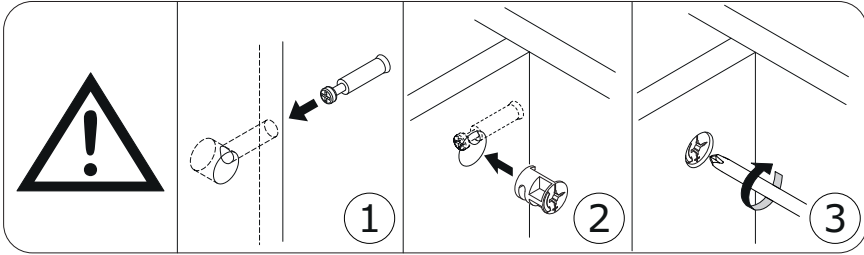
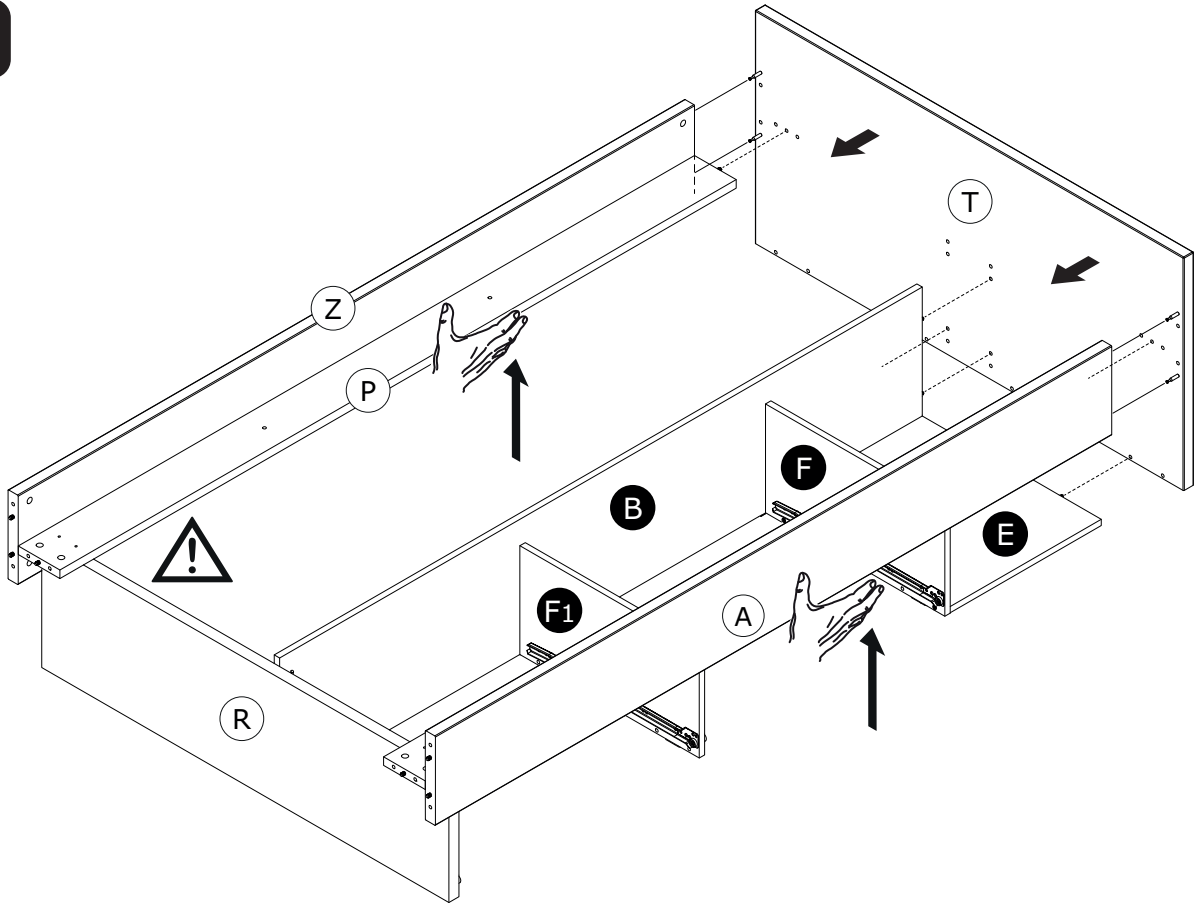
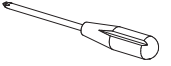


C



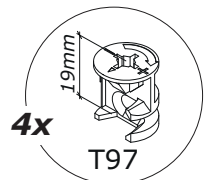
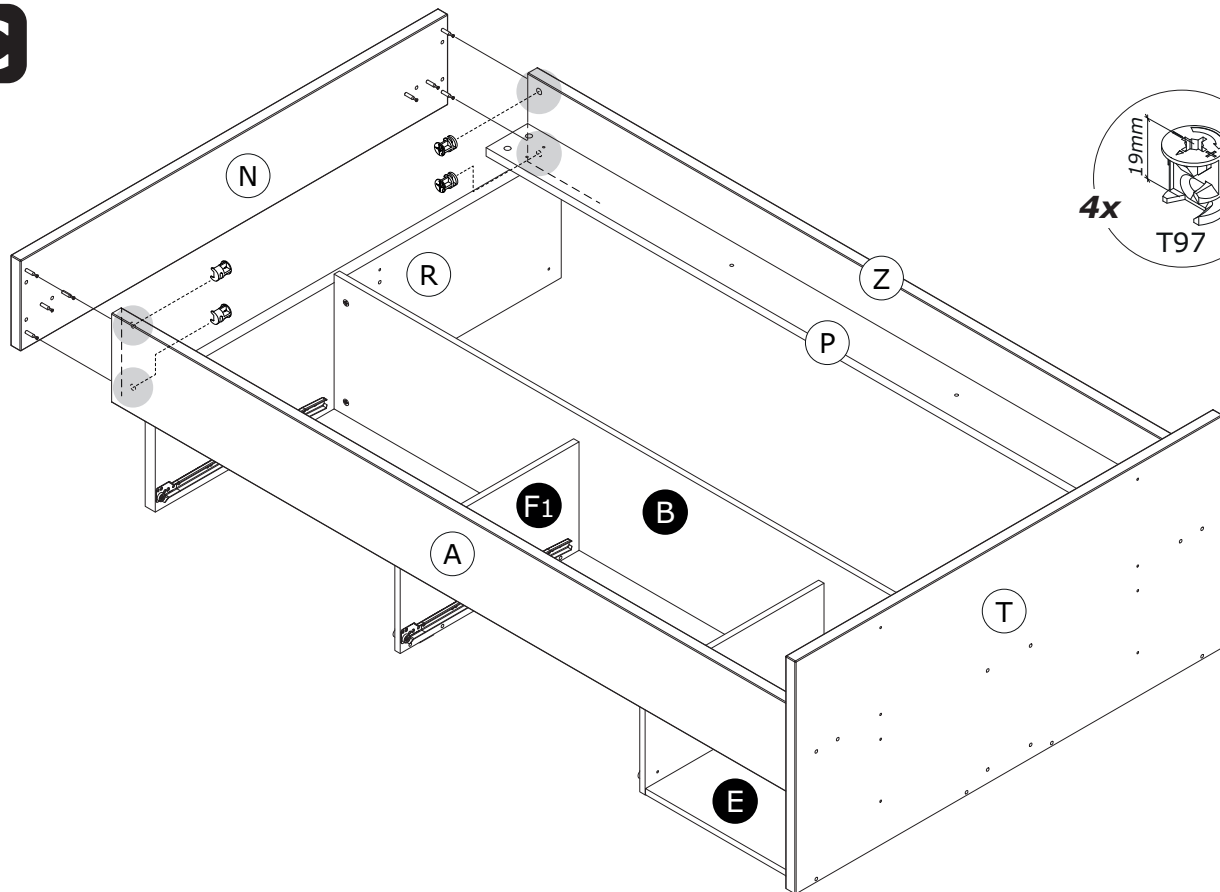
63

C



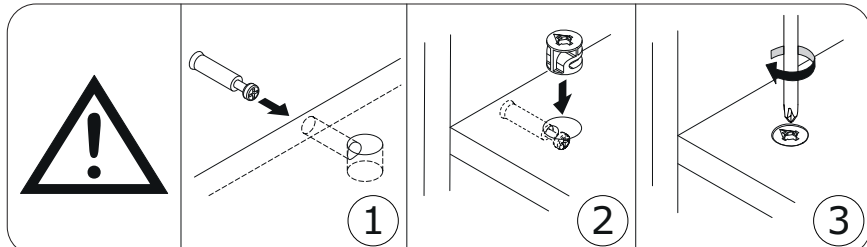
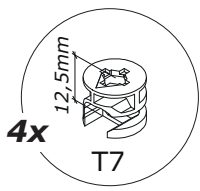
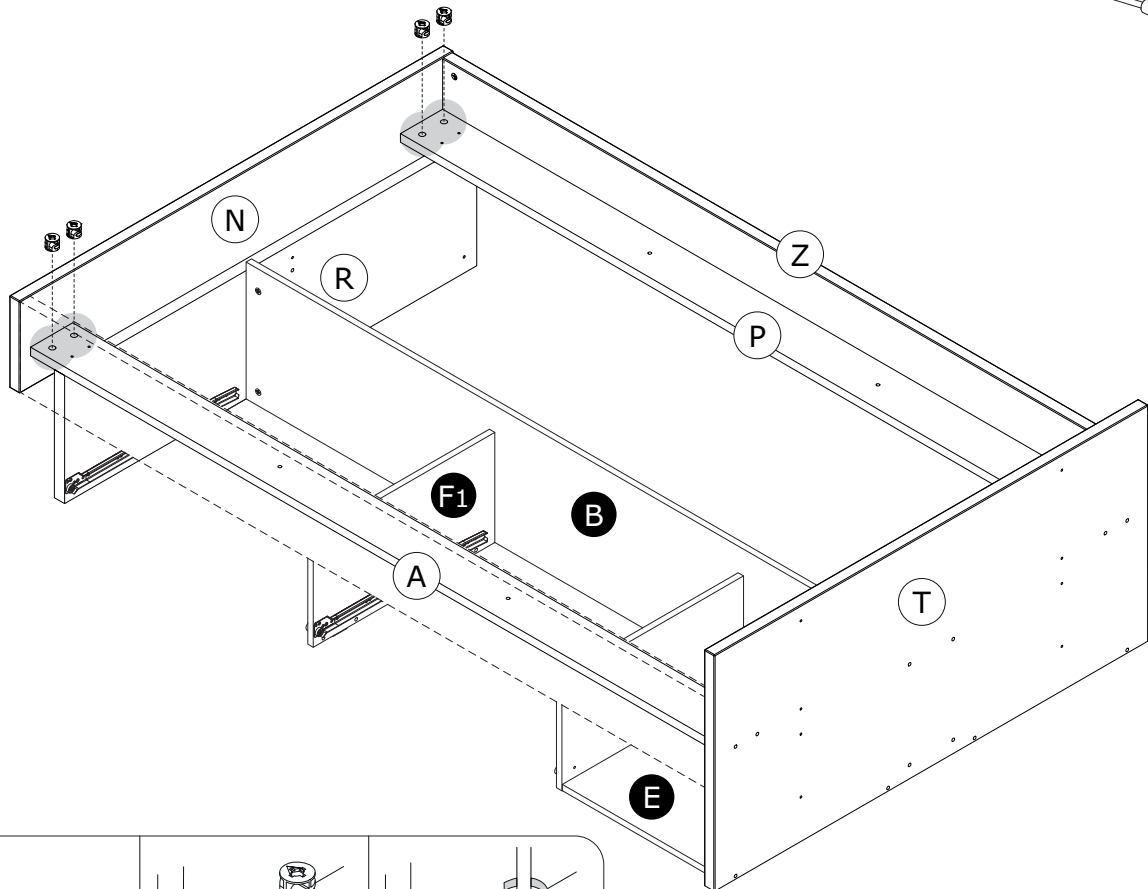
64

C



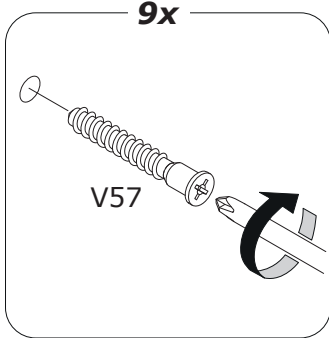
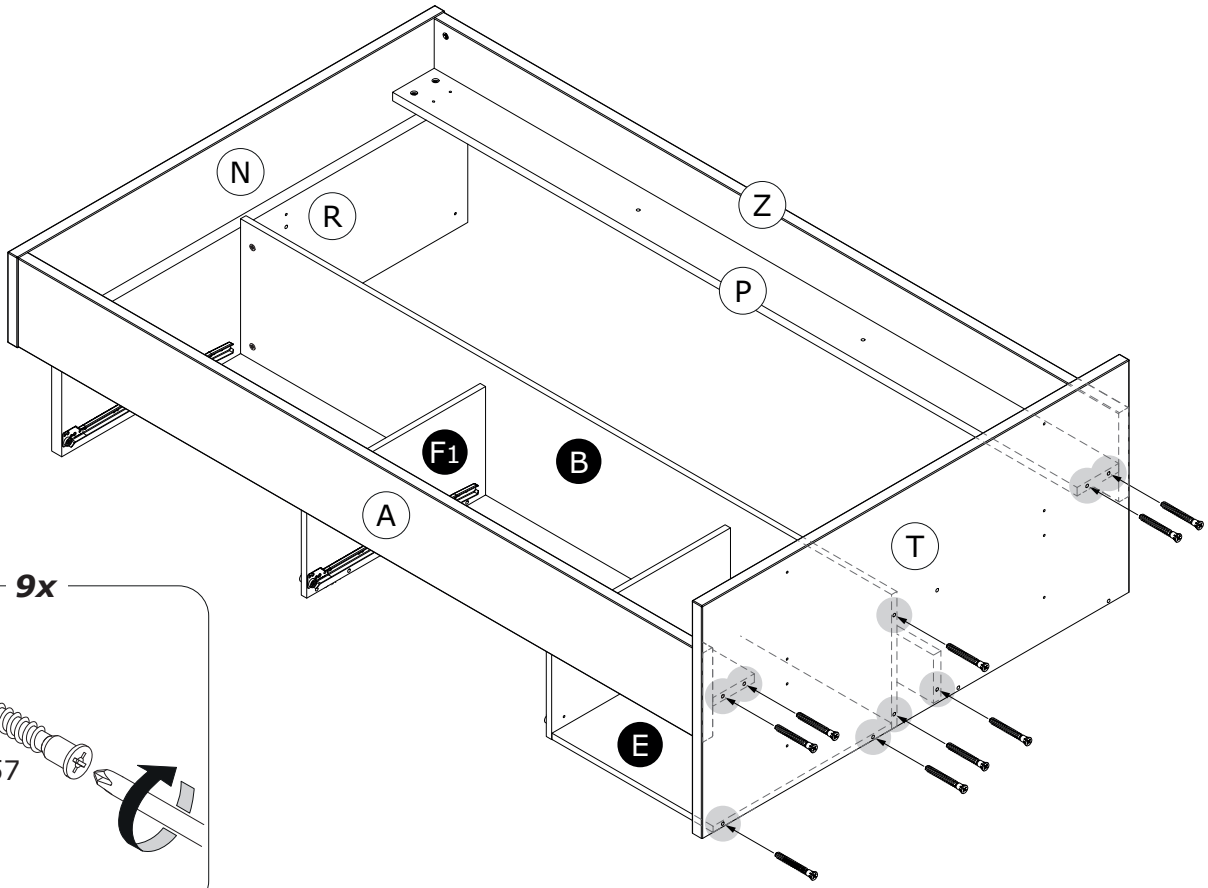
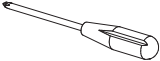
65

C



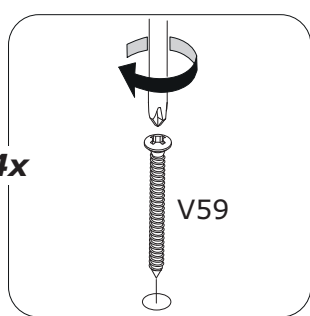
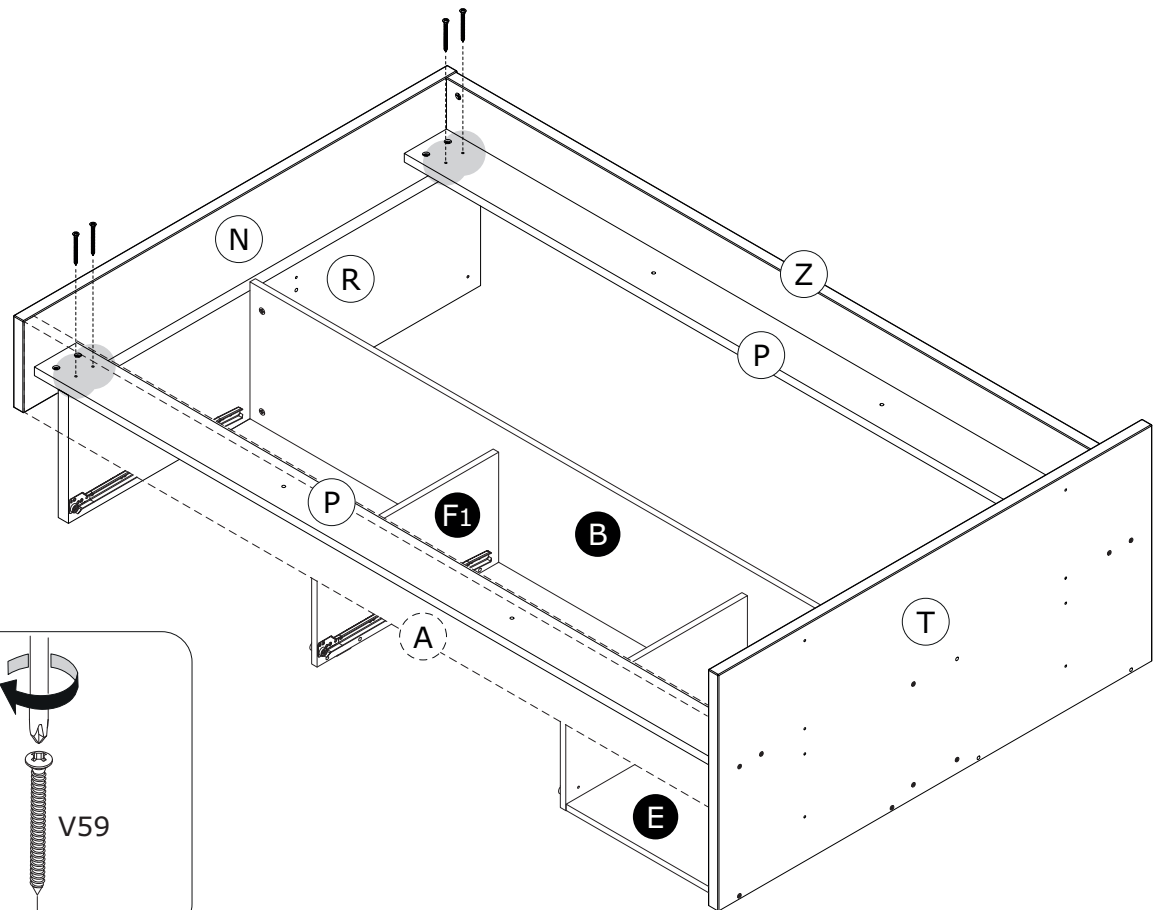
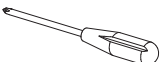
66

C



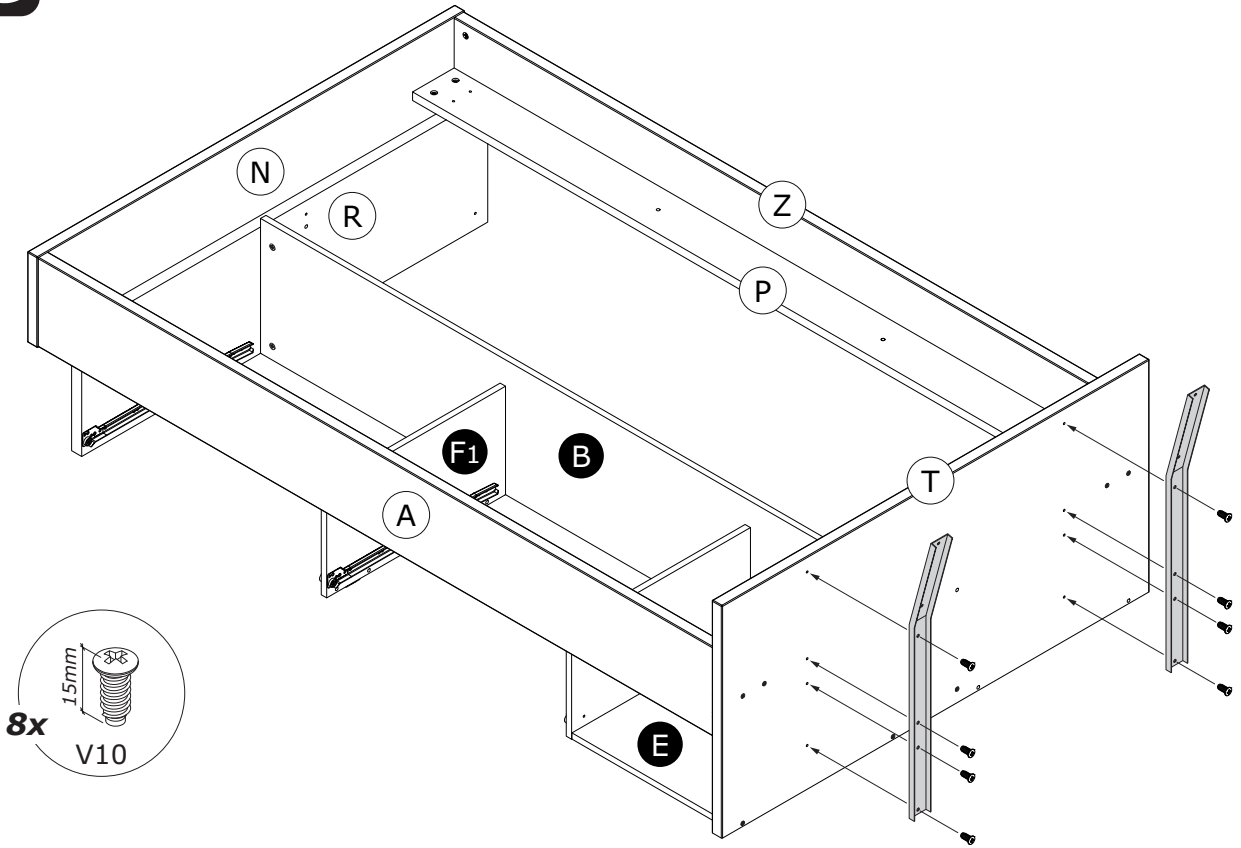
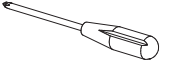
67

C



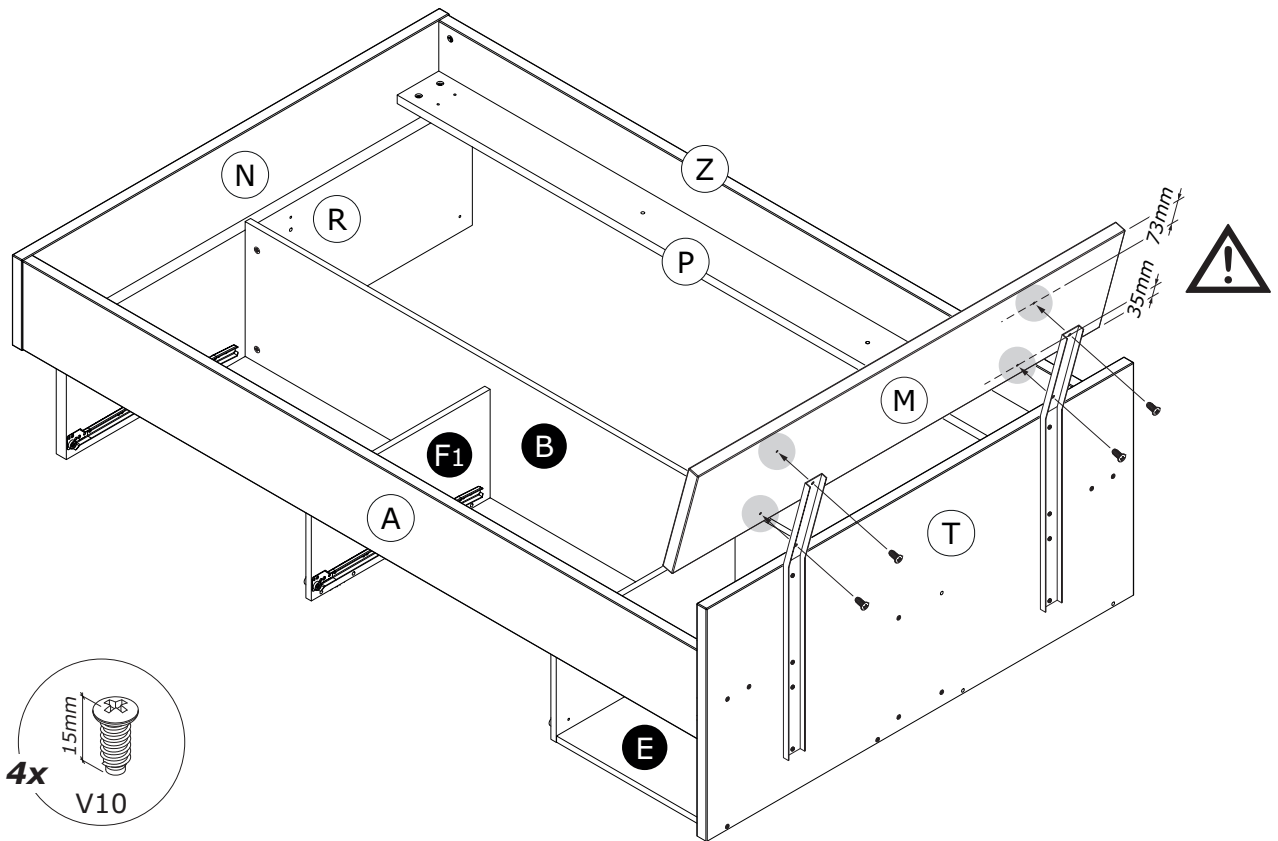
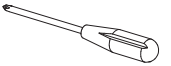
68

C



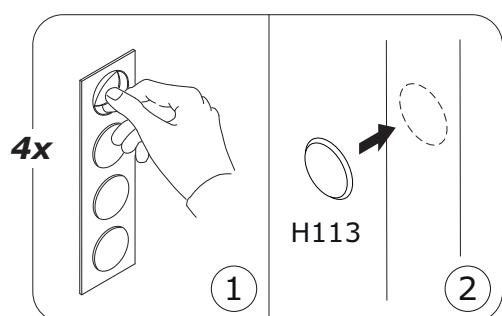
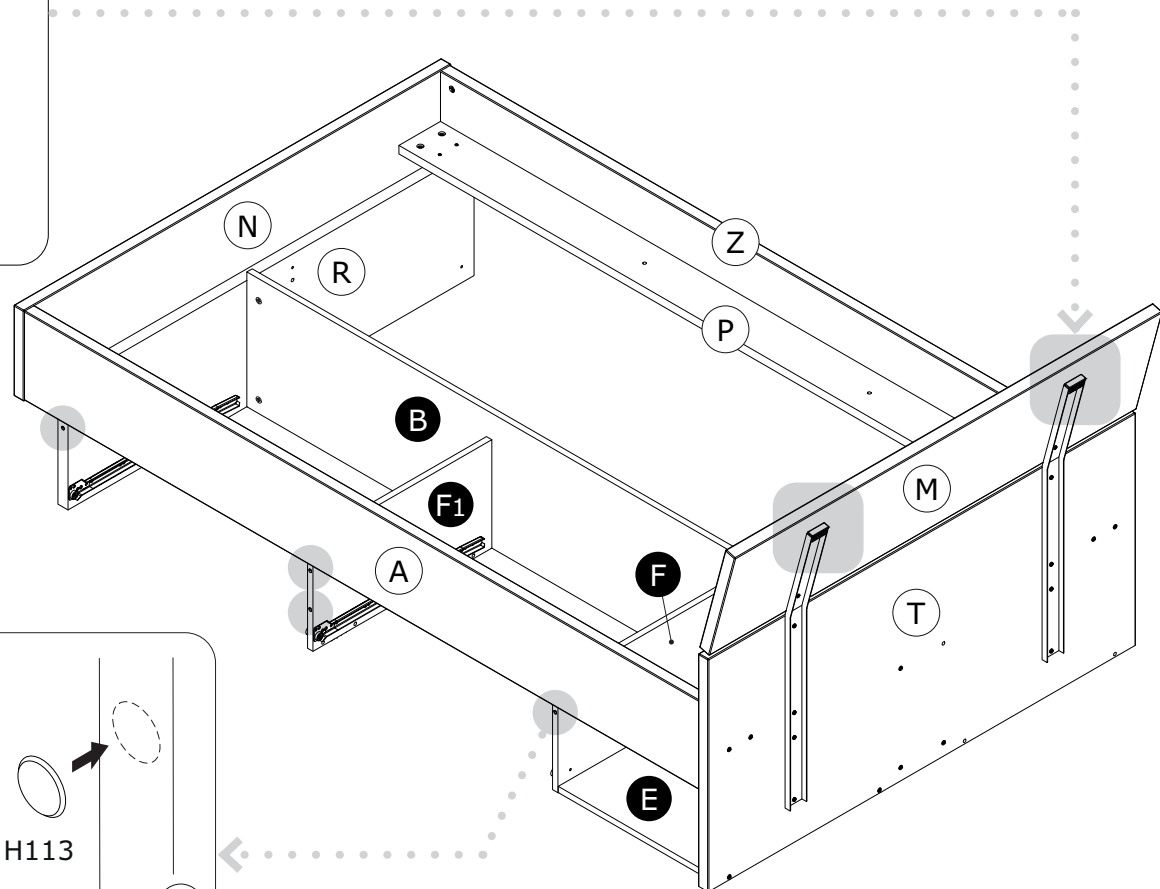
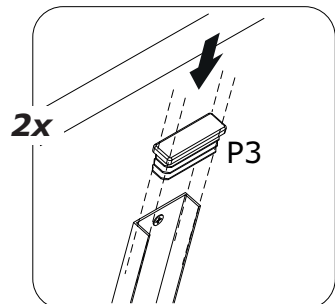
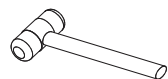
69

C



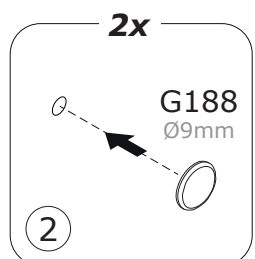
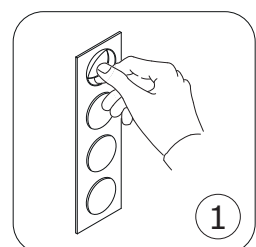
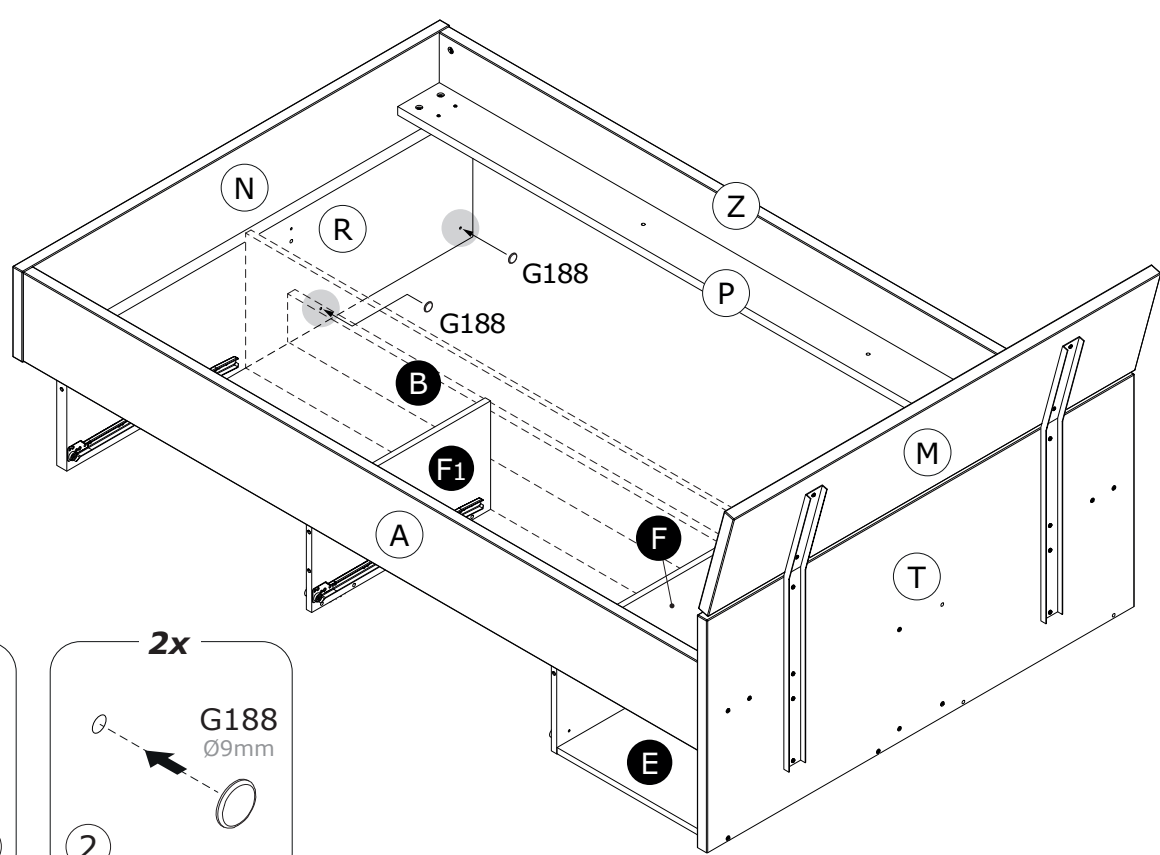
70

C



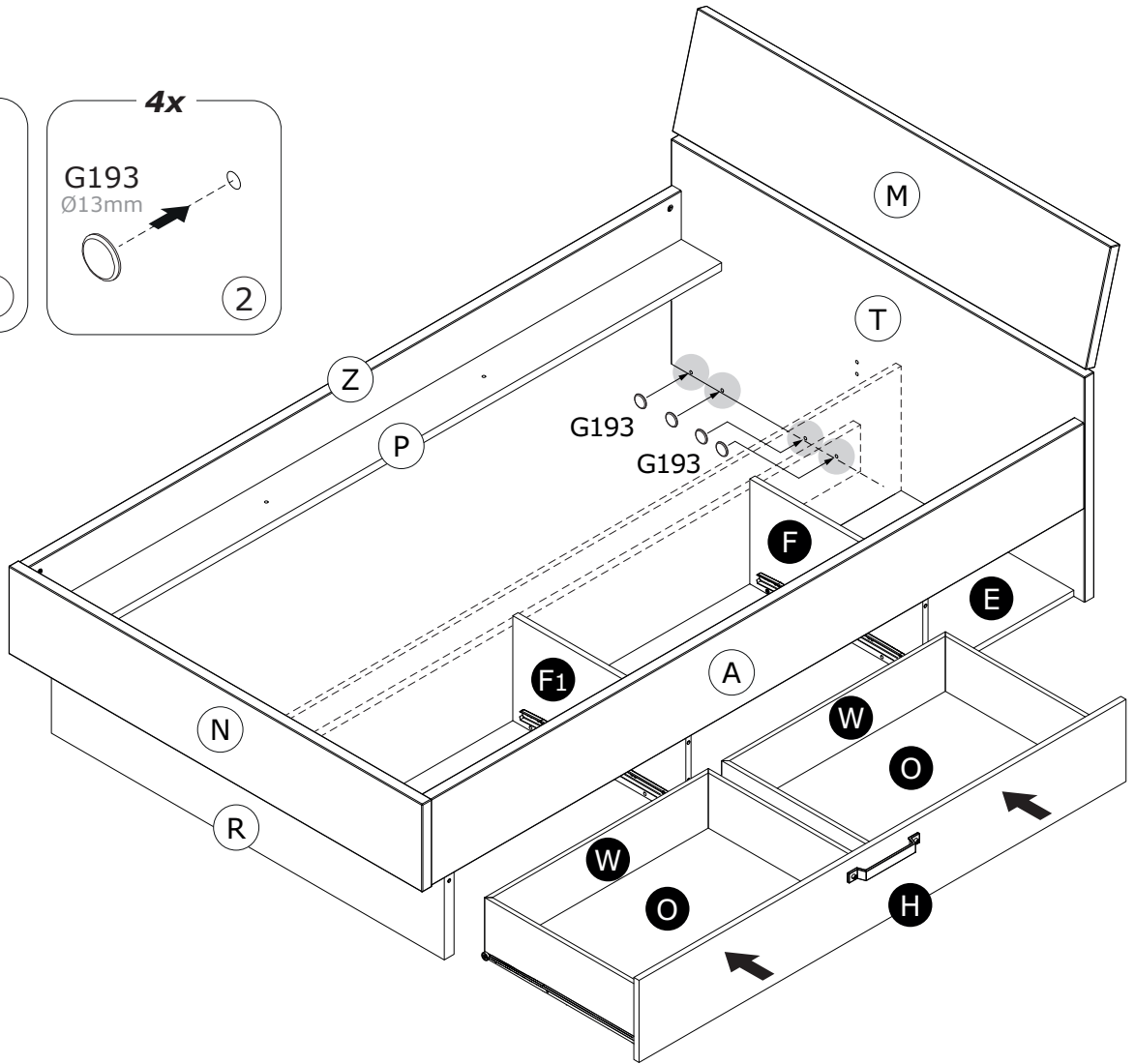
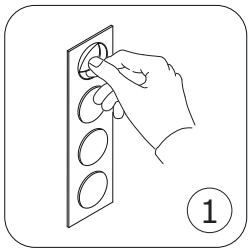
71

C

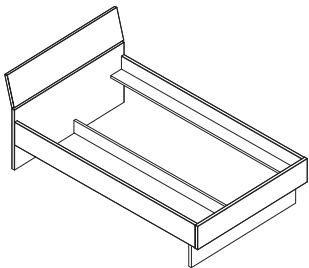


72

C

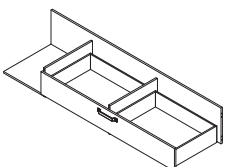


D

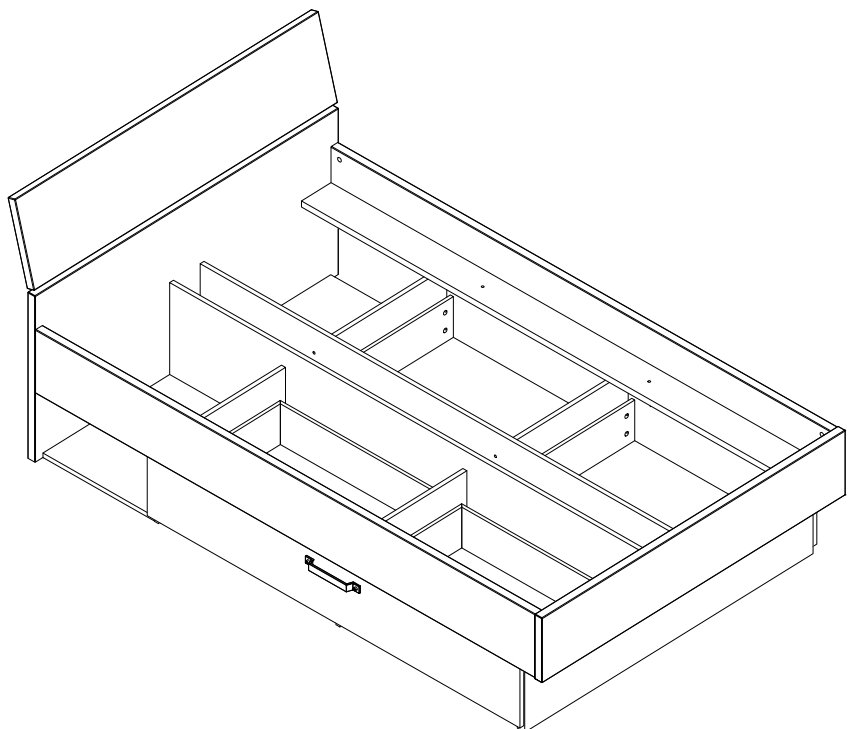


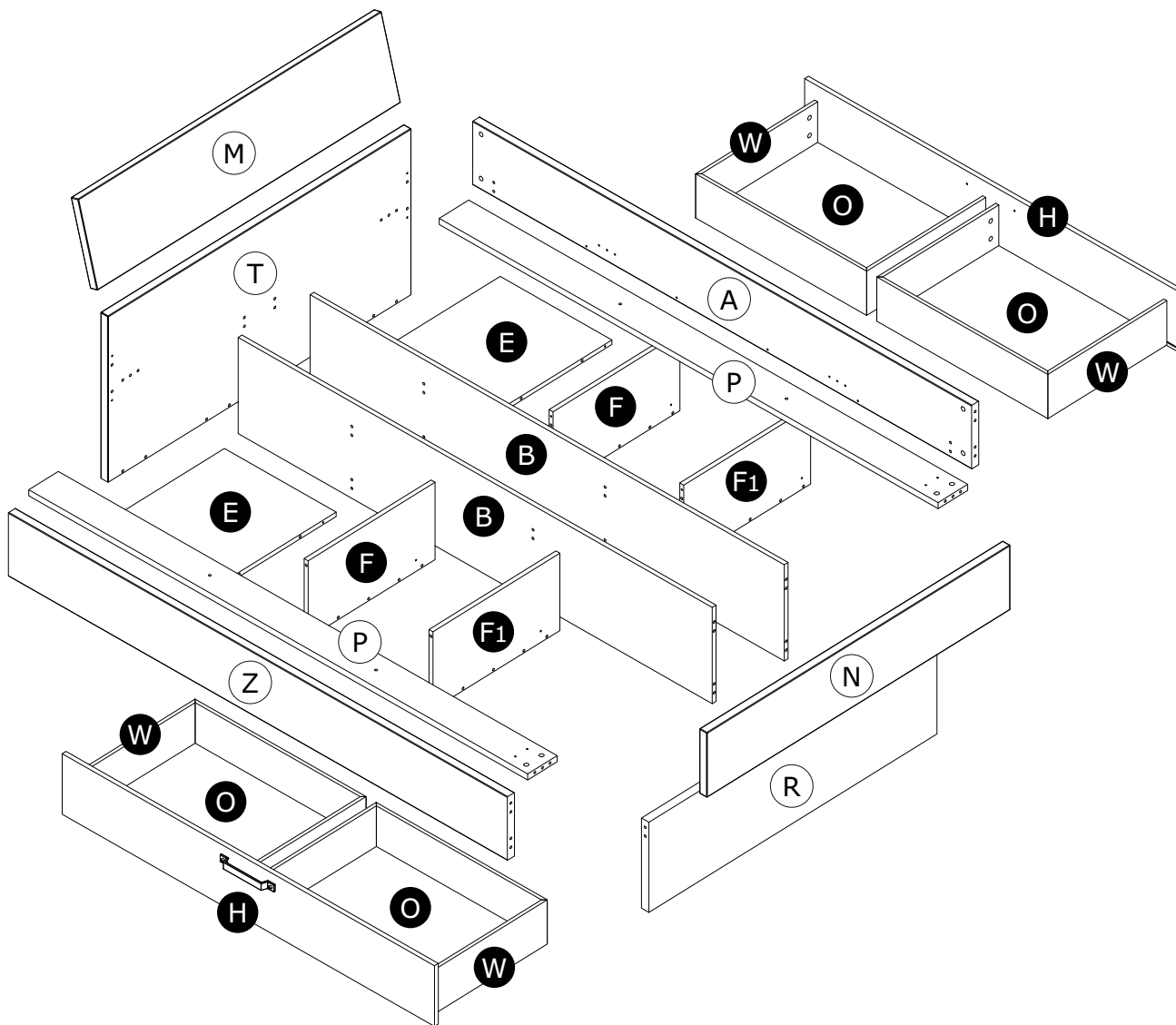
LT2102

+



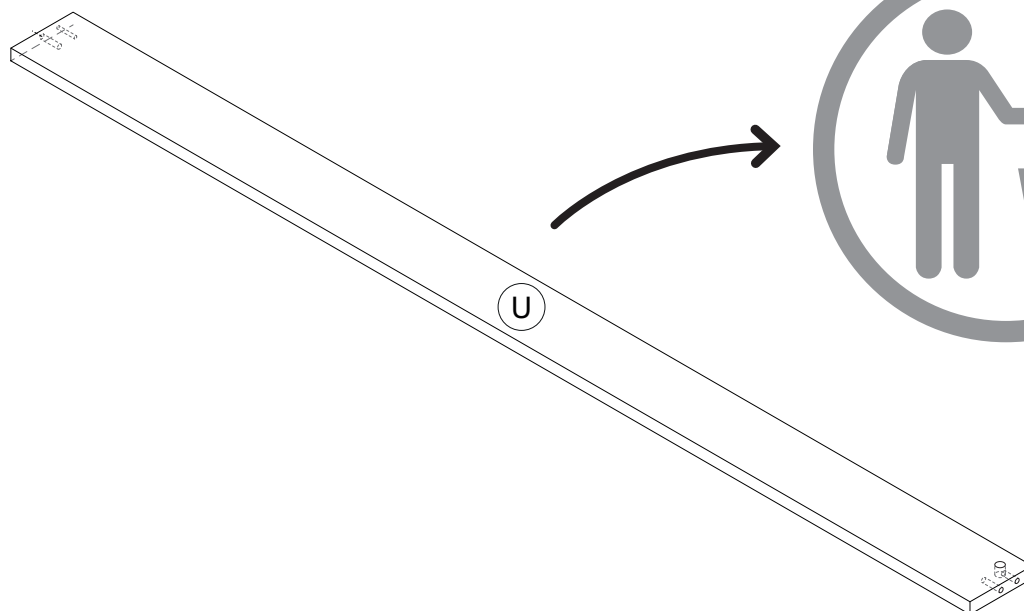
2X CS2110





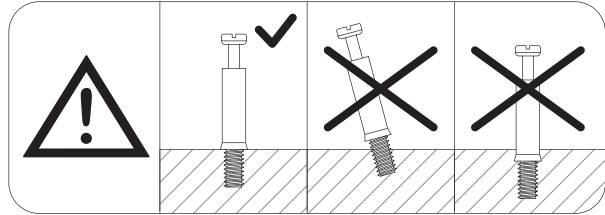
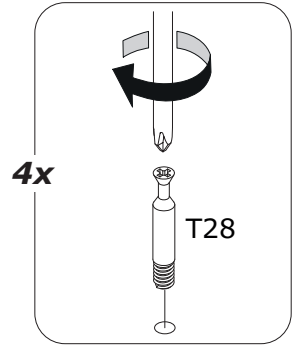
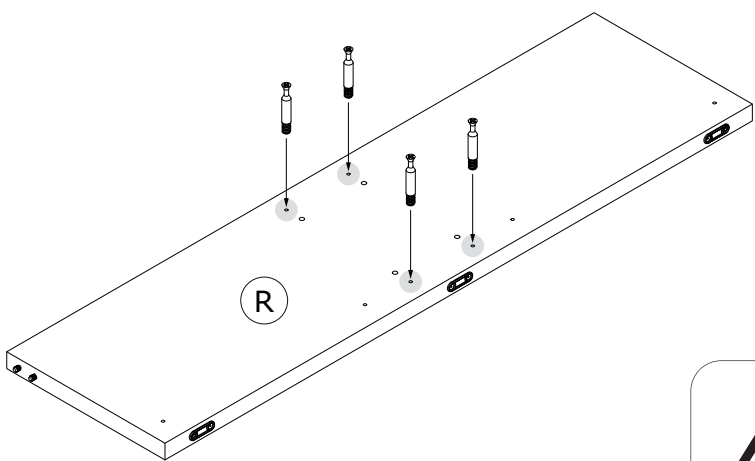
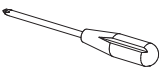
73

D



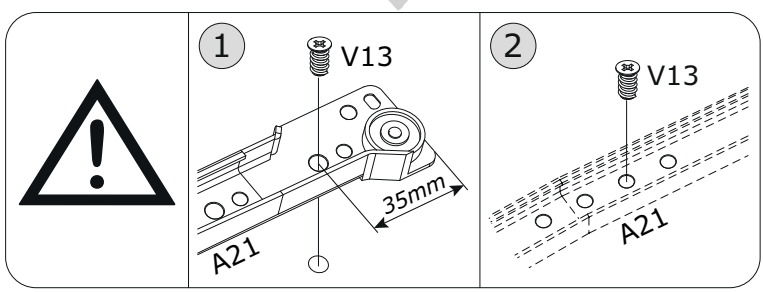
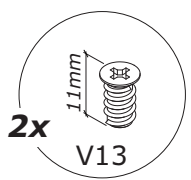
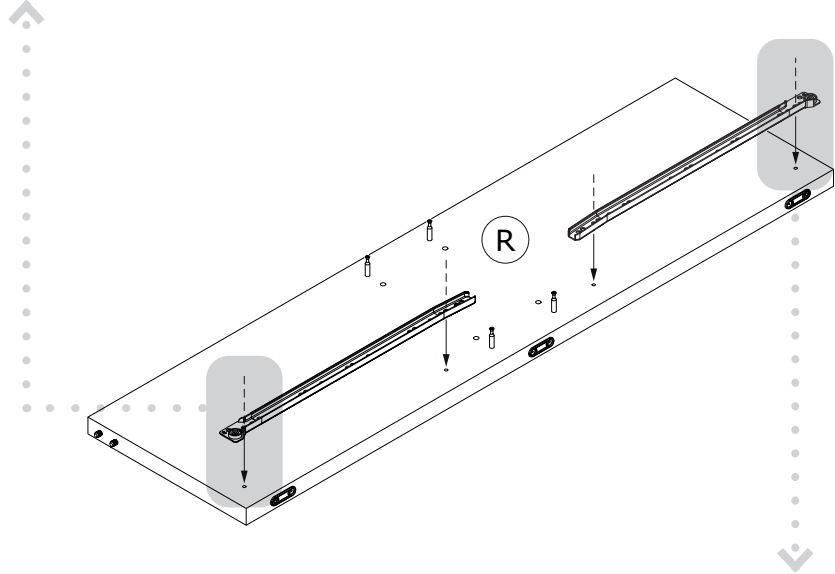
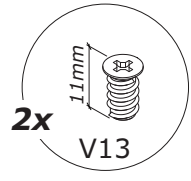
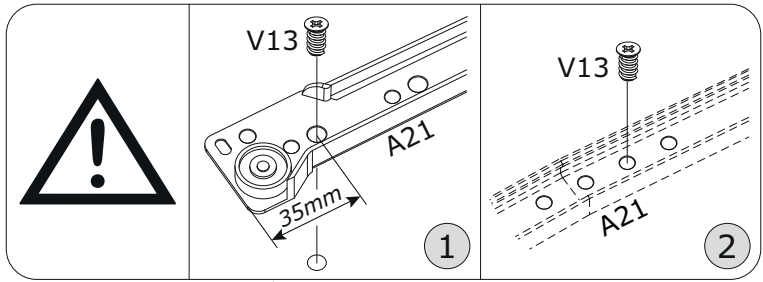
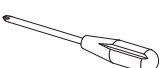
74

D



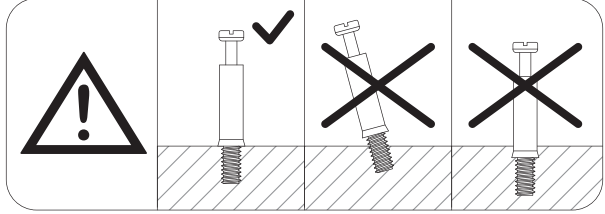
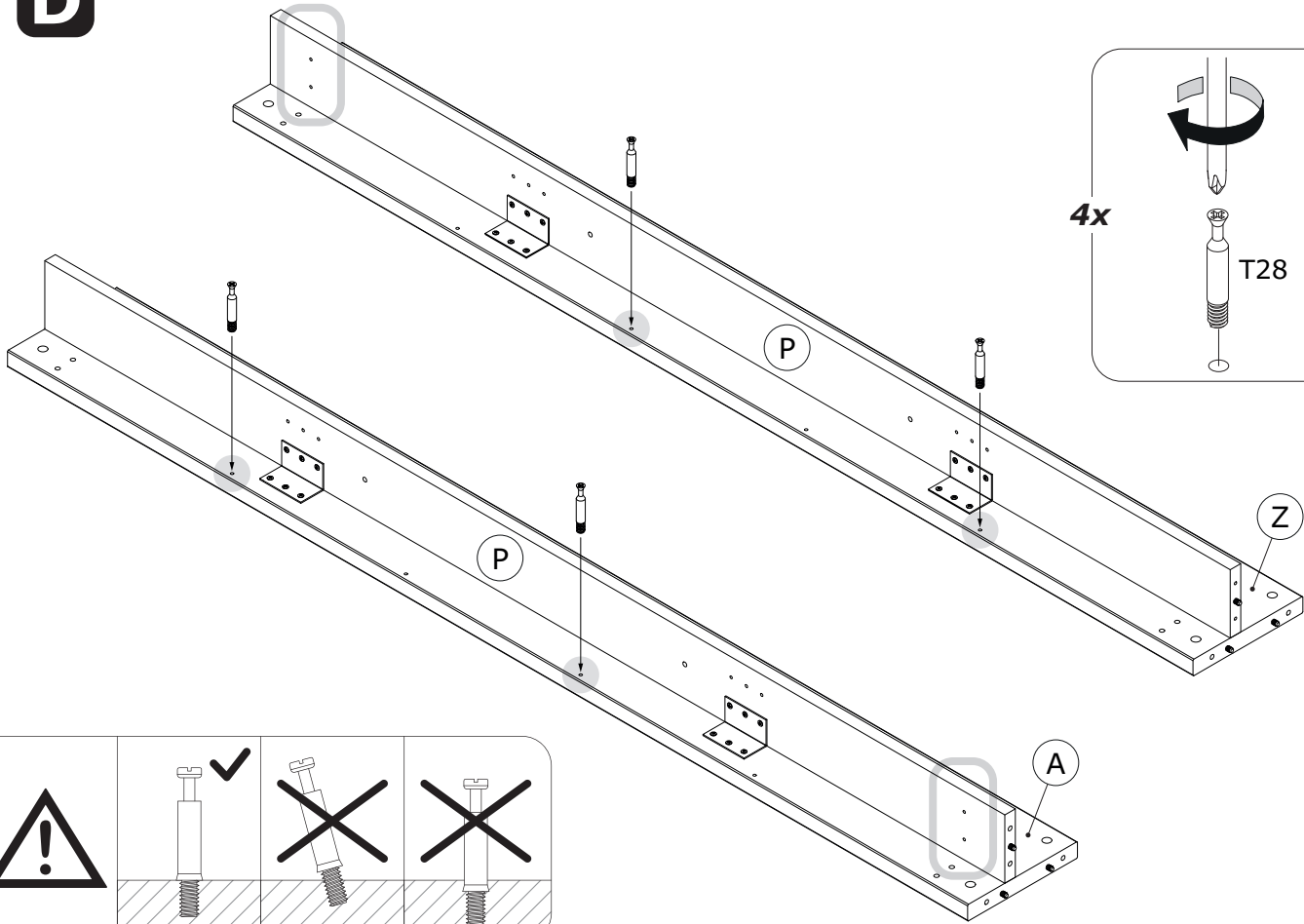
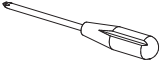
75

D



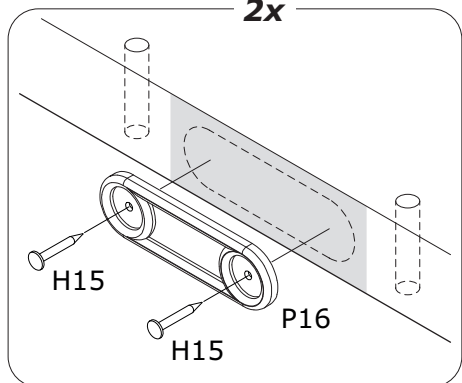
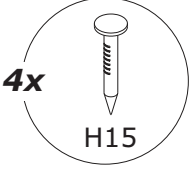
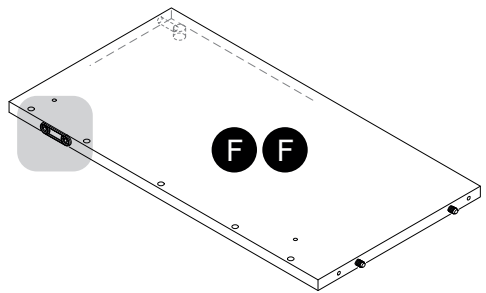
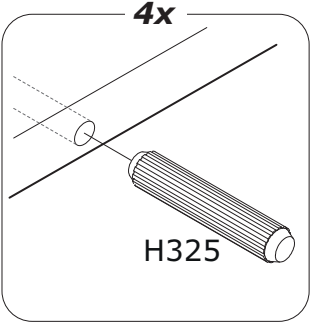
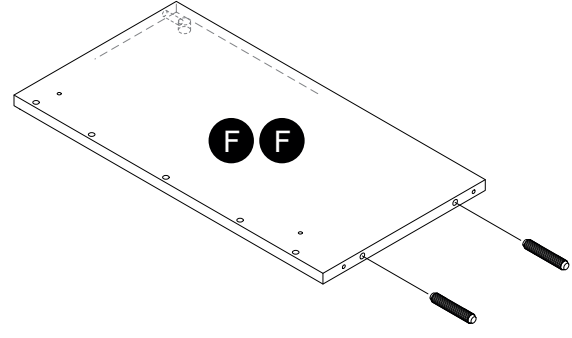
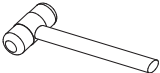
76

D



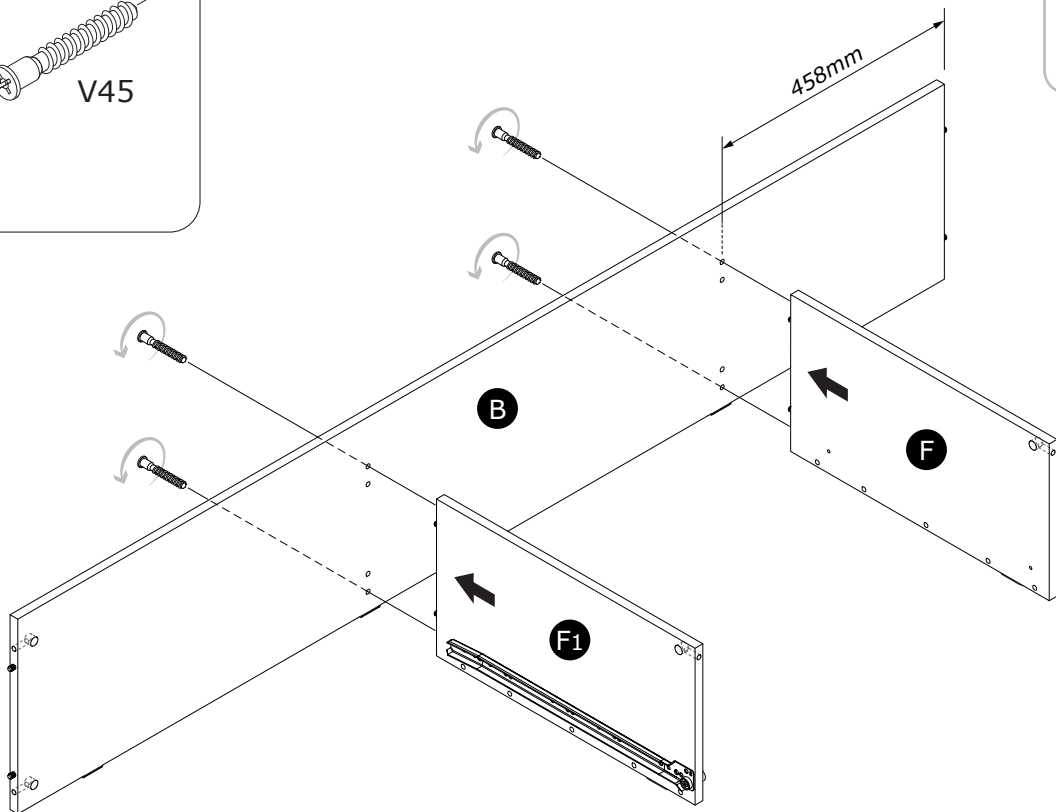
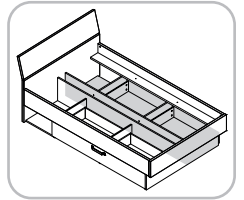
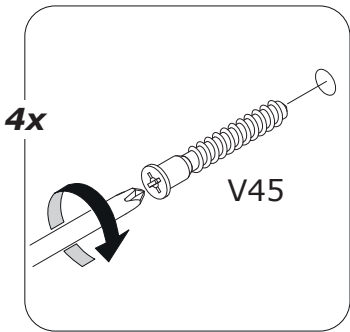
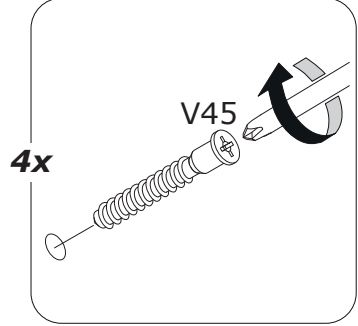
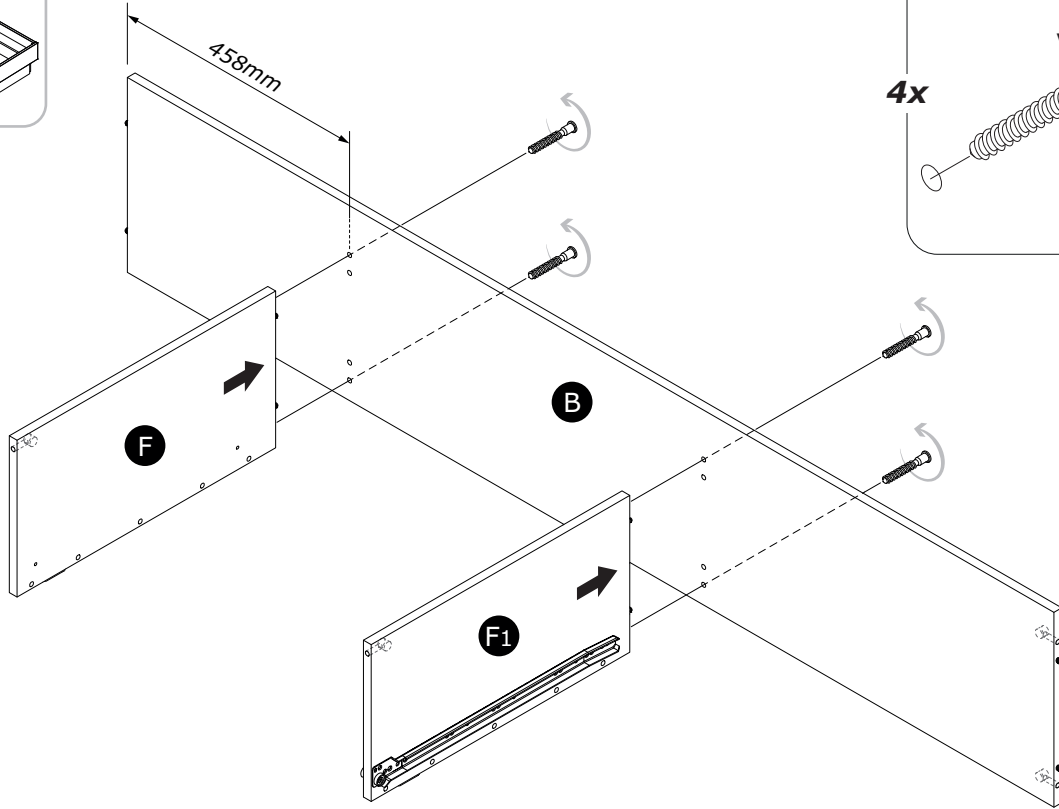
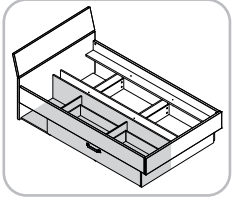
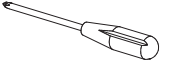
77

D



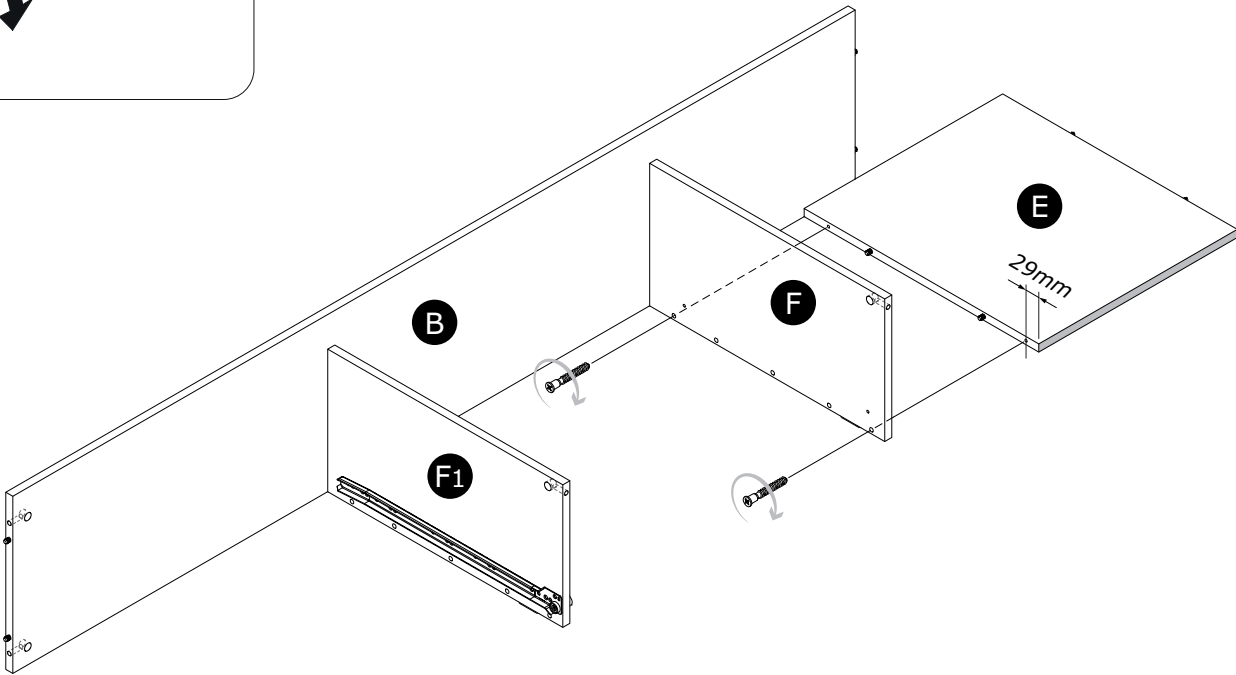
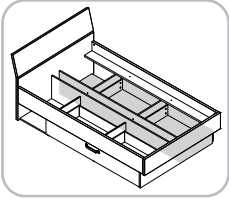
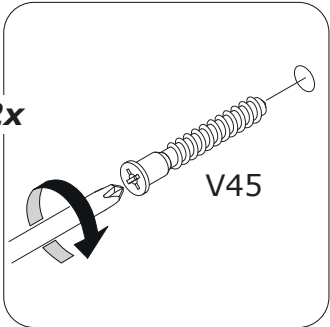
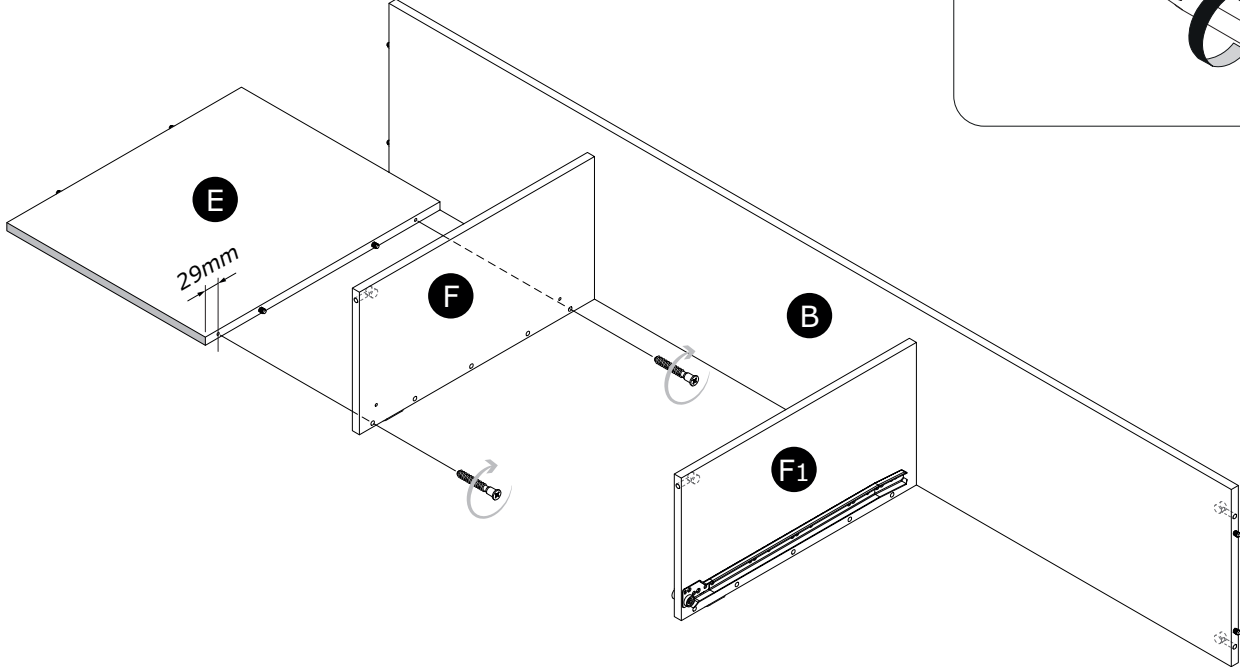
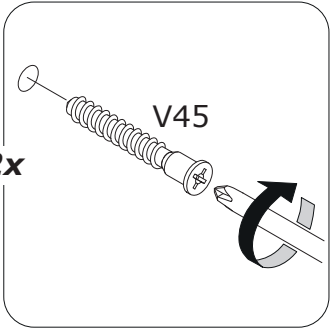
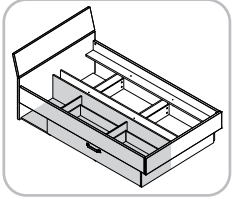
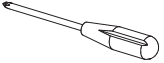
78

D



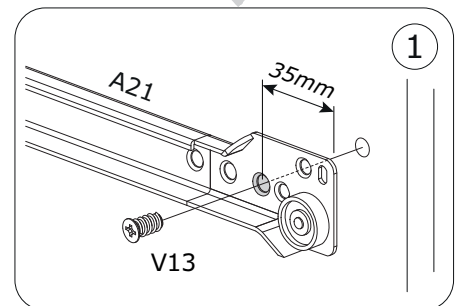
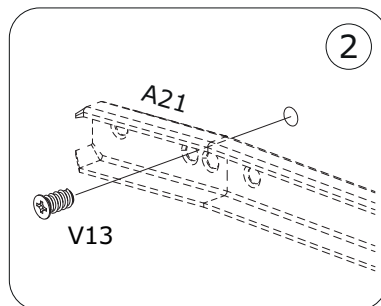
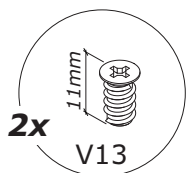
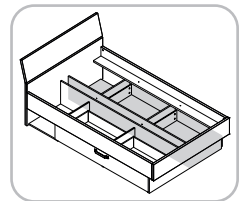
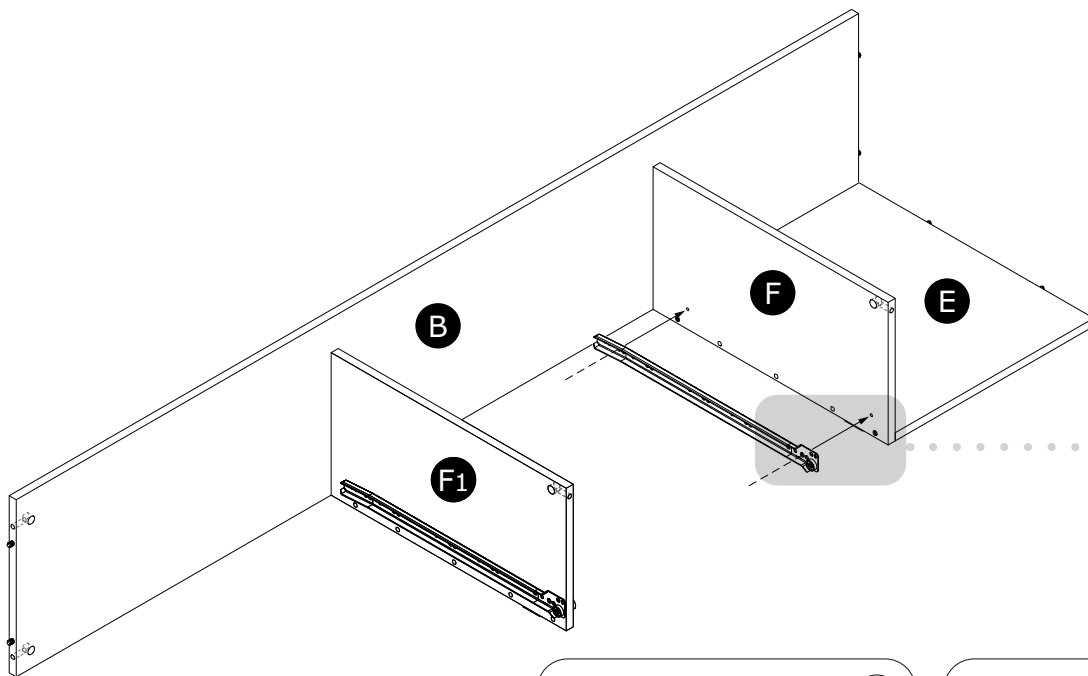
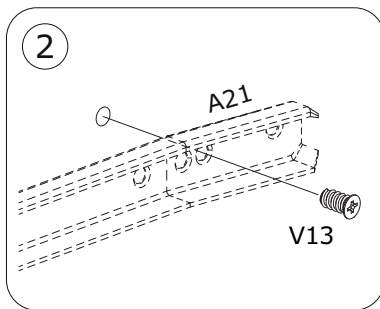
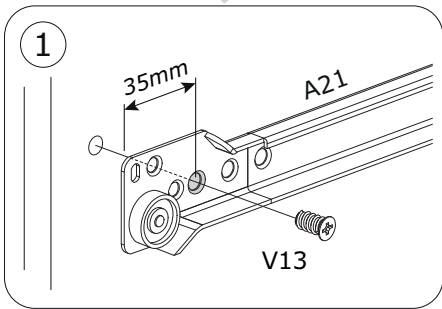
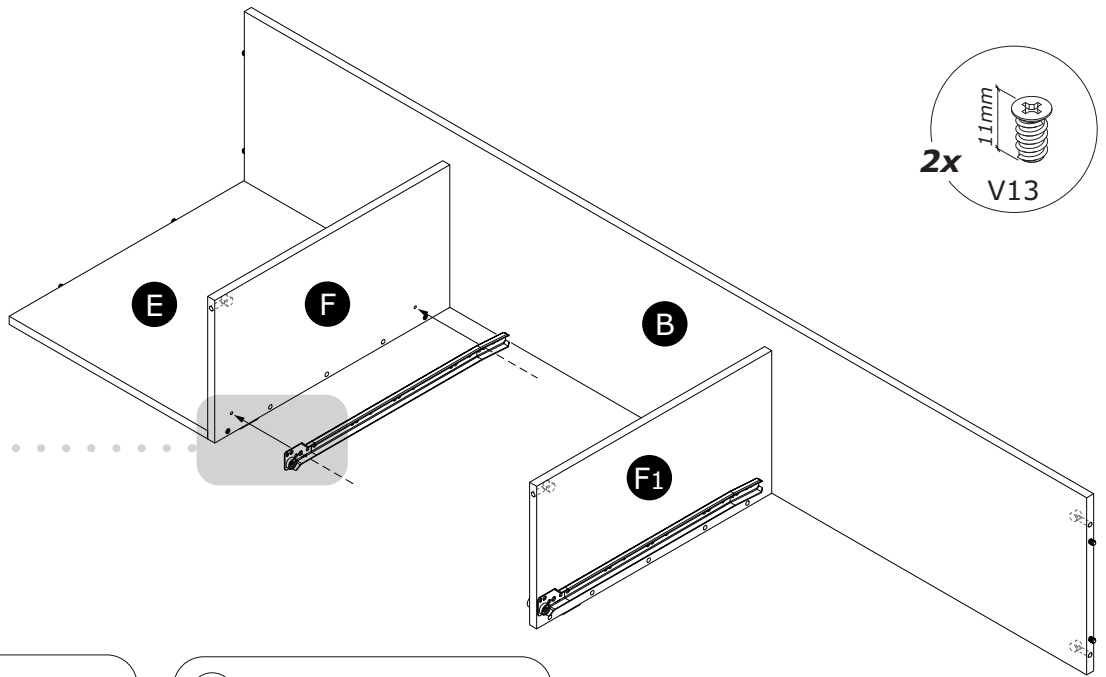
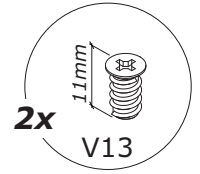
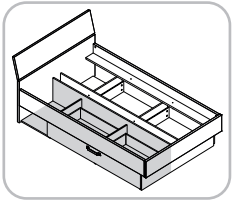
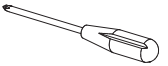
79

D



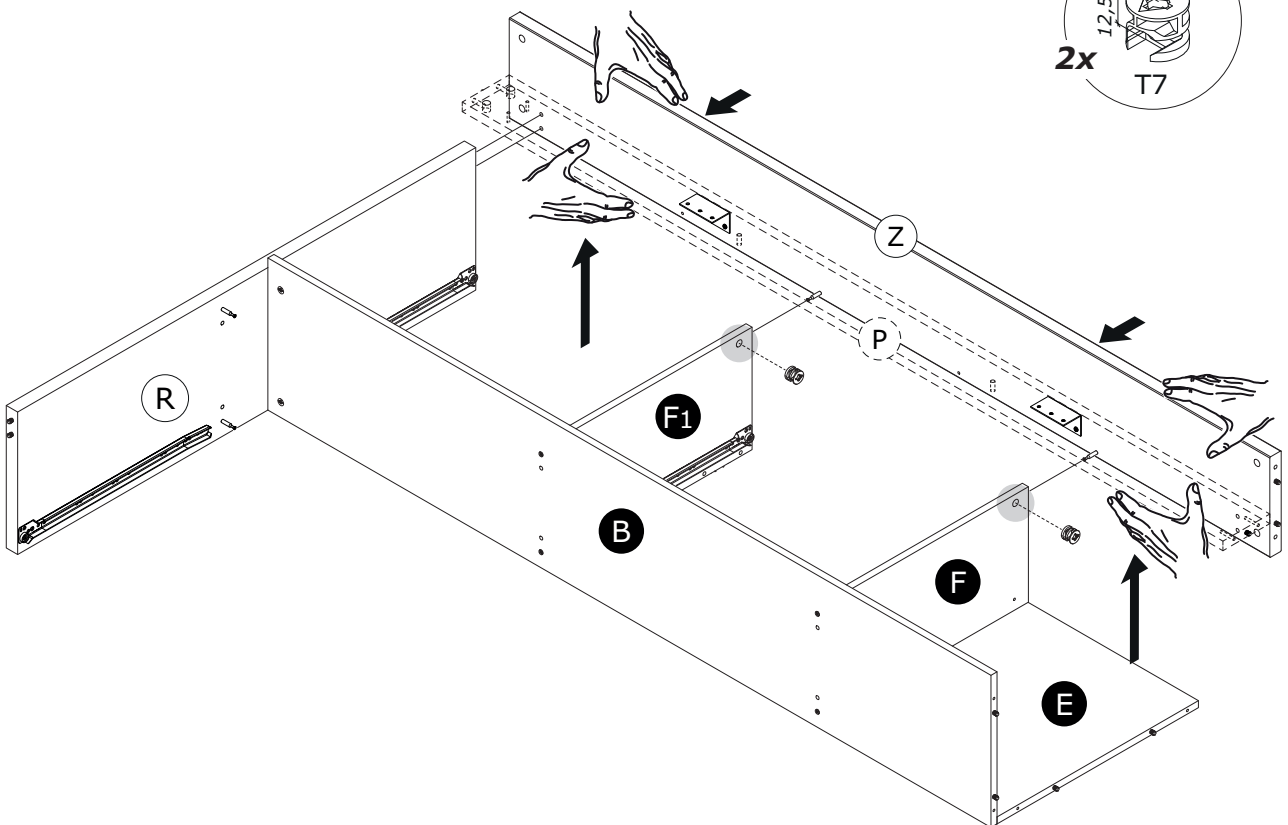
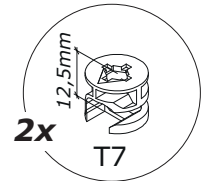
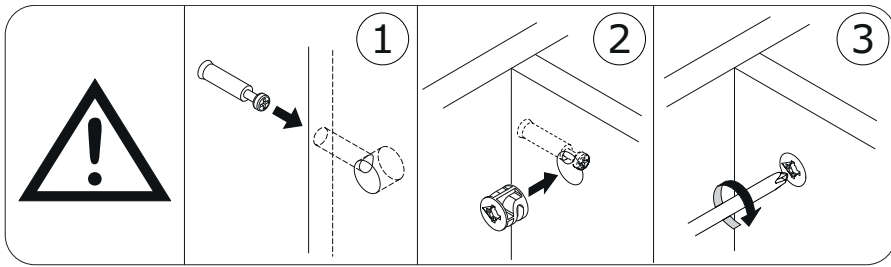
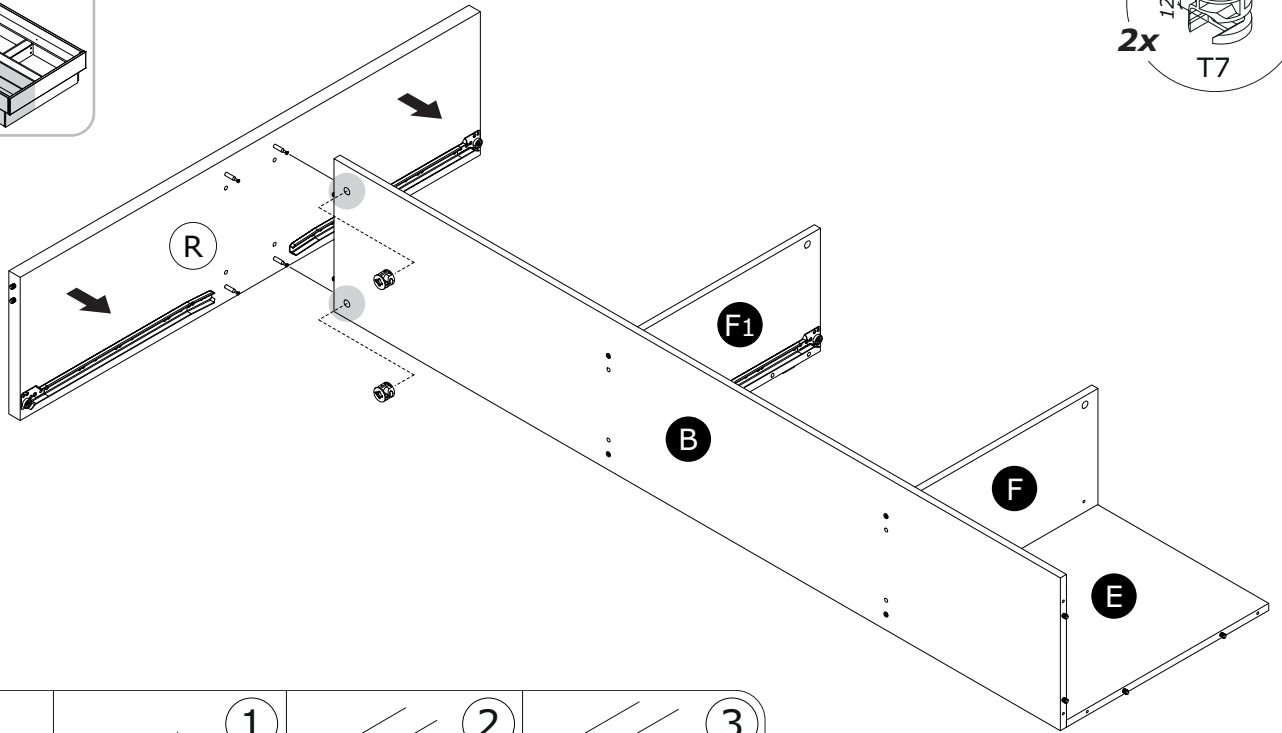
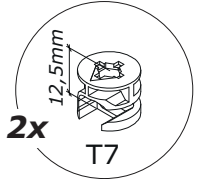
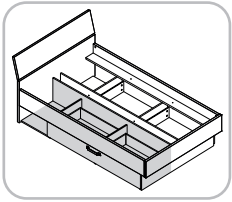
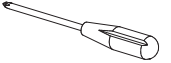
80

D



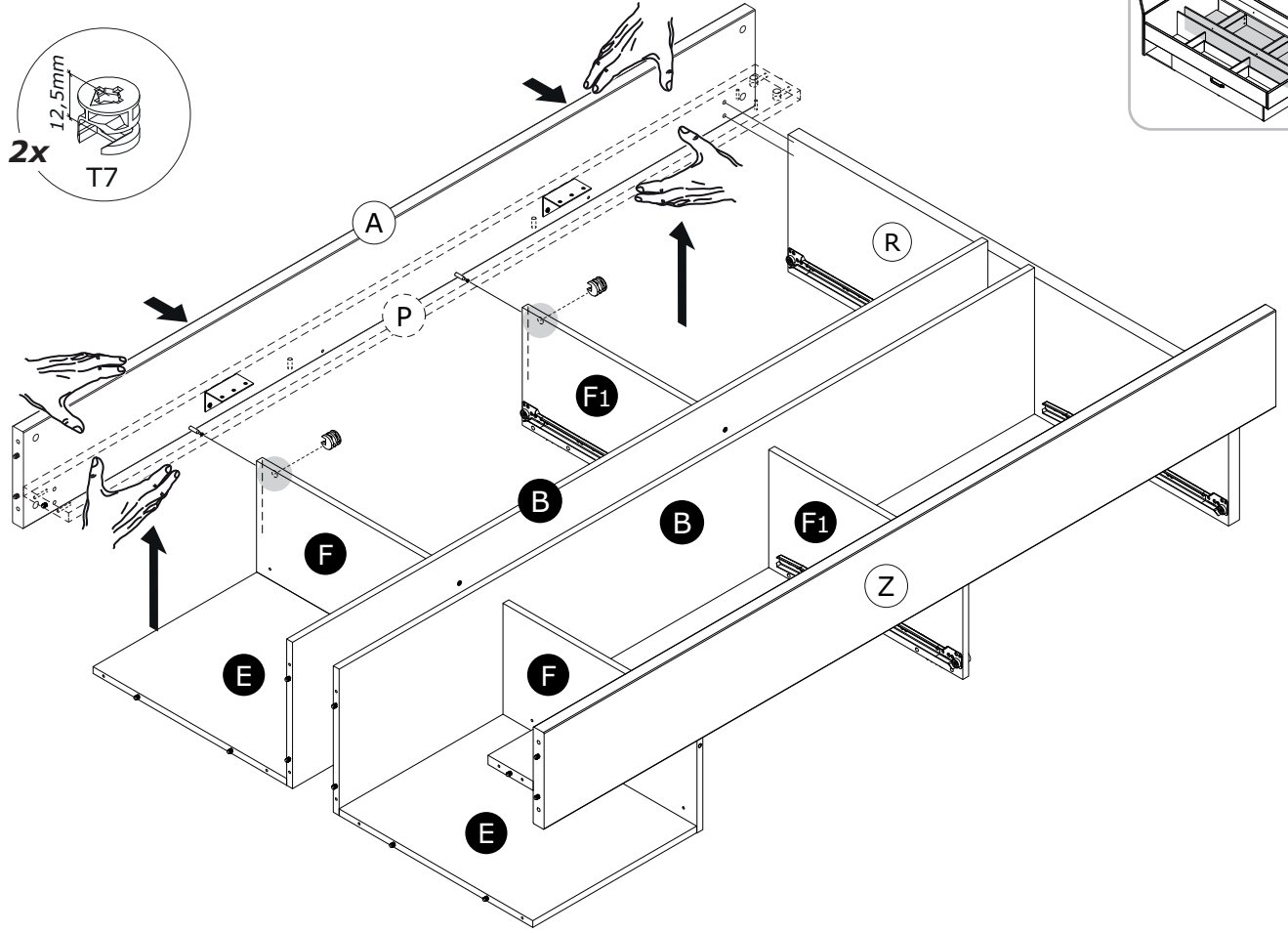
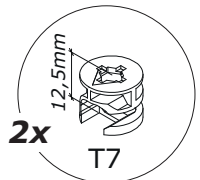
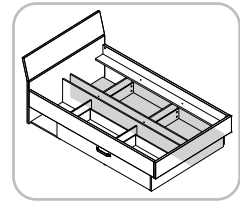
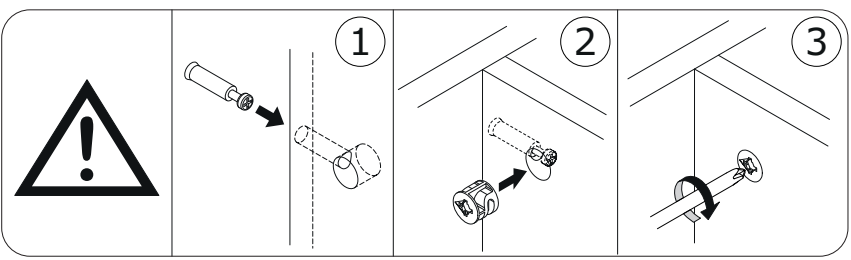
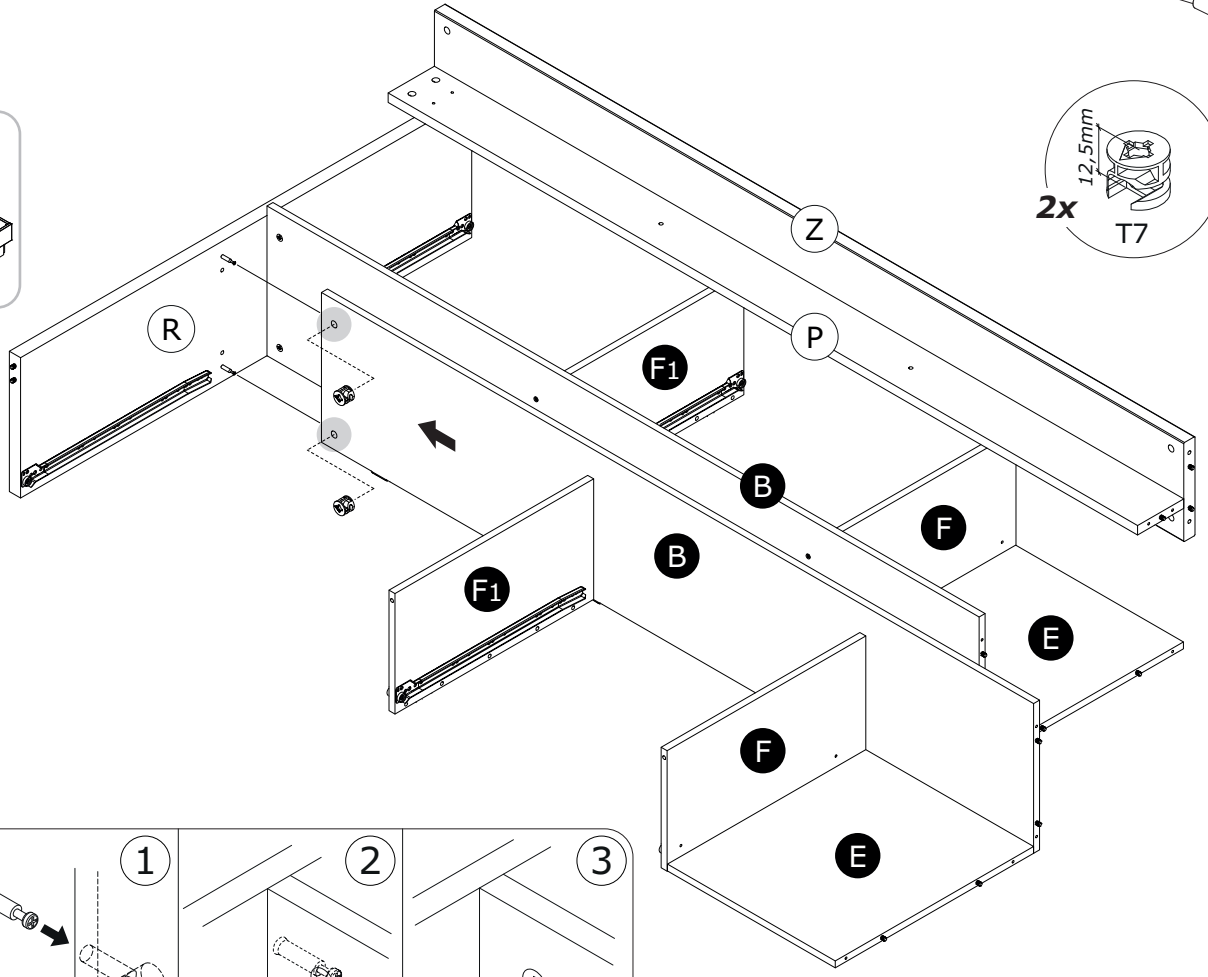
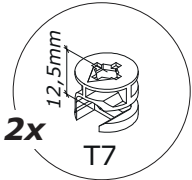
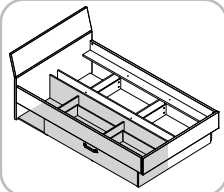
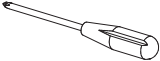
81

D

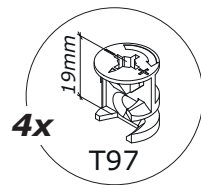
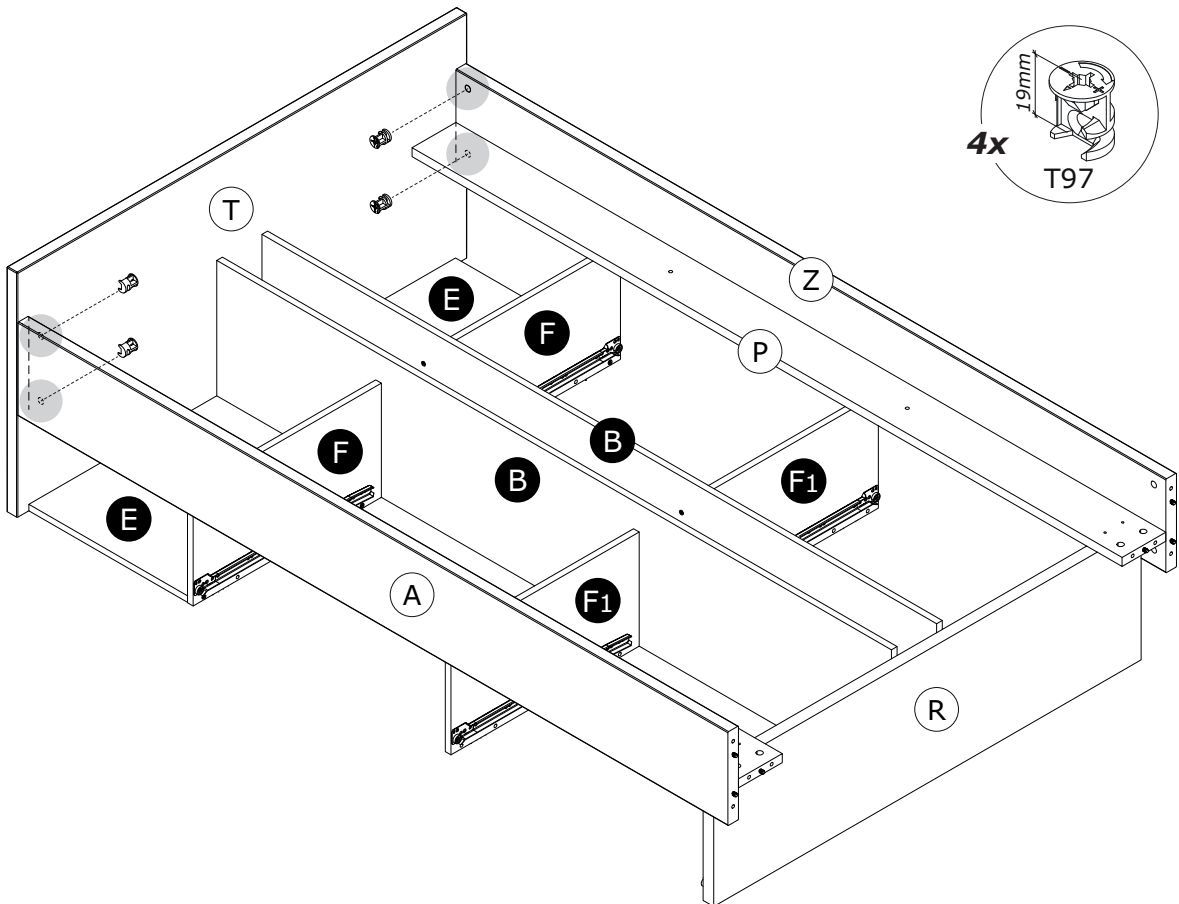
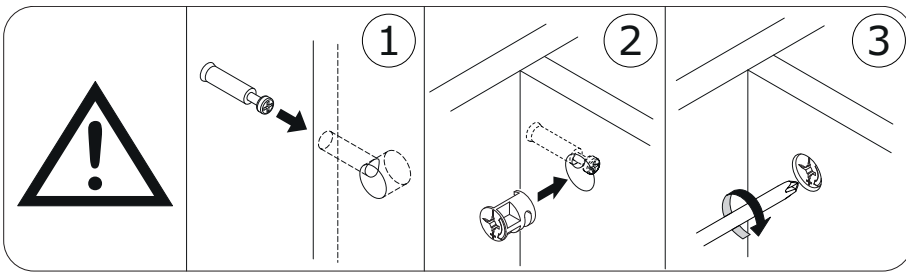
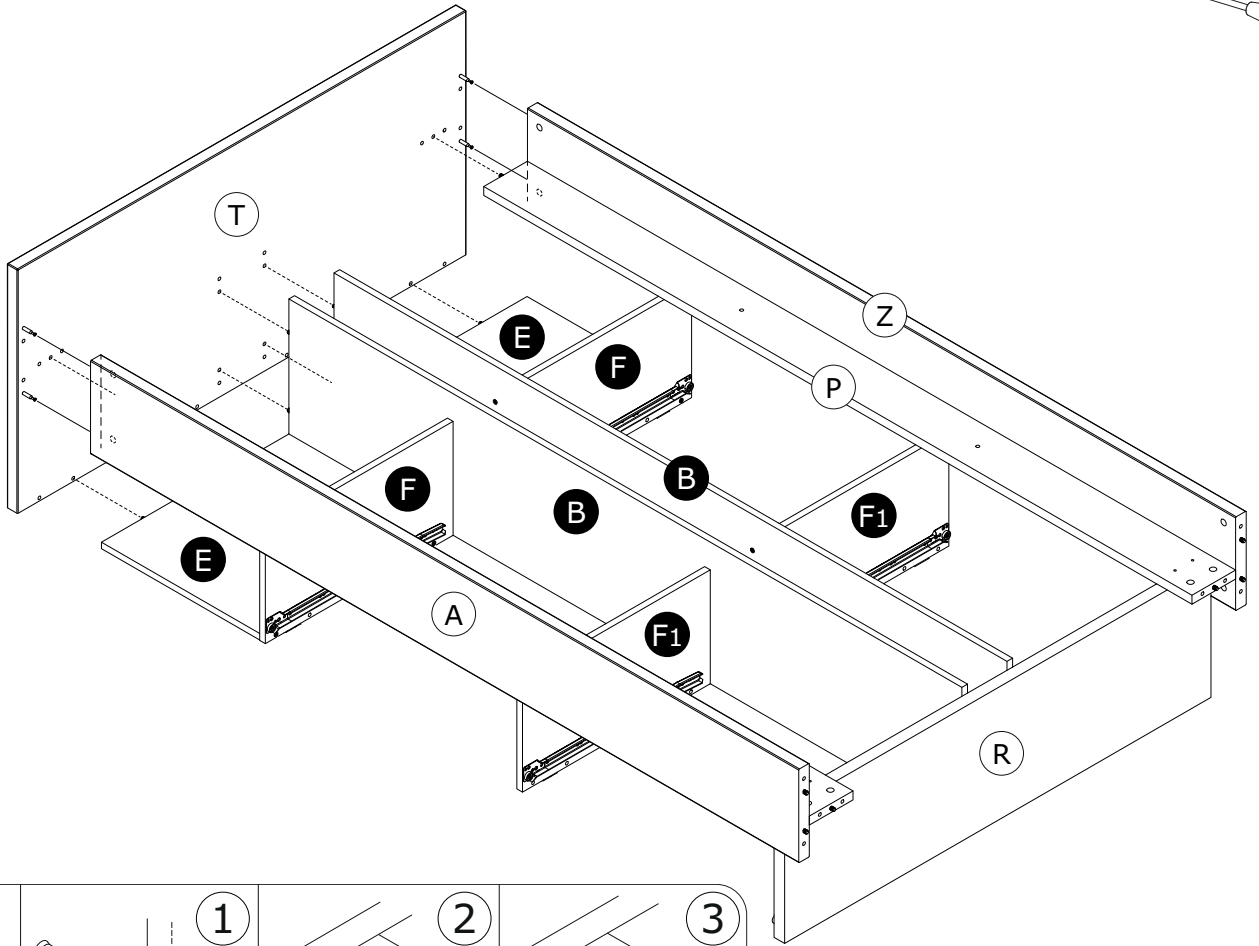
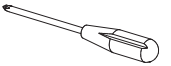


82

D

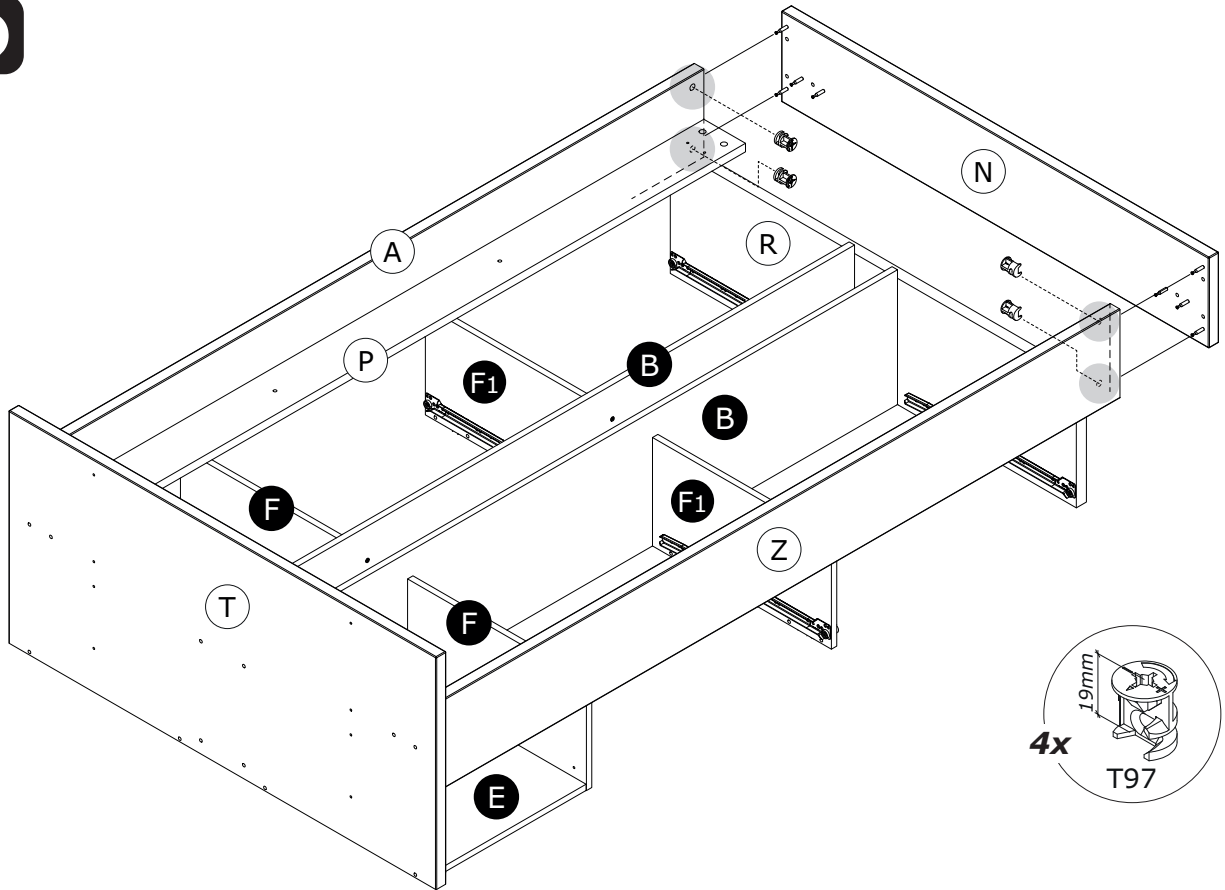


D



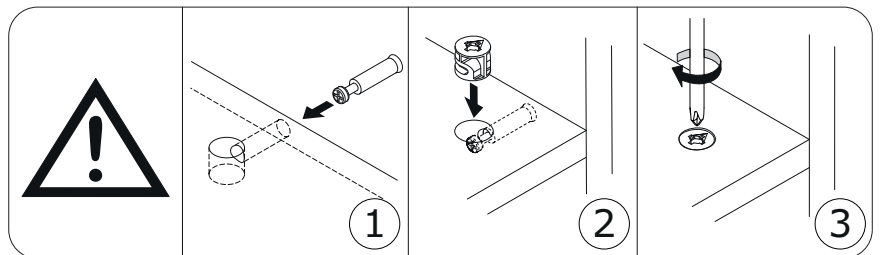
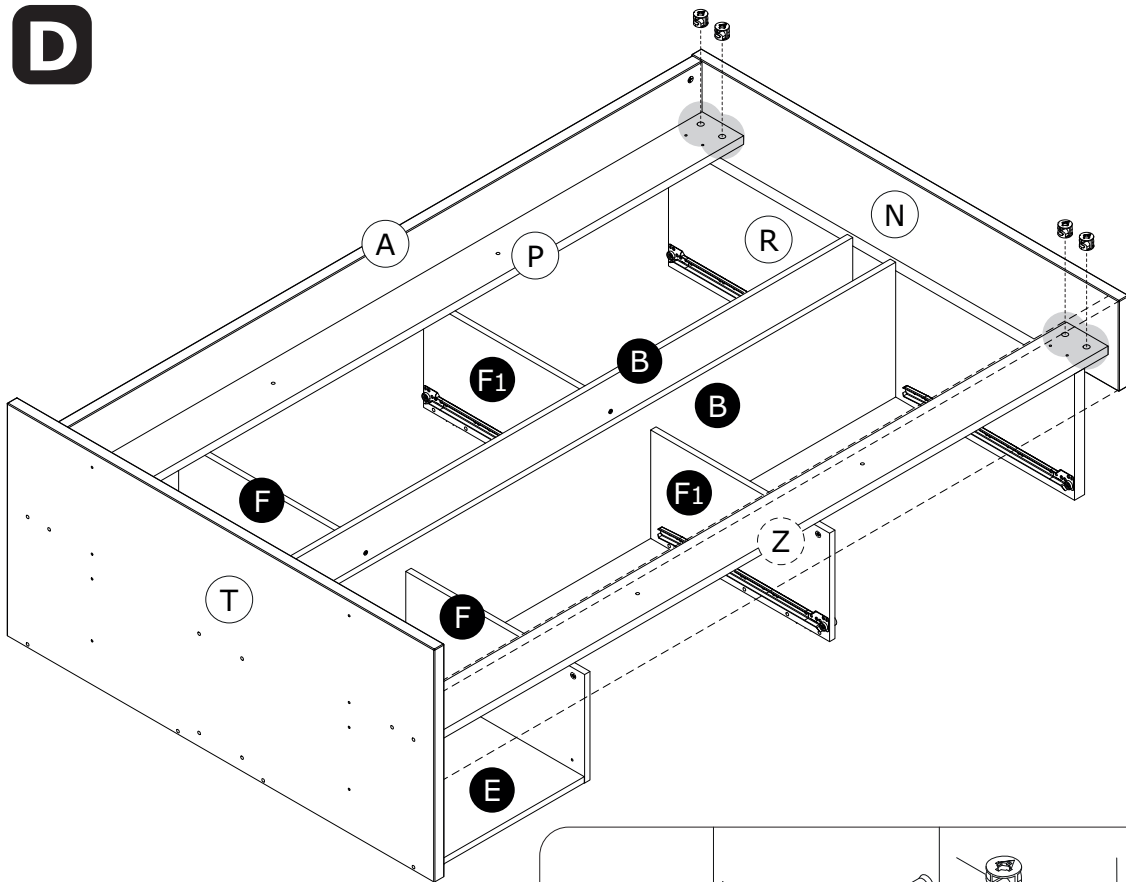
84

D



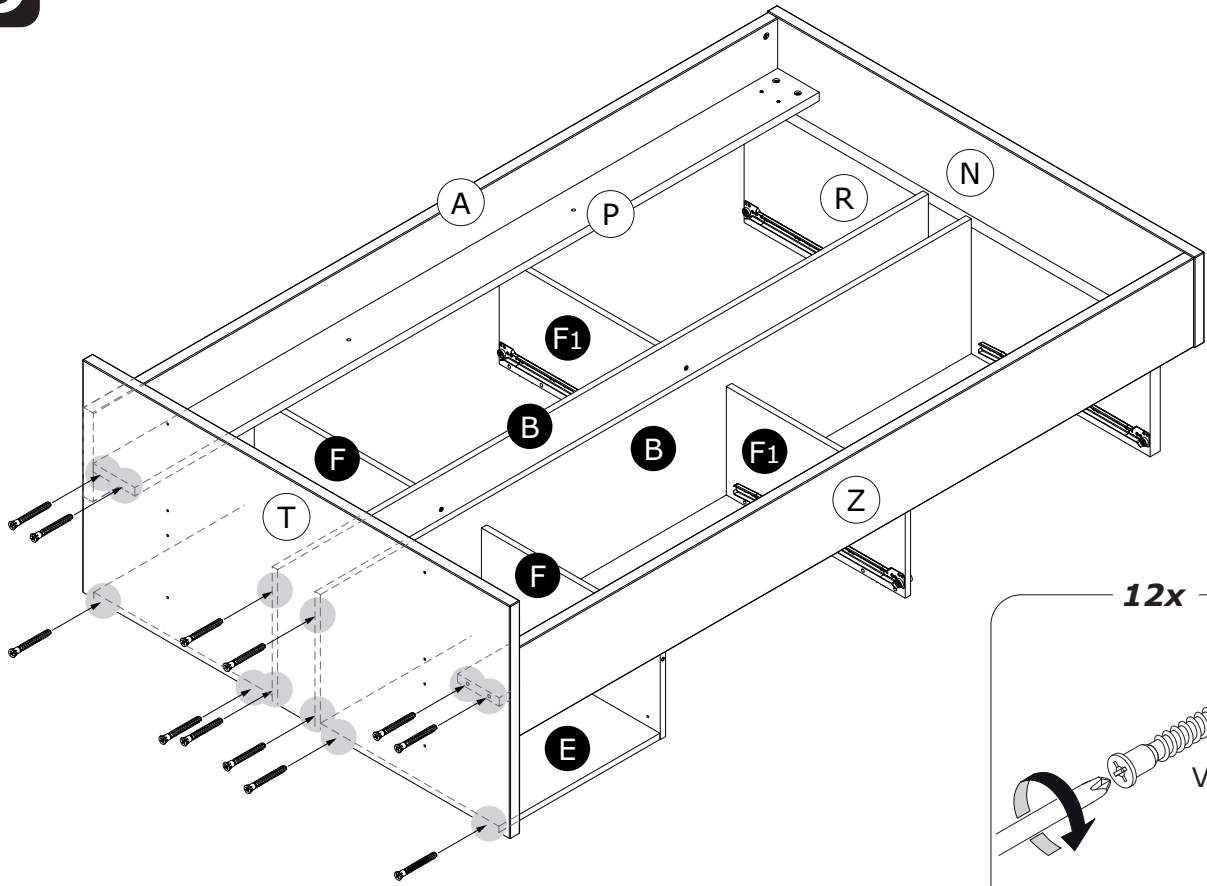
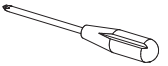
85

D



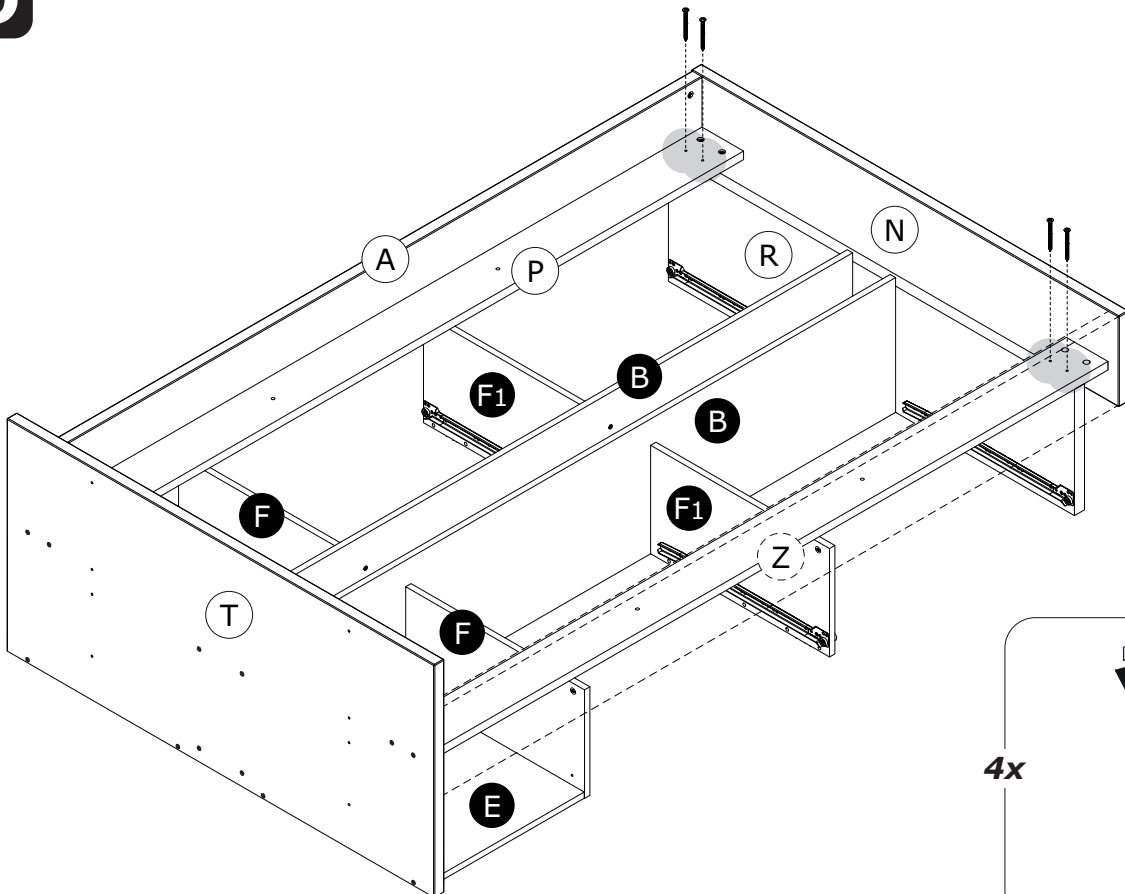
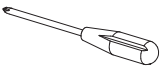
86

D



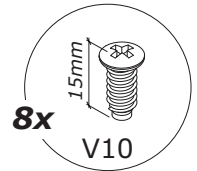
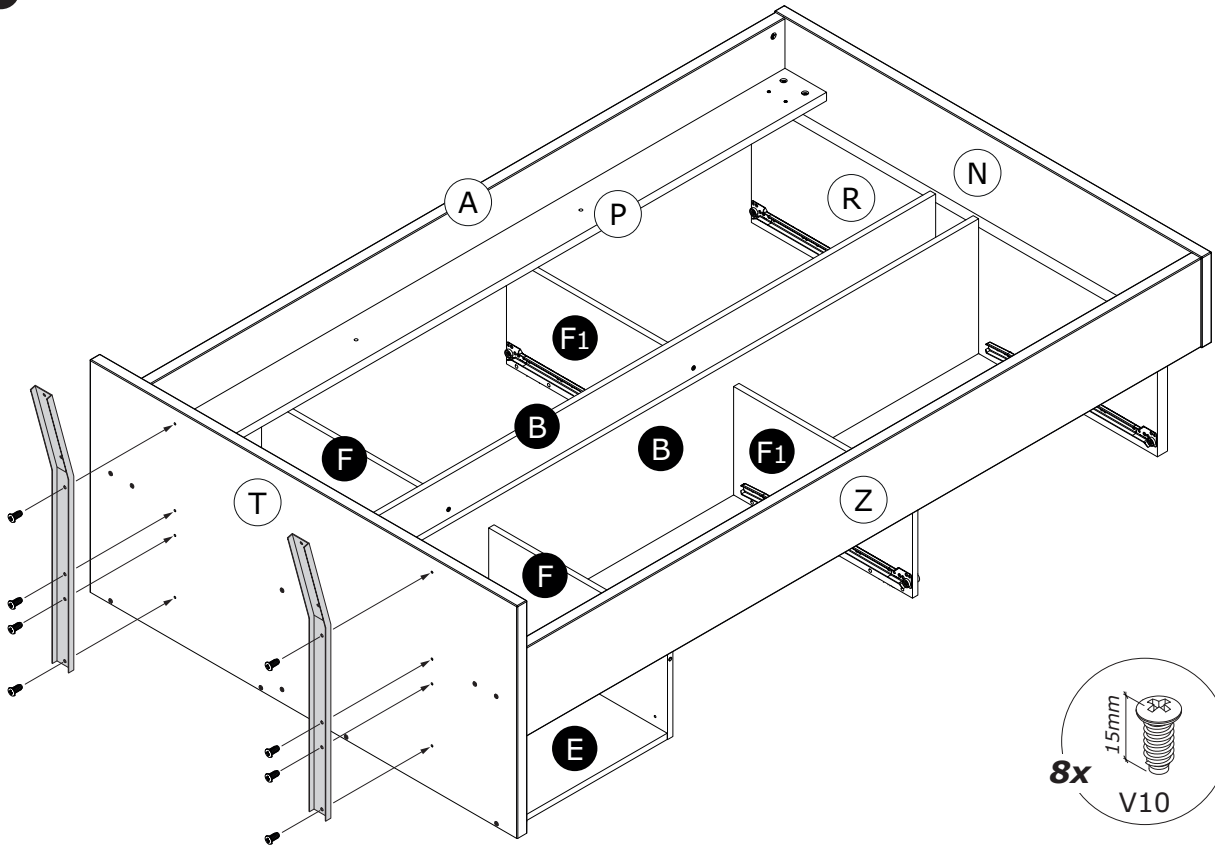
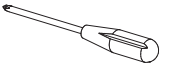
87

D



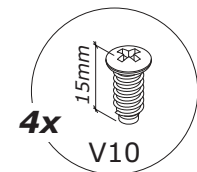
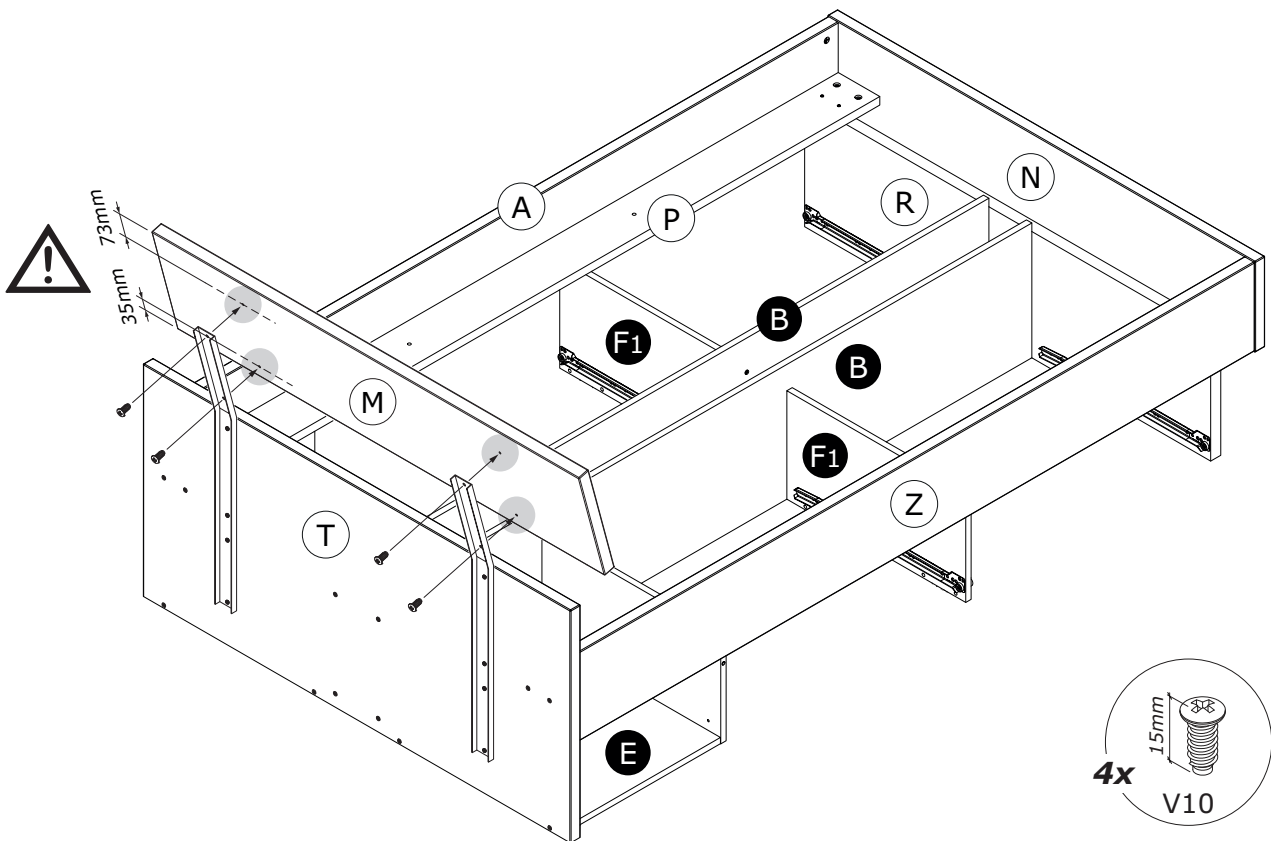
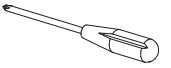
88

D

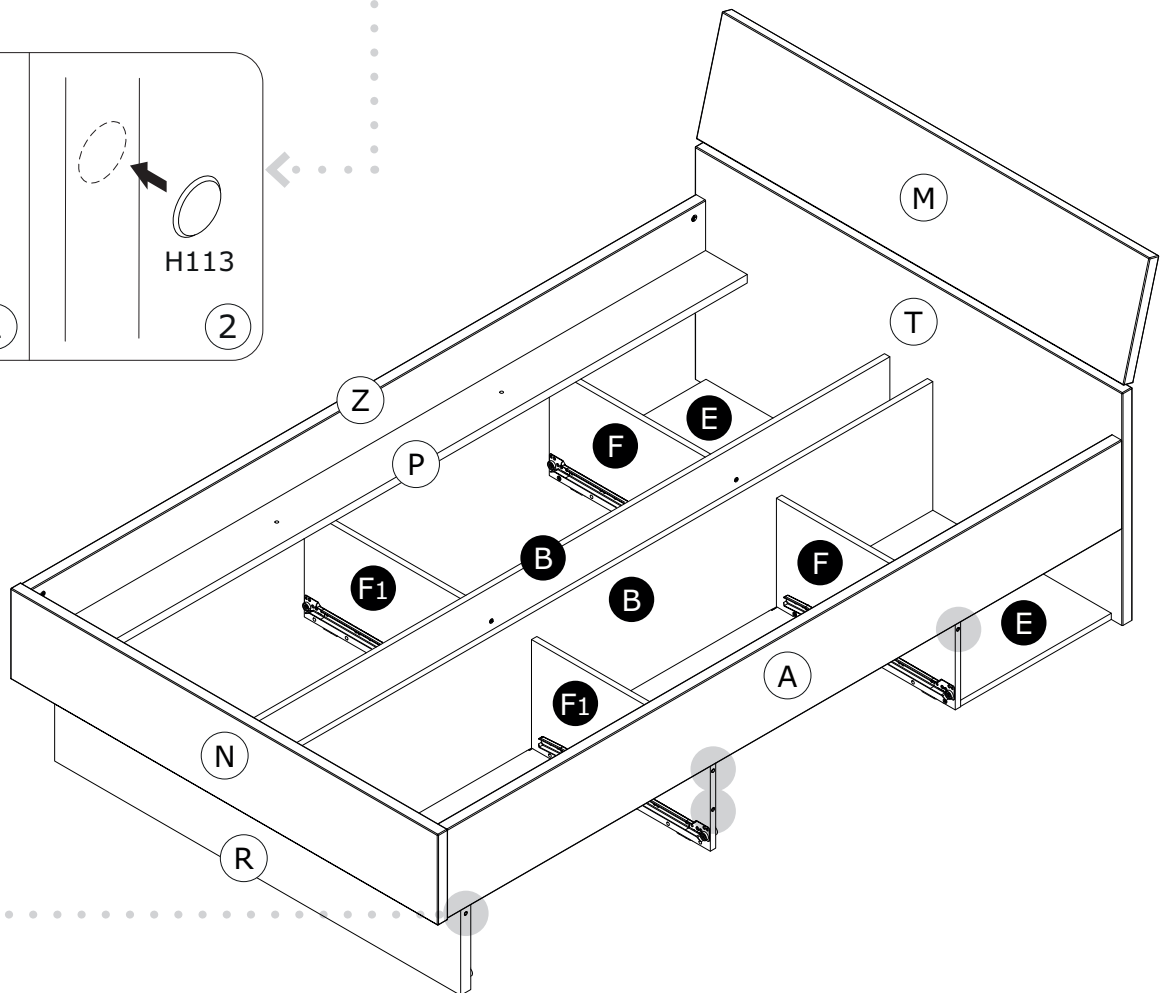
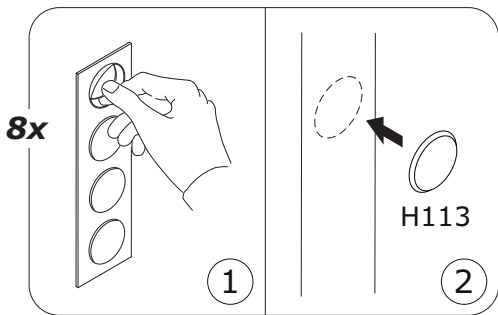
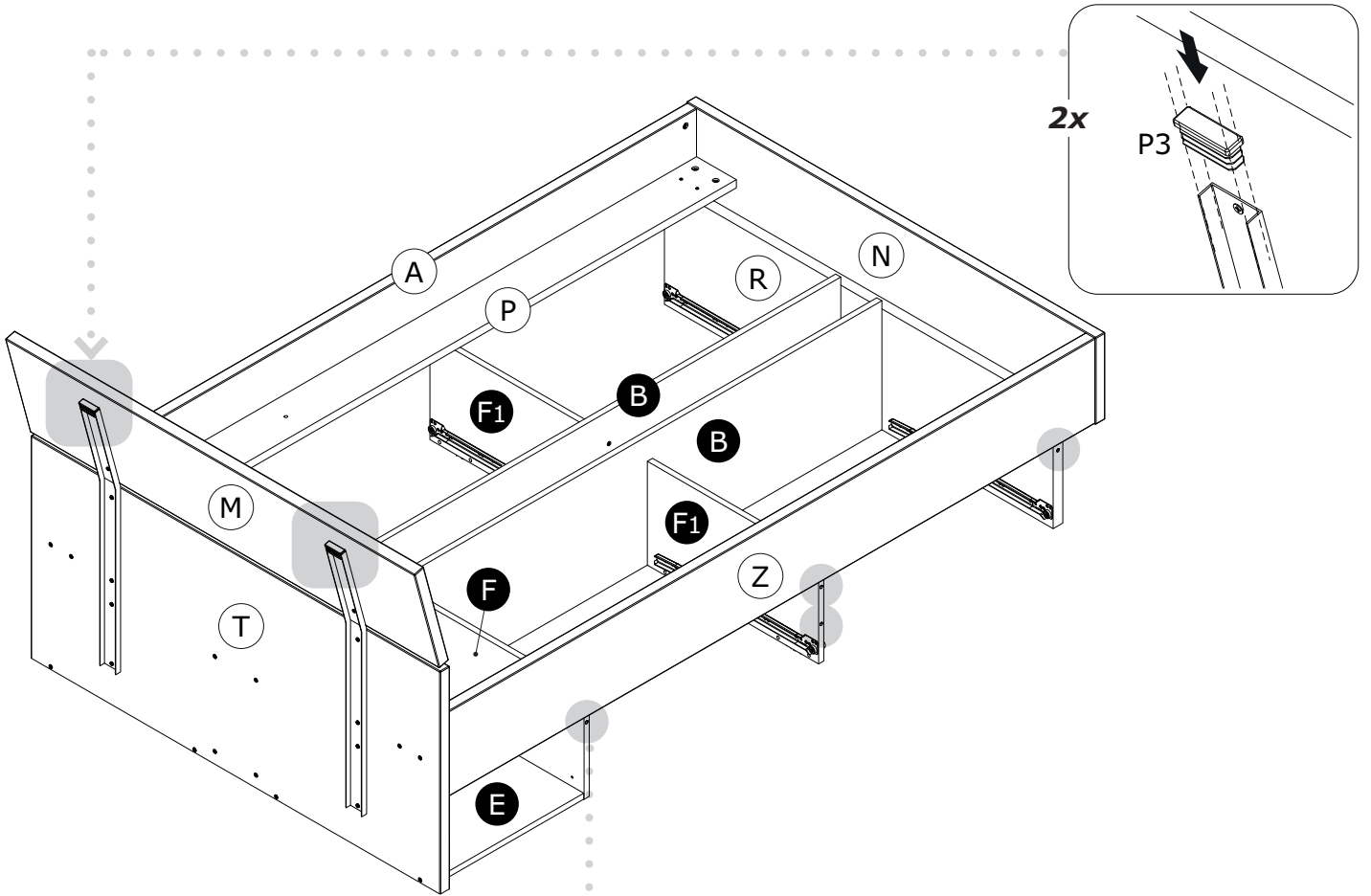
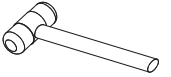


89

D



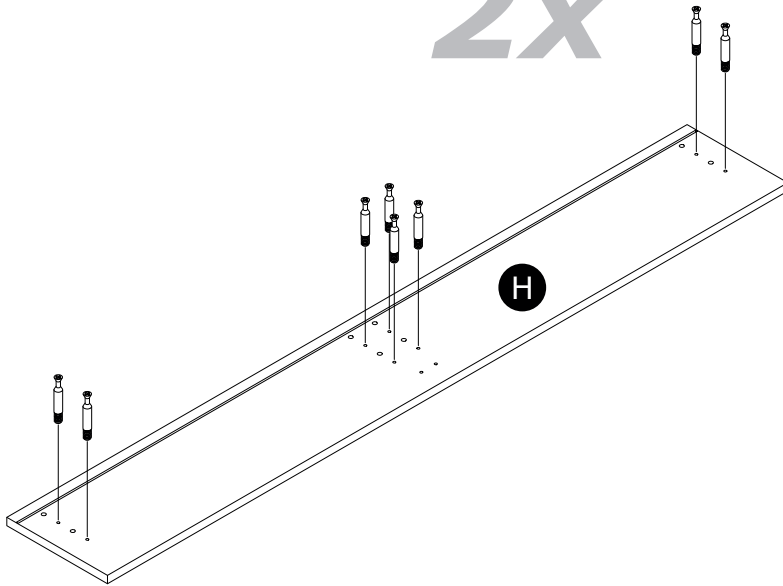
D



91

D

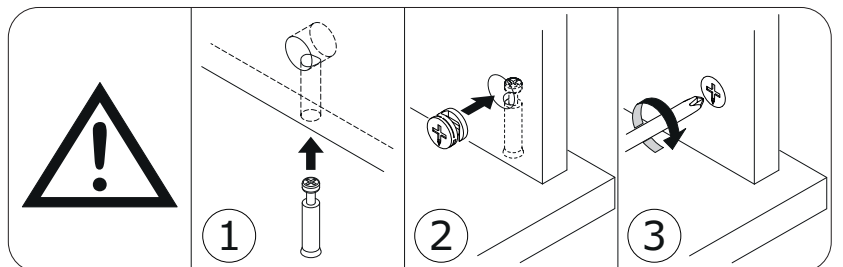
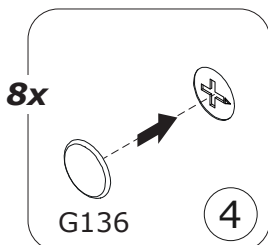
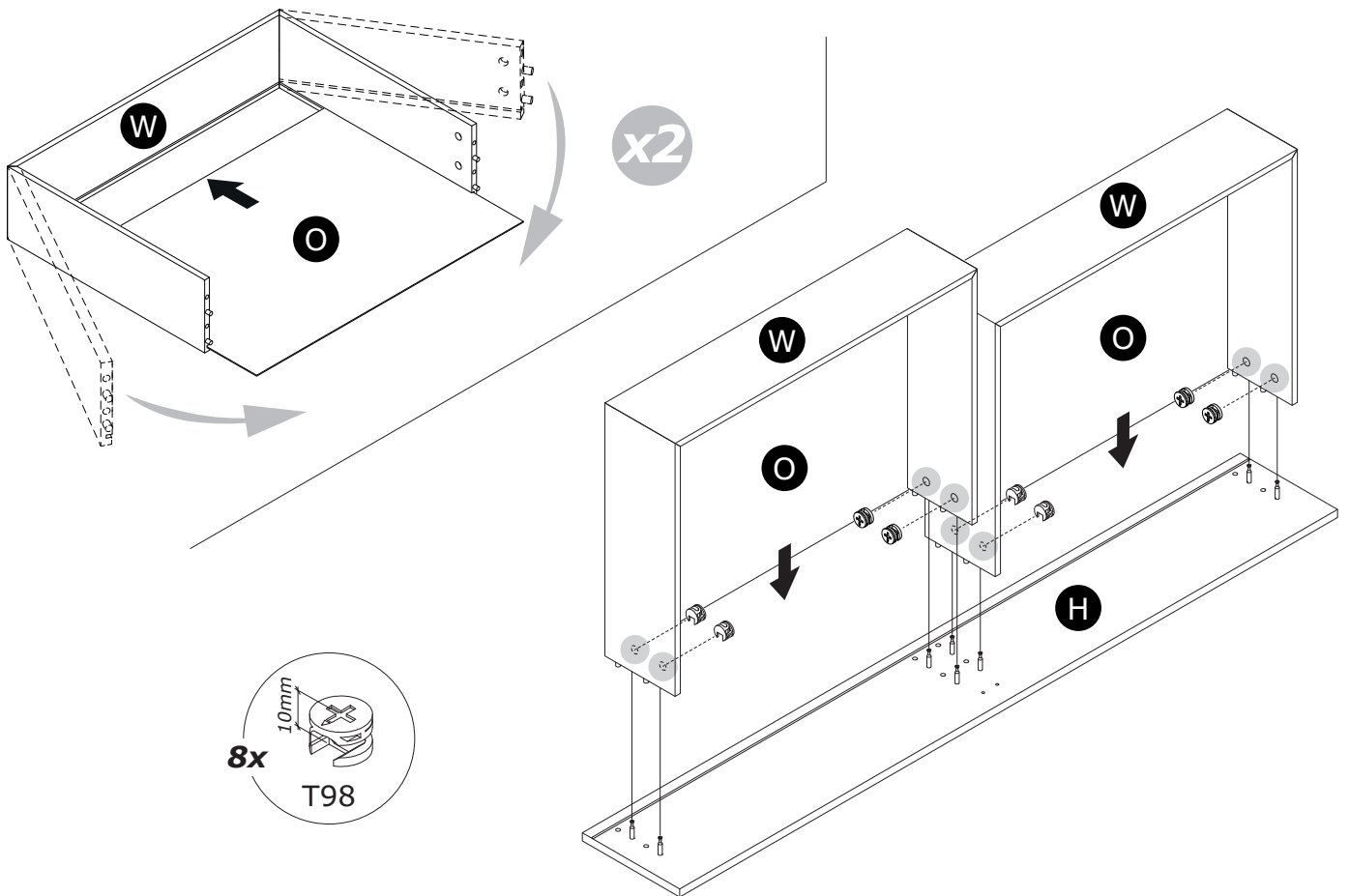
2x



92

D

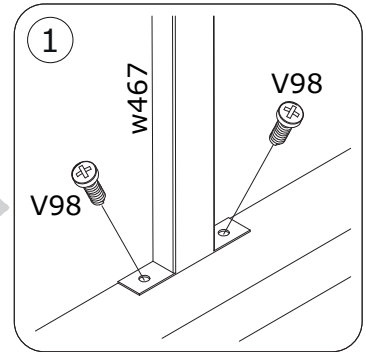
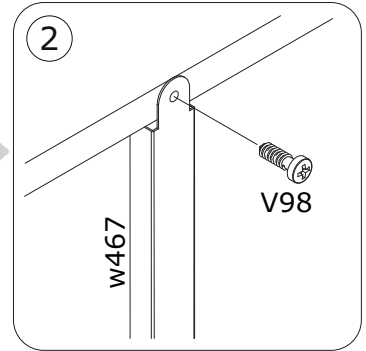
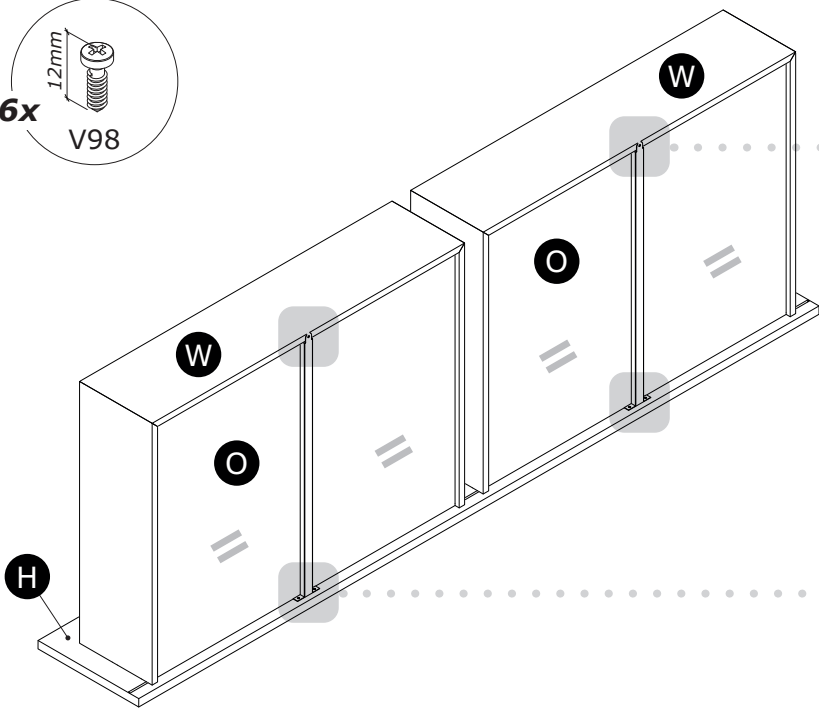
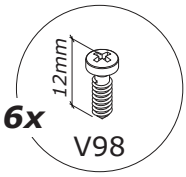
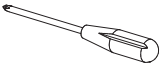
2x



93

D

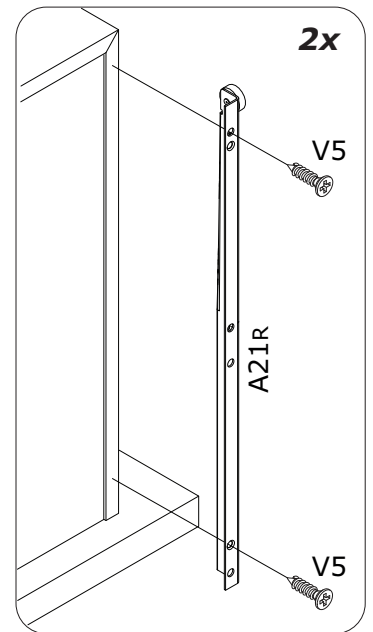
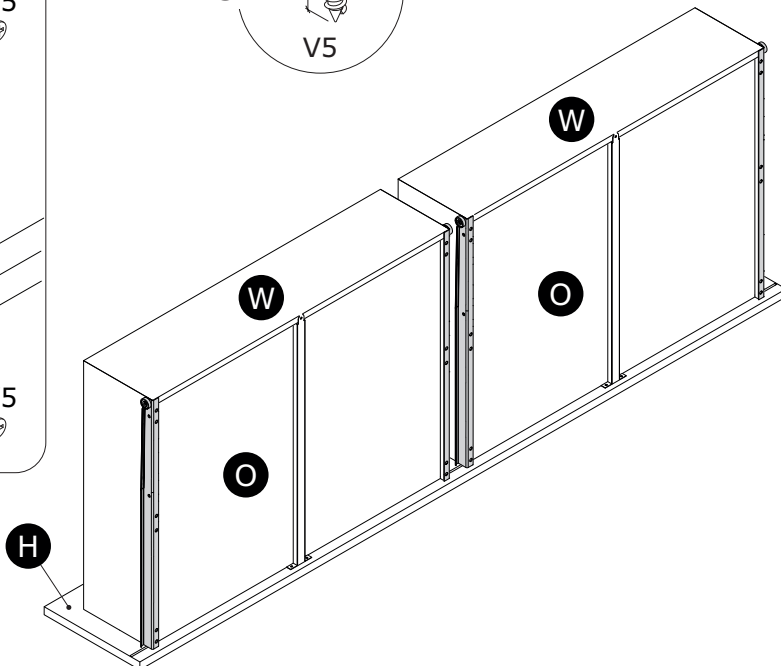
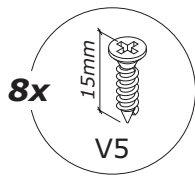
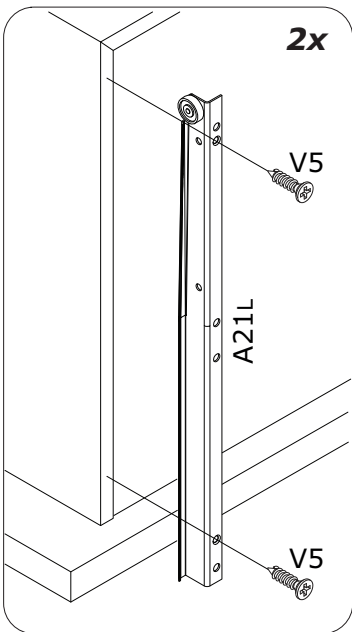
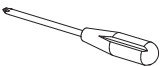
2x



94

D

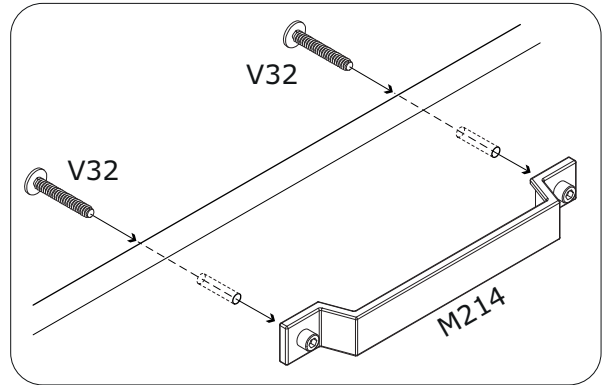
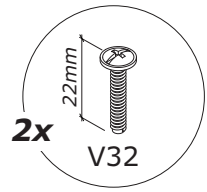
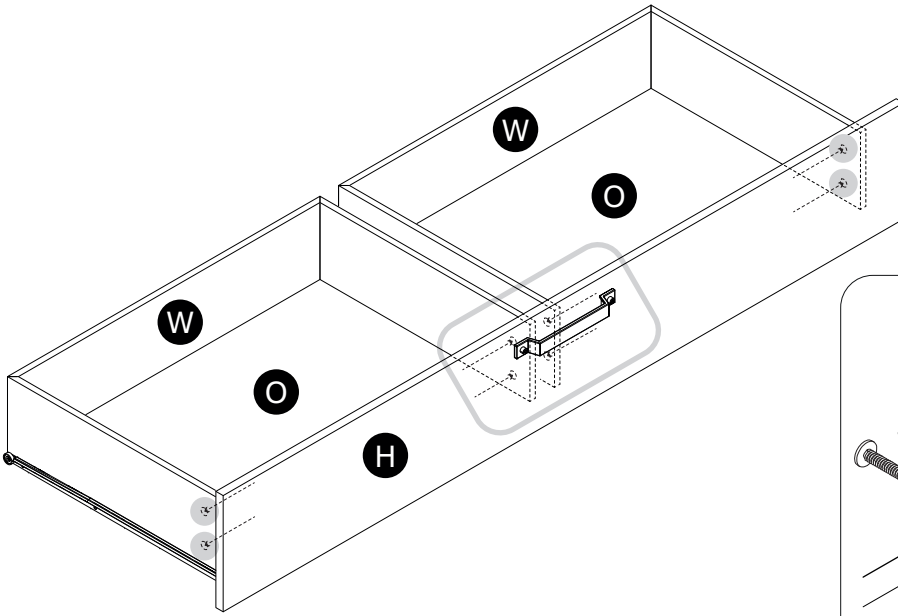
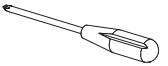
2x



95

D

2x



96

D

