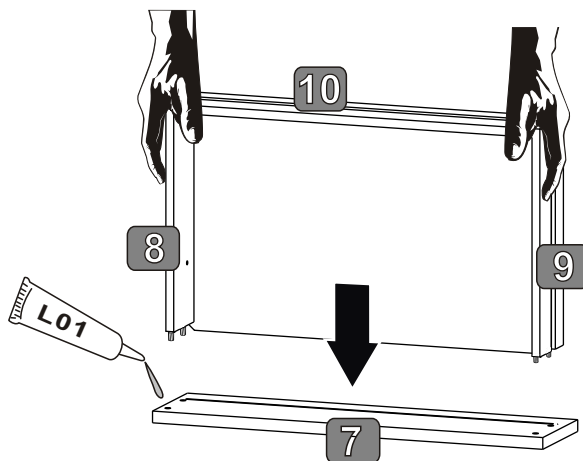
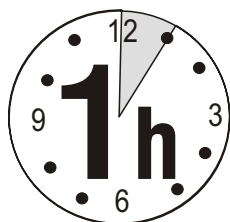
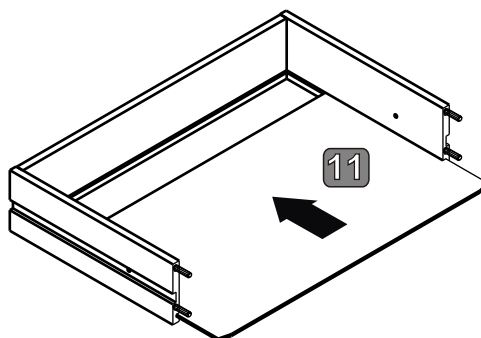
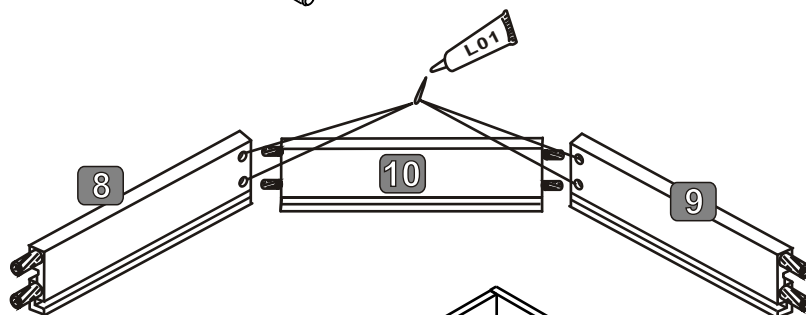
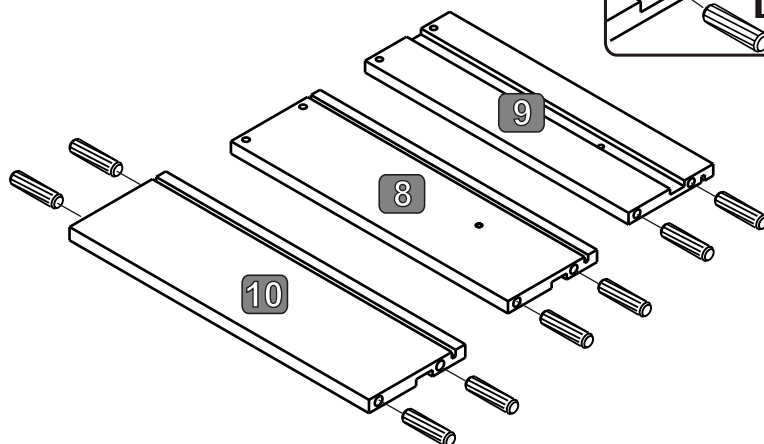
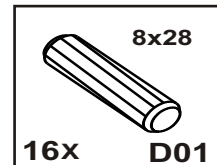
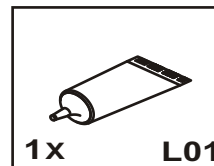
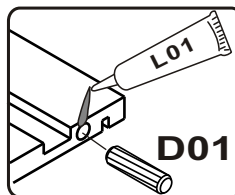
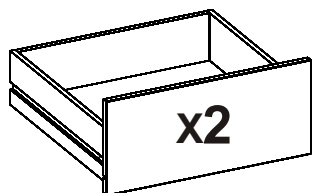
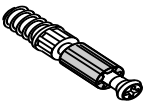

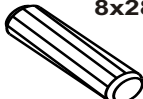

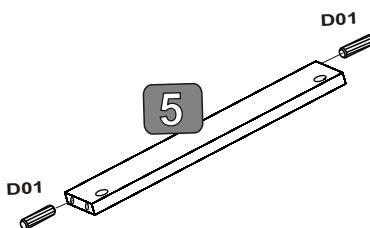
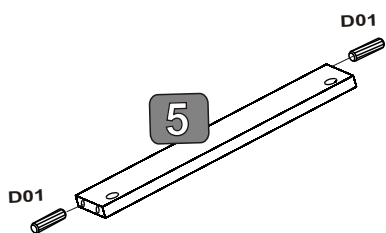
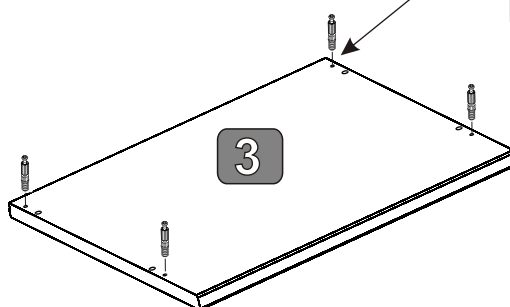
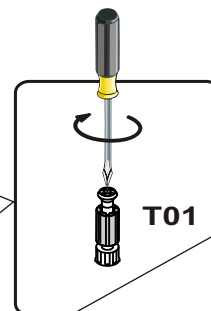
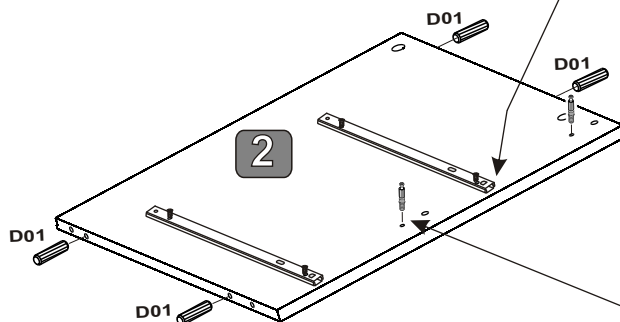
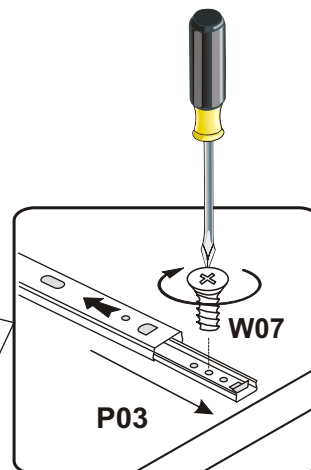
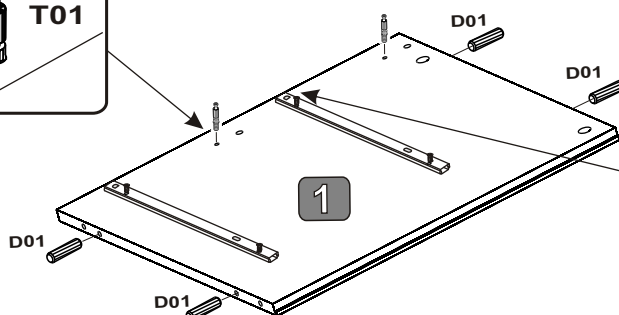
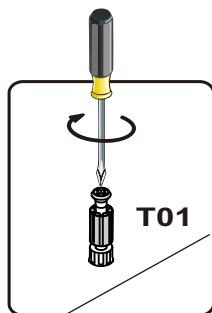


1

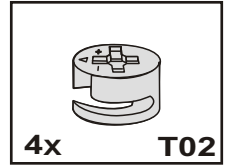
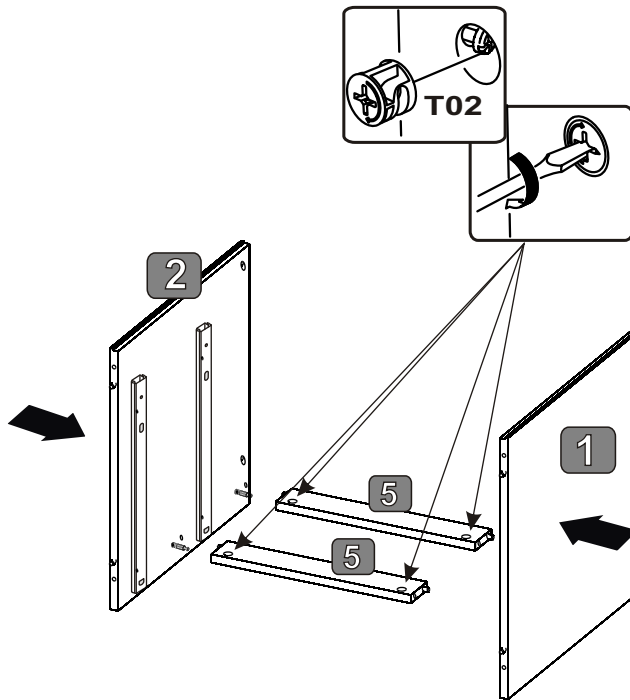


2

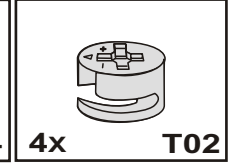
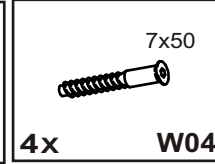
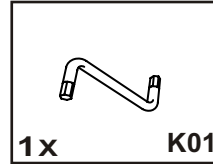
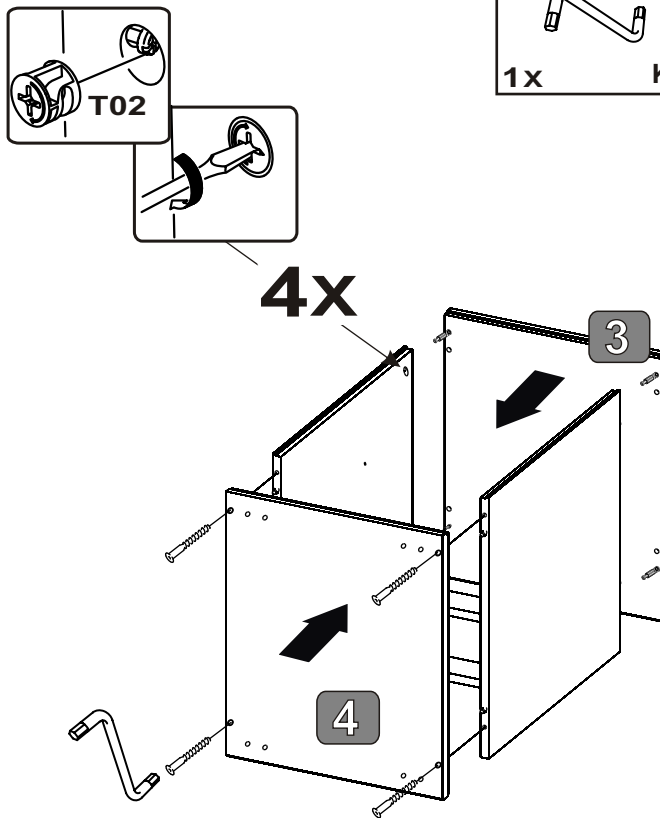
 8x T01	 4x P03	 8x28 12x D01	 6,3x8 8x W07
---	--	--	--



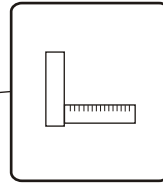
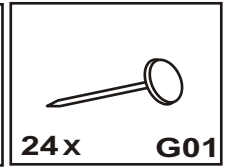
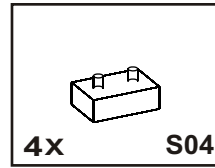
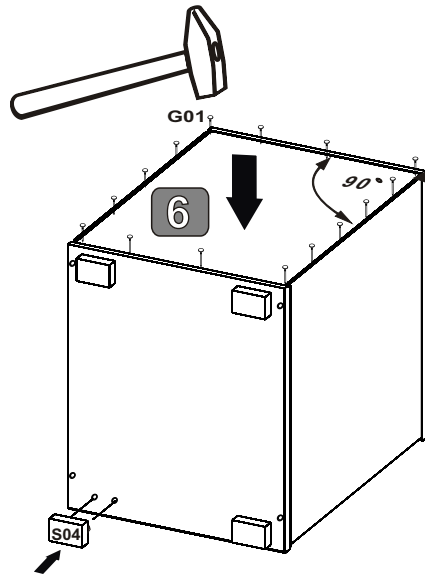
3



4



5



6

