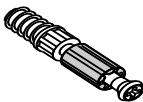

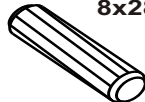



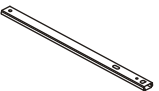
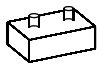


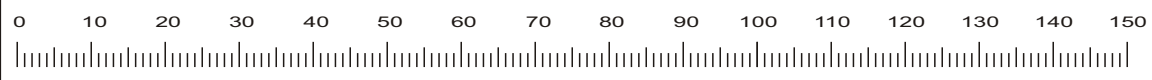
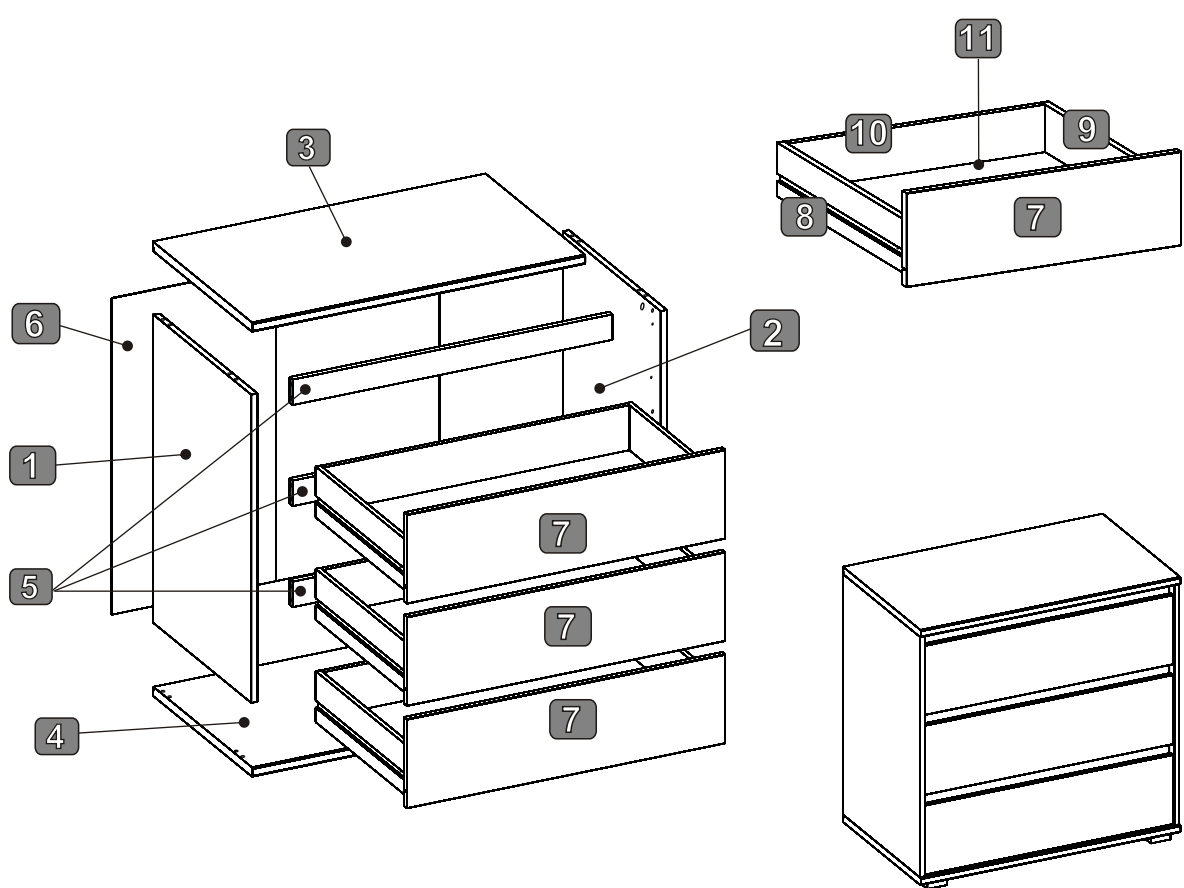
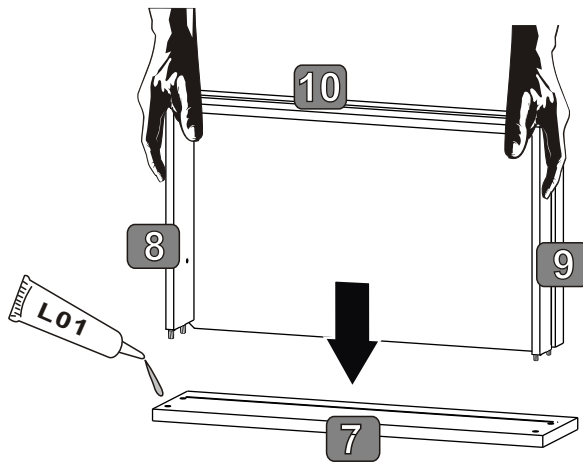
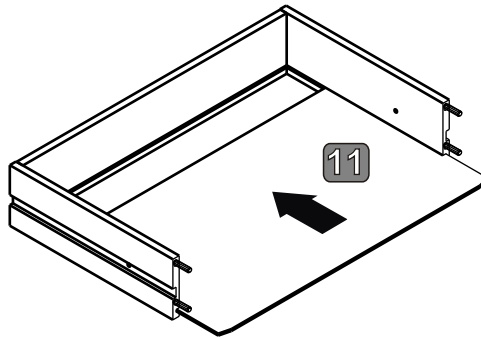
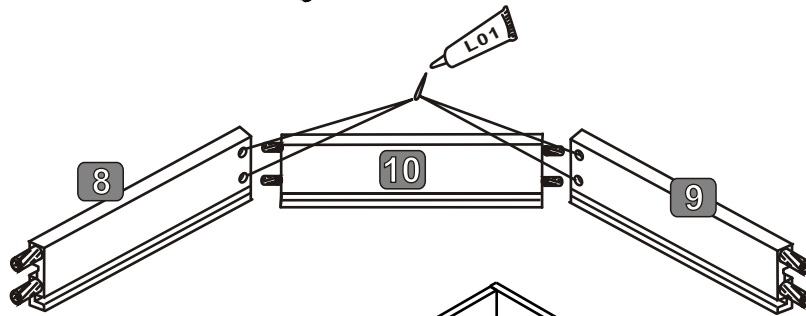
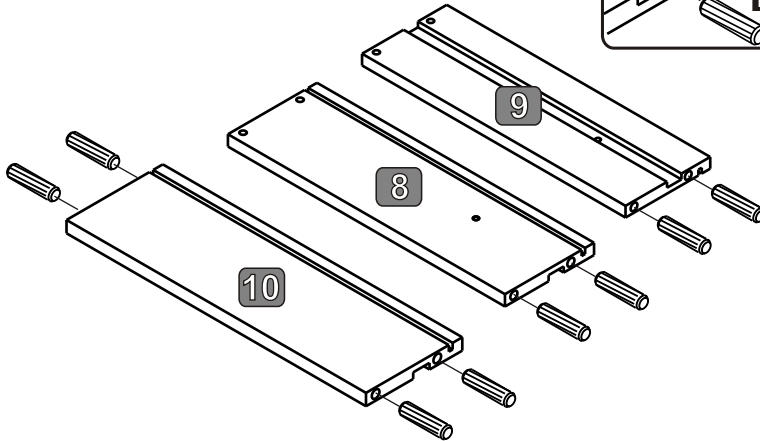
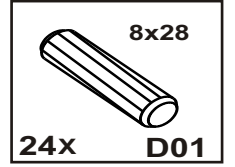
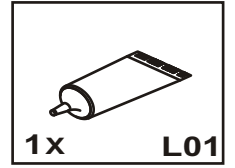
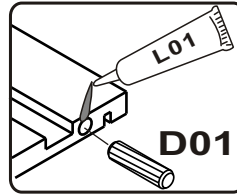
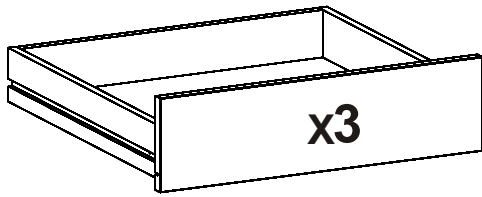
 10X T02	 10X T01	 30X G01	 8x28 38X D01	 4x10 6X X02	 6,3x8 12X W07
--	--	--	--	---	---

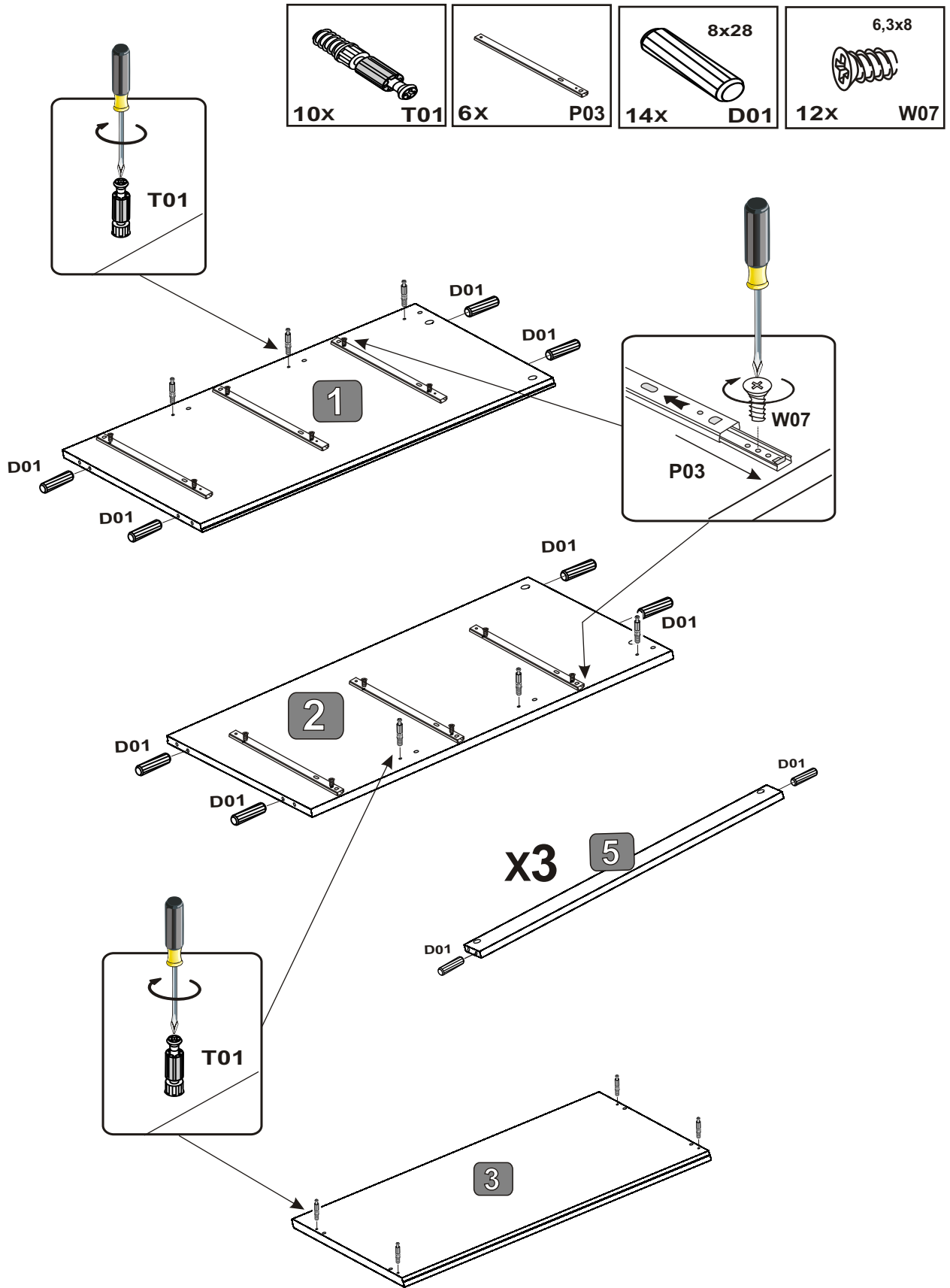
 1X L01	 6X P03	 4X S04	 1X K01	 7x50 4X W04
---	---	---	---	---



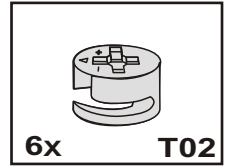
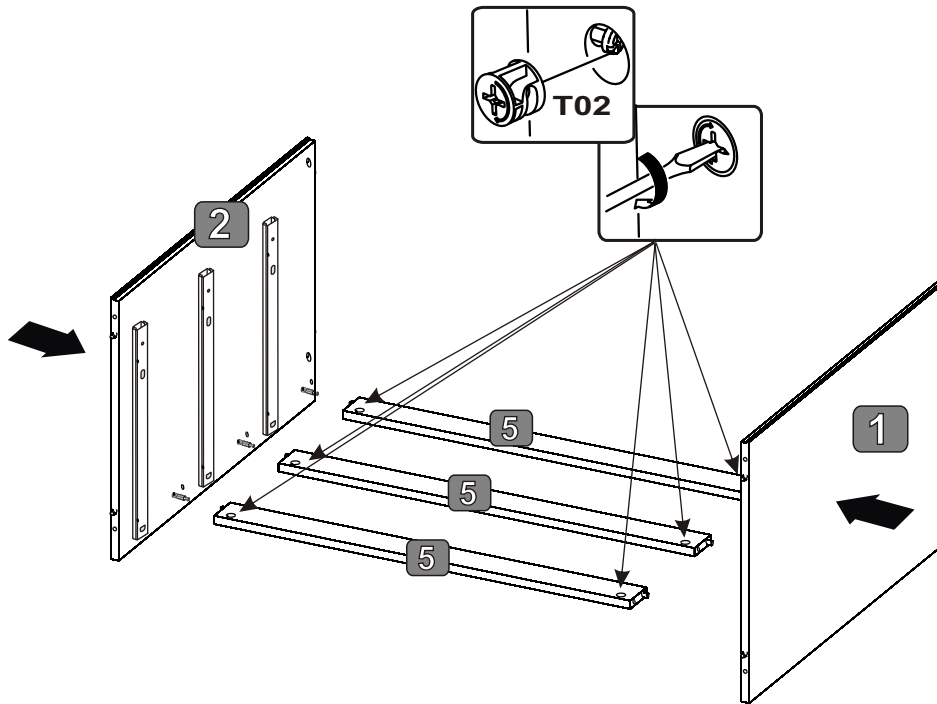
# 1



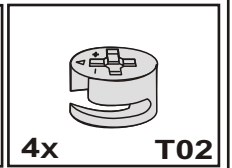
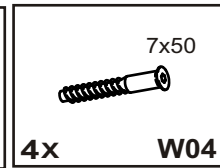
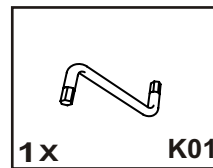
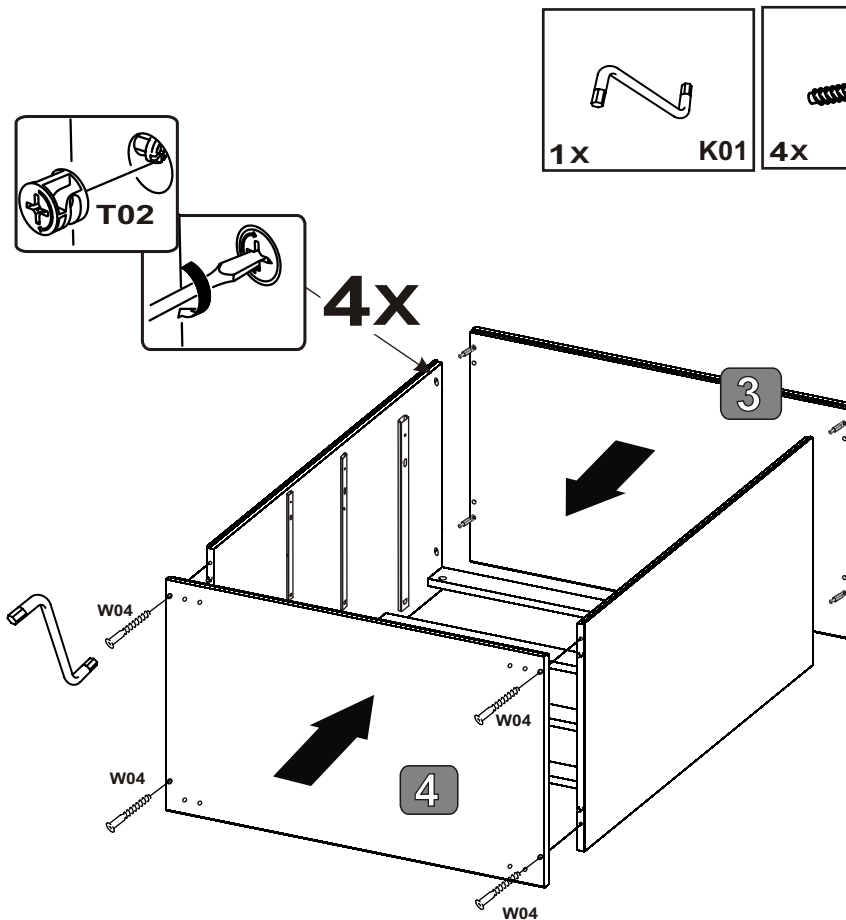
## 2



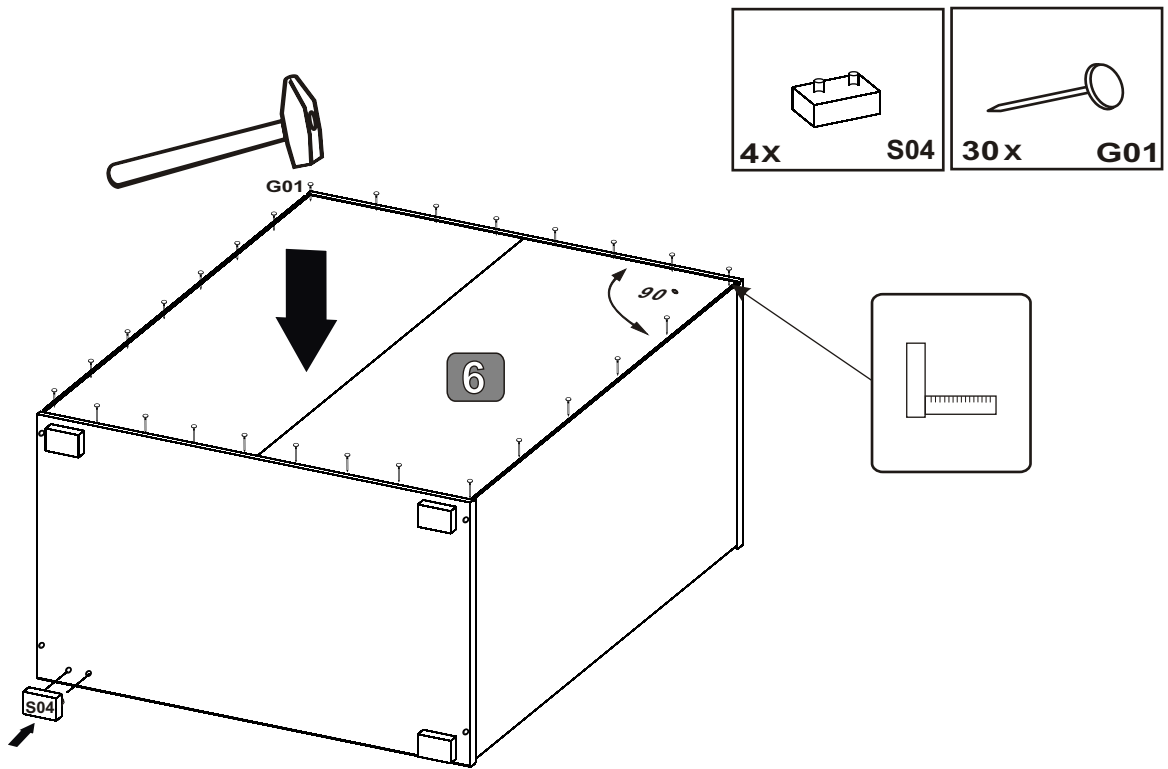
3



4



5



6

