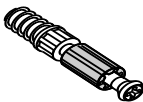

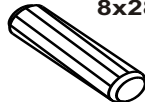


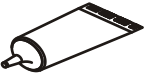
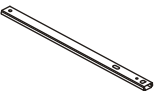
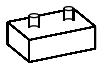


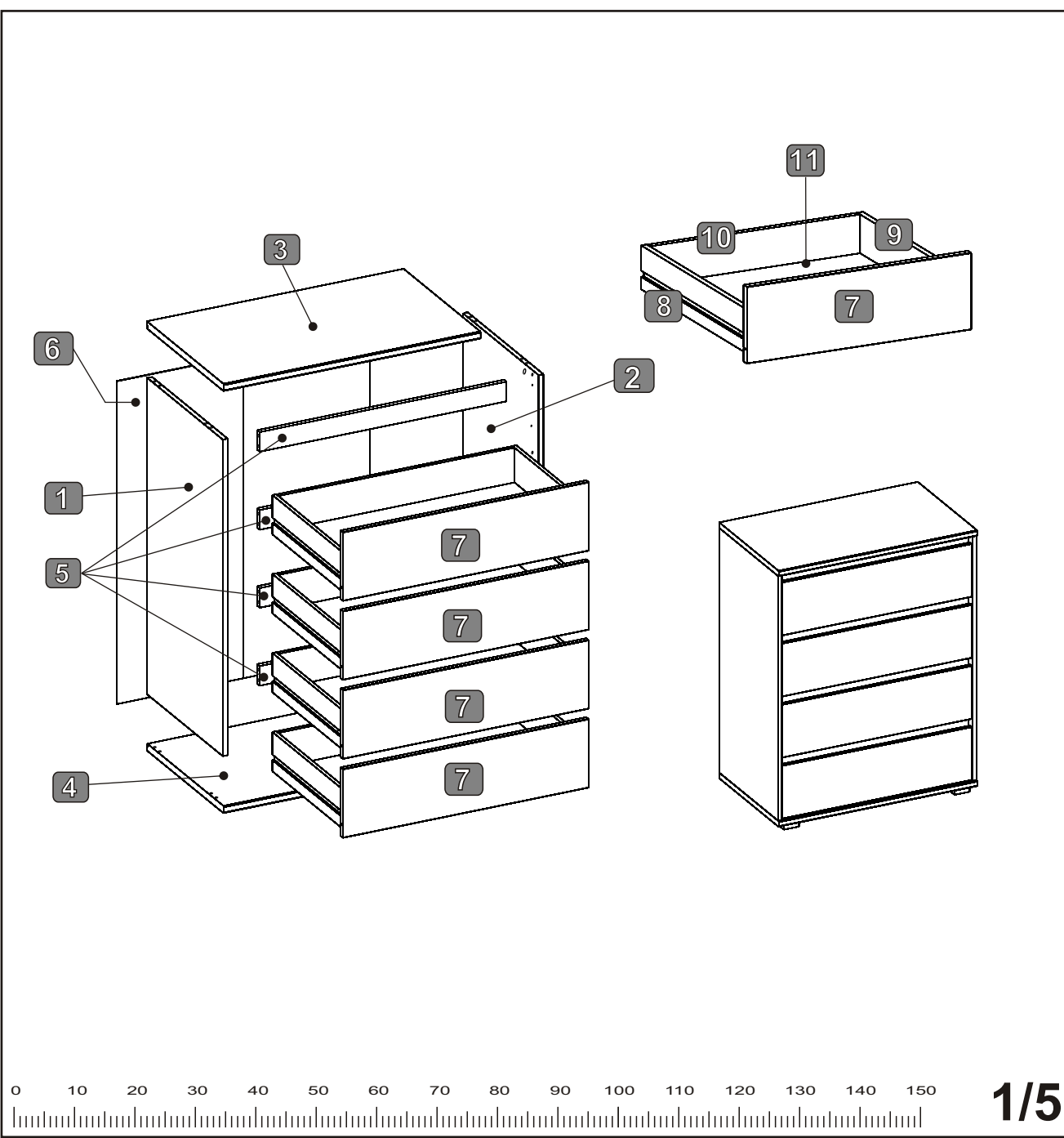
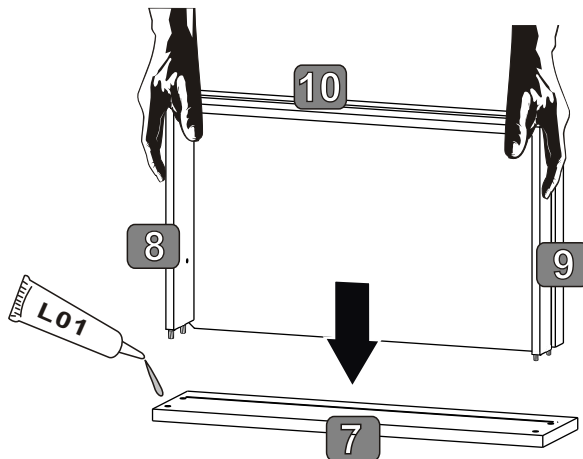
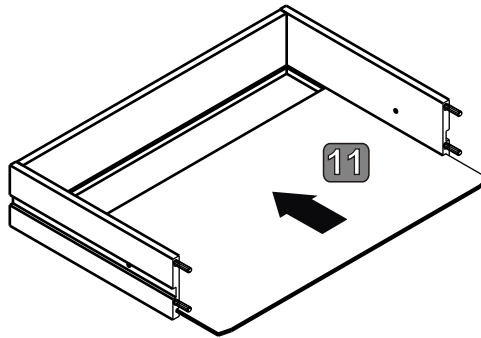
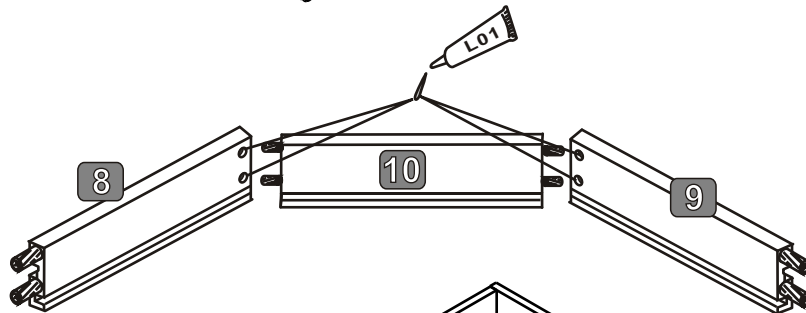
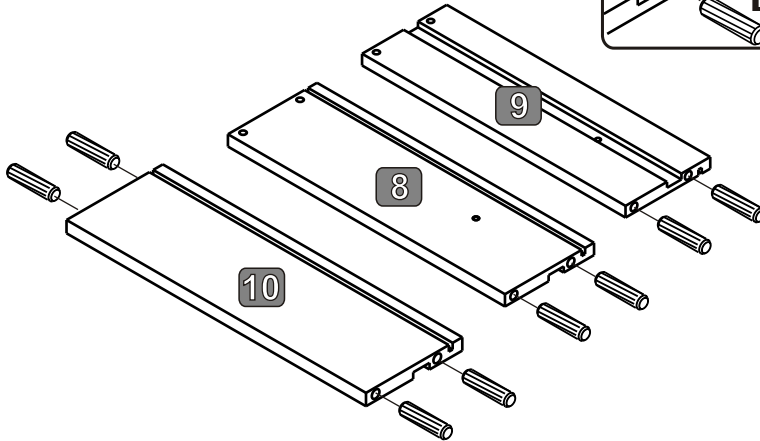
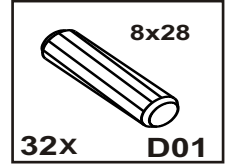
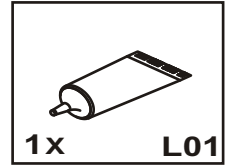
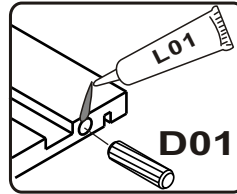
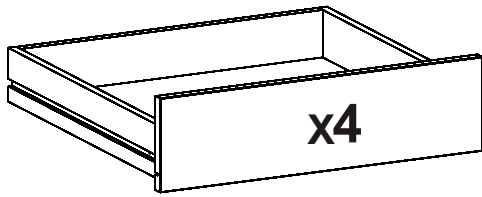
 12x T02	 12x T01	 24x G01	 48x 8x28 D01	 8x 4x10 X02	 16x 6,3x8 W07
--	--	--	---	--	--

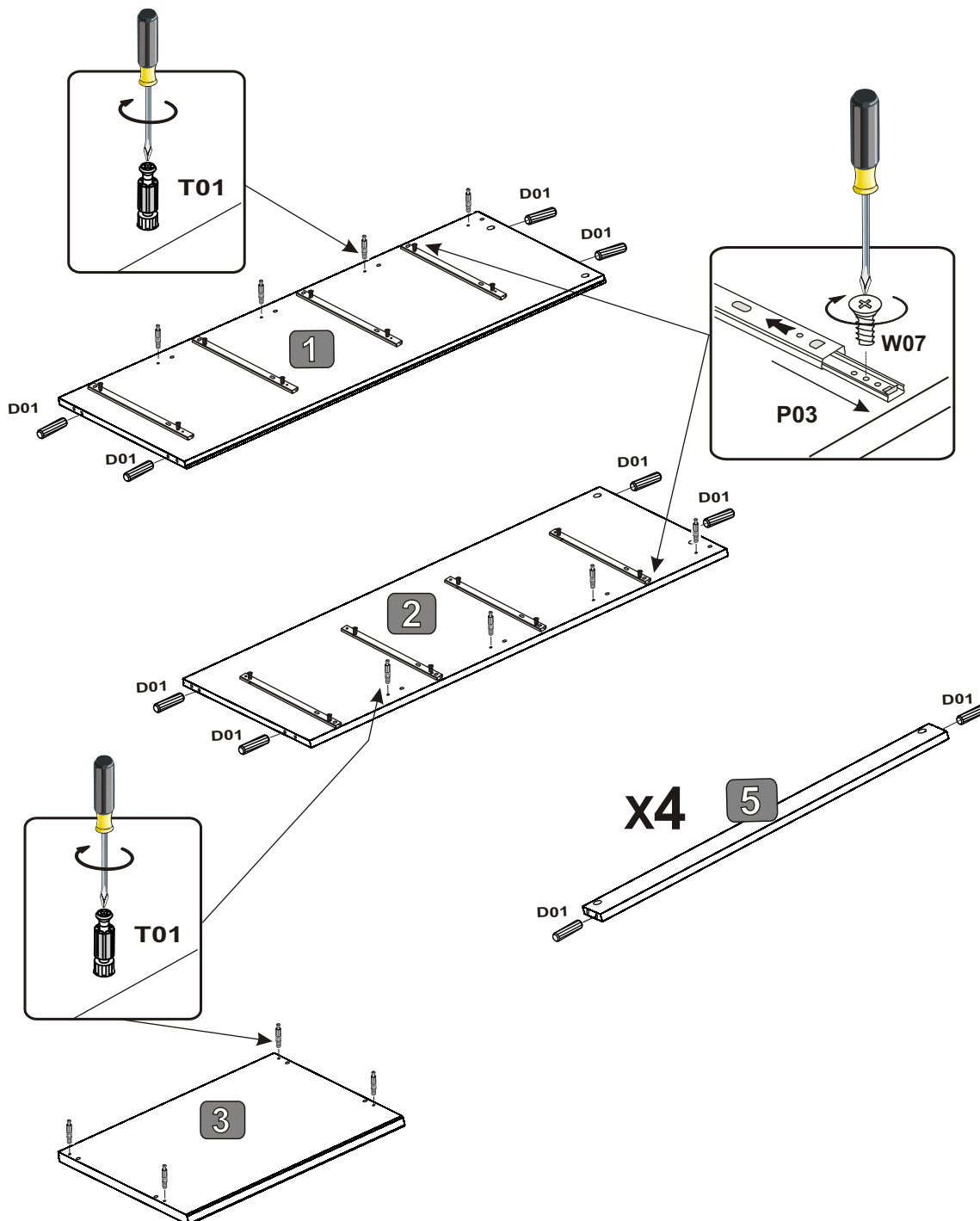
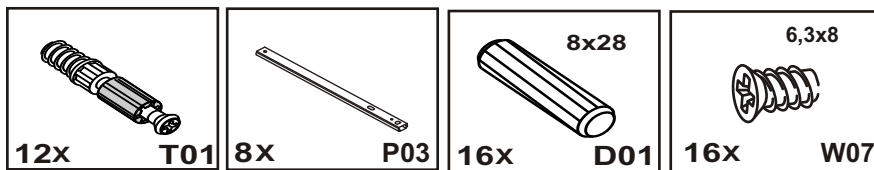
 1x L01	 8x P03	 4x S04	 1x K01	 4x 7x50 W04
---	---	---	---	--



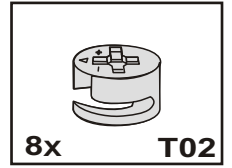
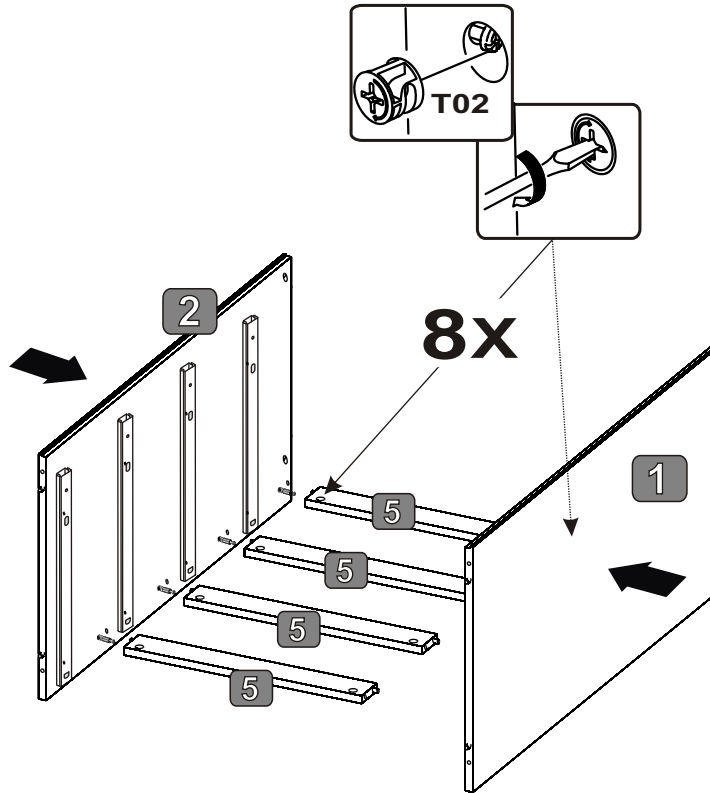
# 1



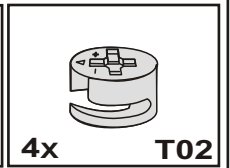
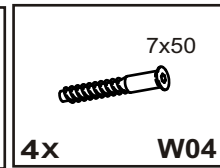
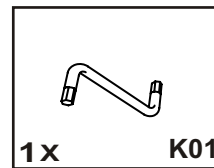
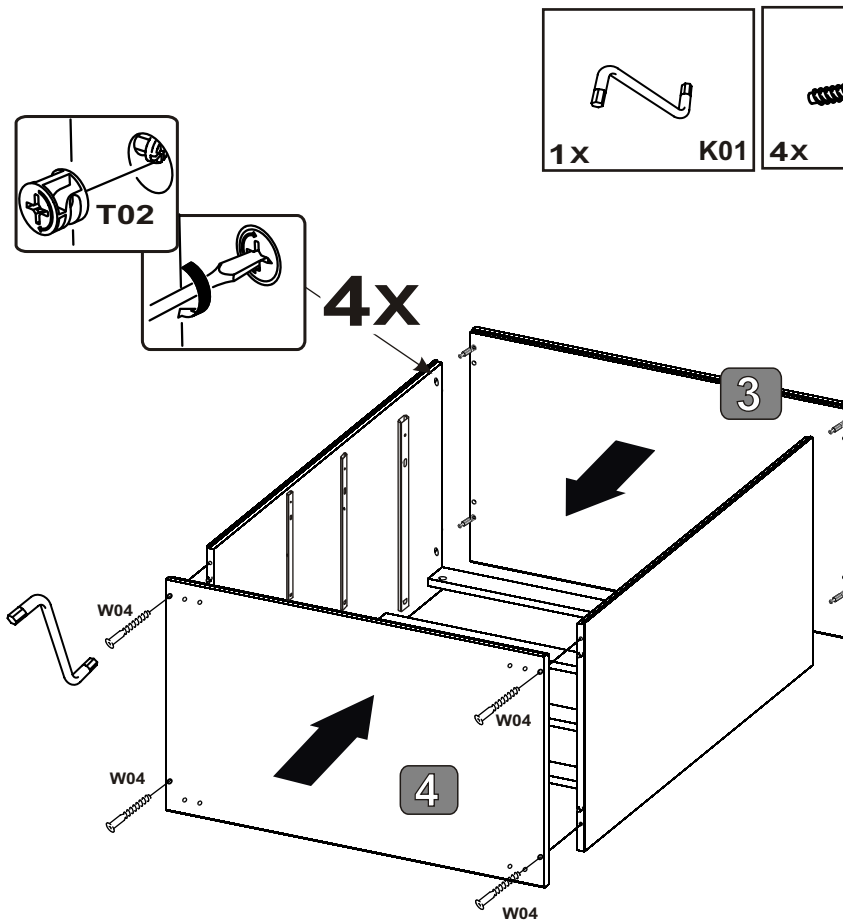
## 2



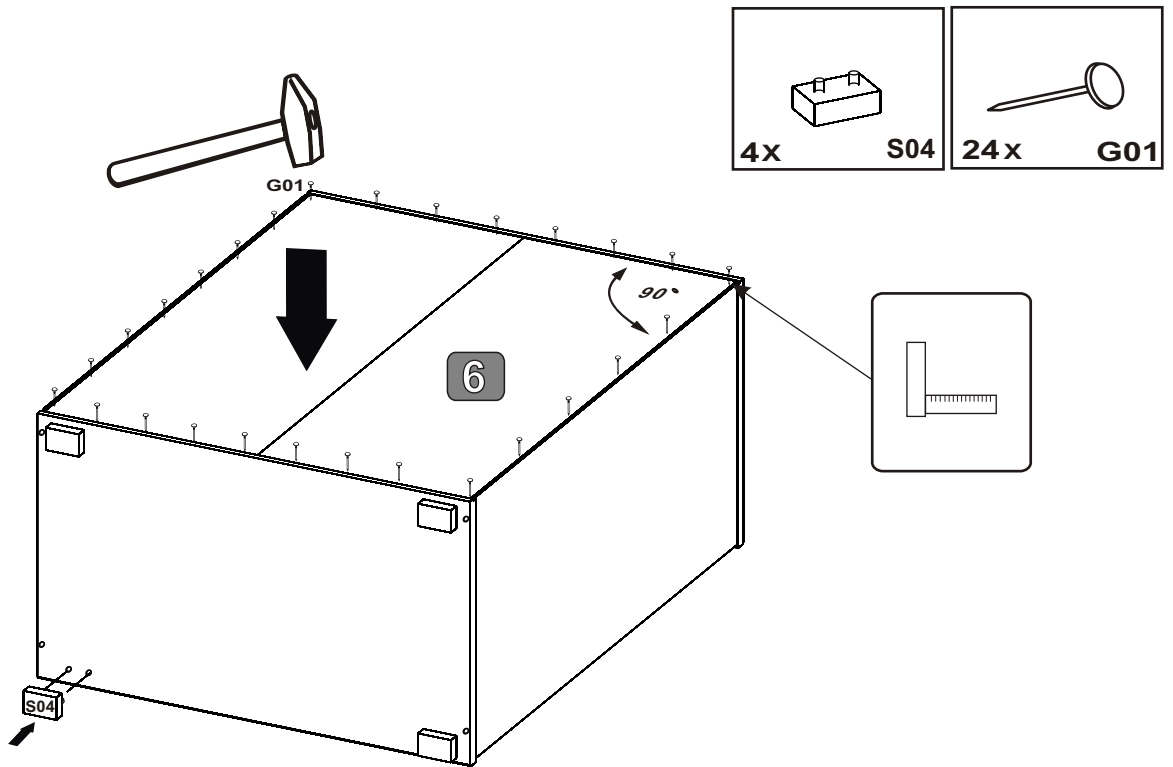
## 3



## 4



## 5



## 6

