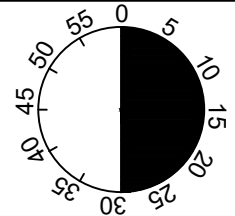
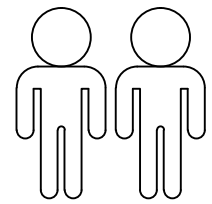
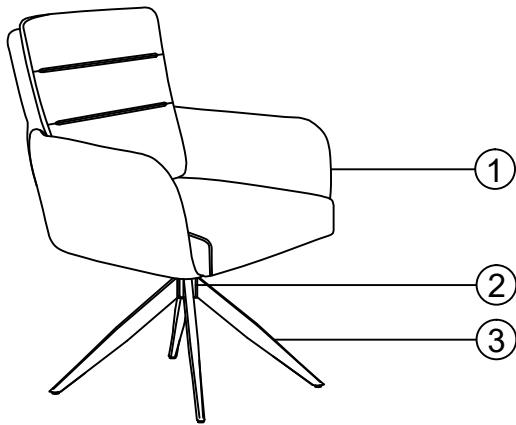
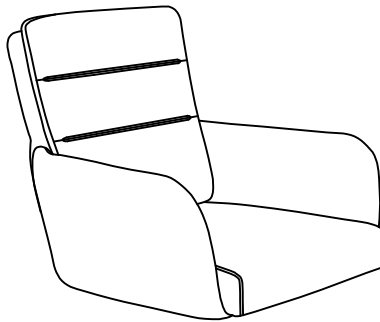


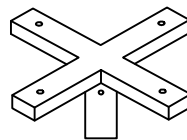
# Leandra



1

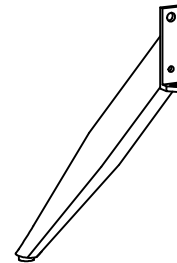


2

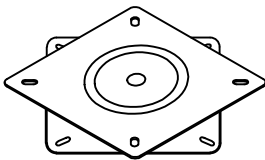


KP 120x120x85mm AR

3

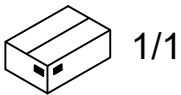


4



DT 180° AR 195X195mm

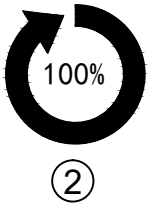
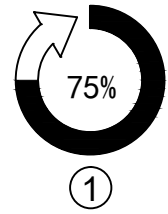
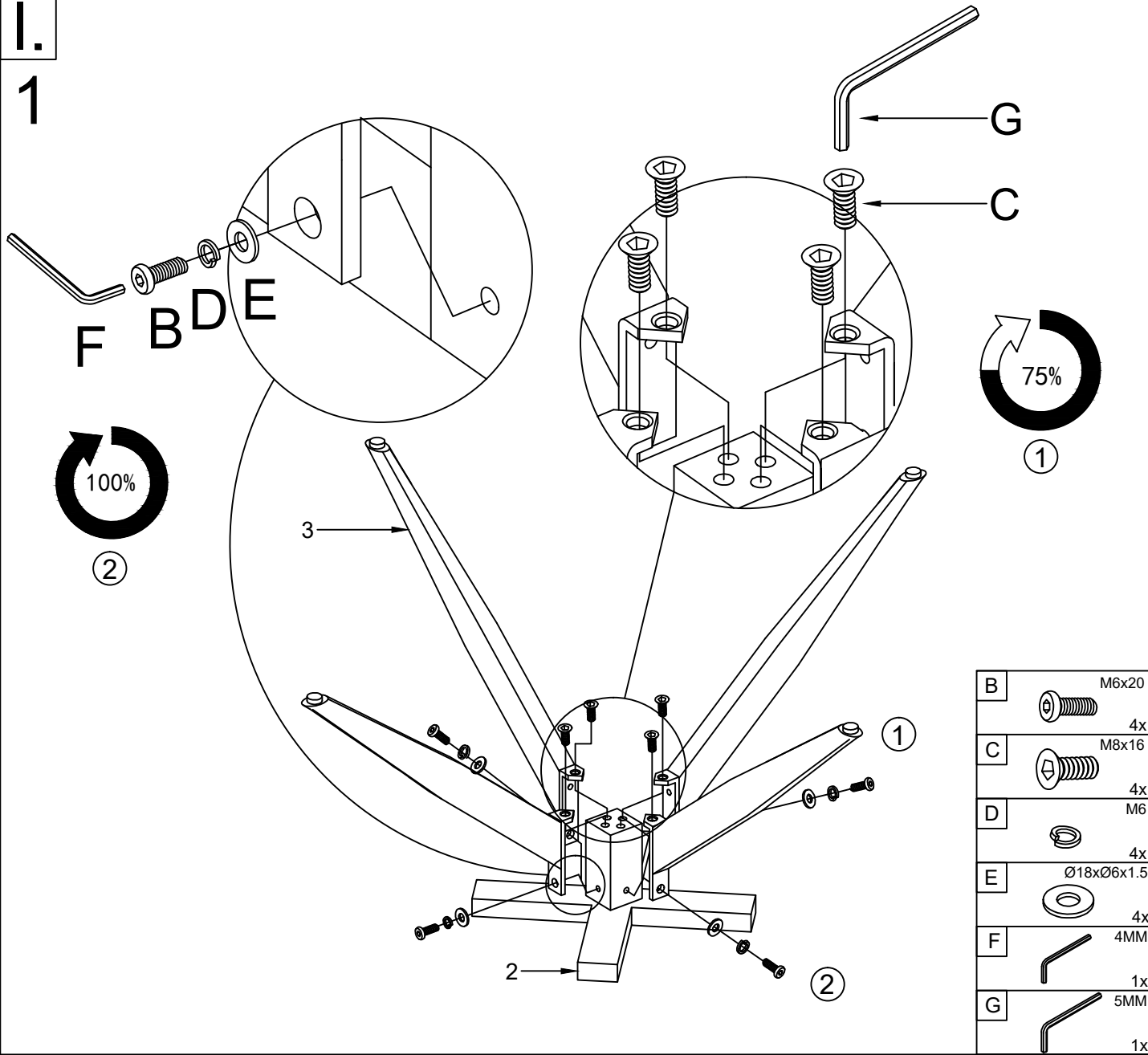
|   |    |
|---|----|
| 1 | 1x |
| 2 | 1x |
| 3 | 4x |
| 4 | 1x |



|          |       |          |            |          |       |          |    |          |            |          |     |
|----------|-------|----------|------------|----------|-------|----------|----|----------|------------|----------|-----|
| <b>A</b> | M6X13 | <b>B</b> | M6X20      | <b>C</b> | M8X16 | <b>D</b> | M6 | <b>E</b> | Ø18xØ6x1.5 | <b>F</b> | 4MM |
|          |       |          |            |          |       |          |    |          |            |          |     |
| 4x       |       | 8x       |            | 4x       |       | 4x       |    | 12x      |            | 1x       |     |
| <b>G</b> | 5MM   | <b>H</b> | Ø17xØ6.5x4 |          |       |          |    |          |            |          |     |
|          |       |          |            |          |       |          |    |          |            |          |     |
| 1x       |       | 2x       |            |          |       |          |    |          |            |          |     |

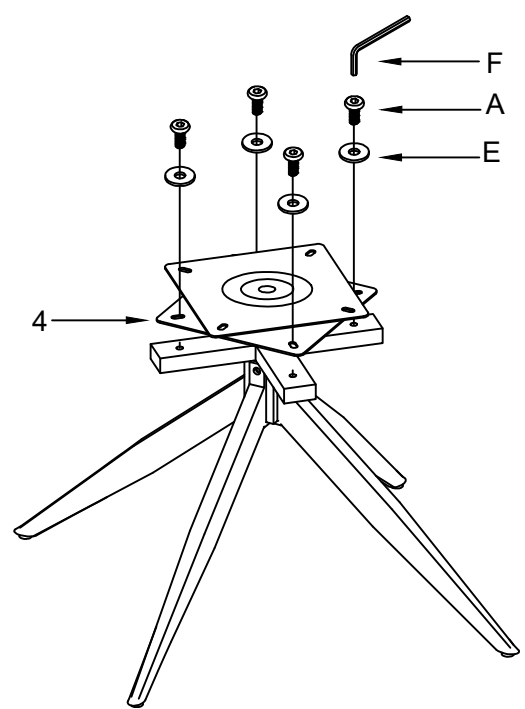
I.

1



|   |            |
|---|------------|
| B | M6x20      |
|   | 4x         |
| C | M8x16      |
|   | 4x         |
| D | M6         |
|   | 4x         |
| E | Ø18xØ6x1.5 |
|   | 4x         |
| F | 4MM        |
|   | 1x         |
| G | 5MM        |
|   | 1x         |

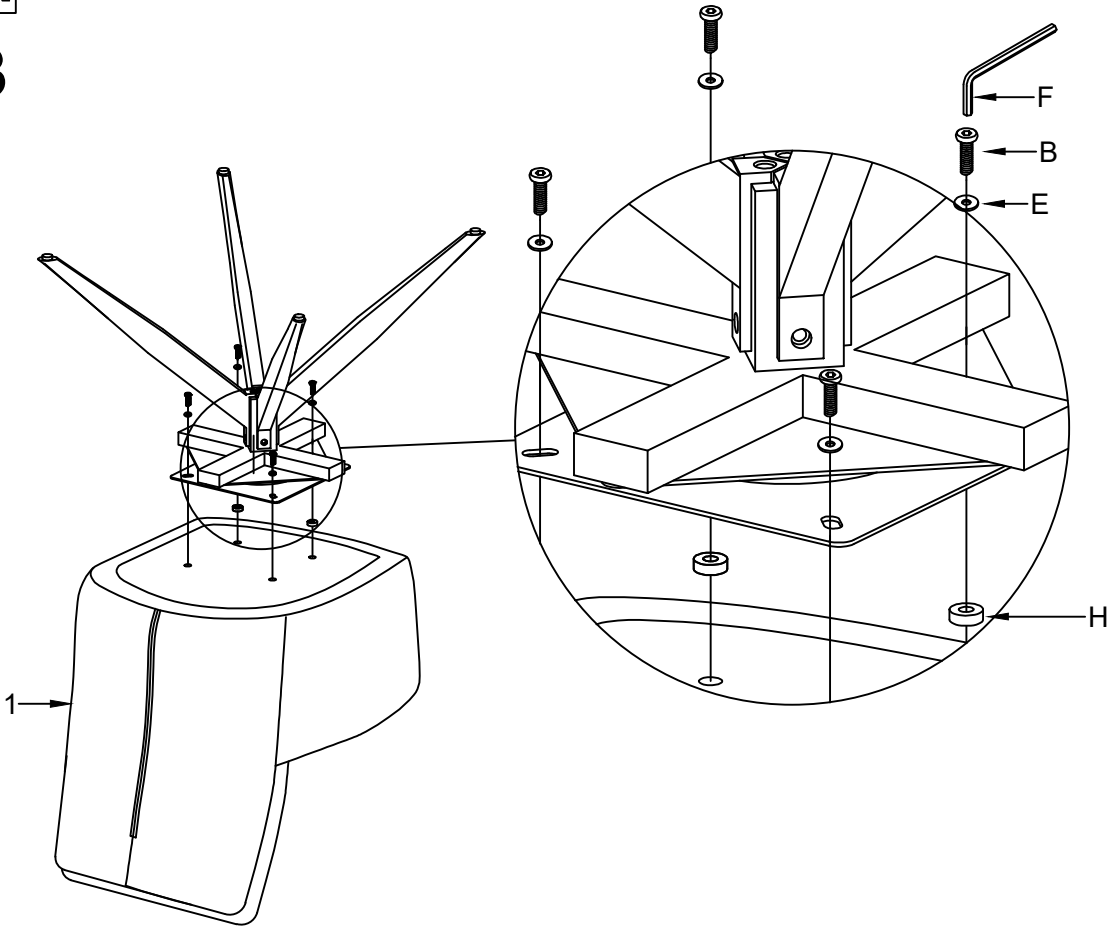
2



|   |            |
|---|------------|
| A | M6x13      |
|   | 4x         |
| E | Ø18xØ6x1.5 |
|   | 4x         |
| F | 4MM        |
|   | 1x         |
|   | 100%       |

II.

3



|   |            |  |    |
|---|------------|--|----|
| B | M6X20      |  | 4x |
| E | Ø18xØ6x1.5 |  | 4x |
| F | 4MM        |  | 1x |
| H | Ø17xØ6.5x4 |  | 2x |
|   |            |  |    |

4



|   |     |  |    |
|---|-----|--|----|
| F | 4MM |  | 1x |
| G | 5MM |  | 1x |
|   |     |  |    |



LE TRI  
+ FACILE



Séparez les éléments avant de trier