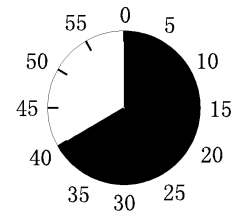
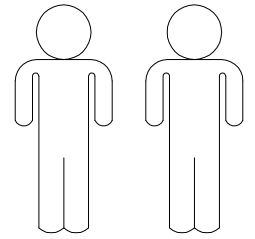
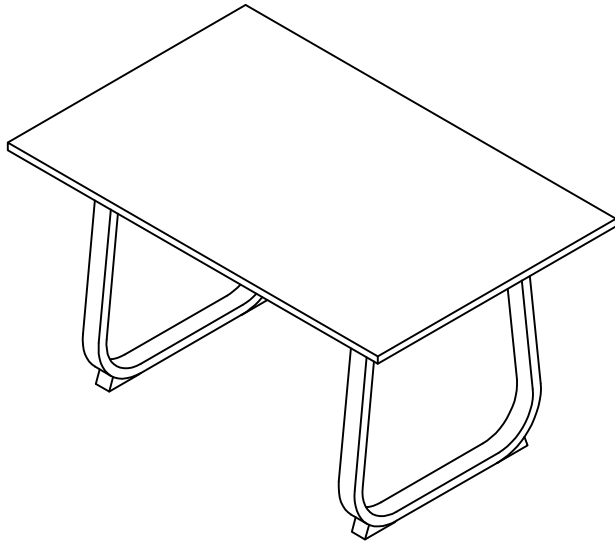


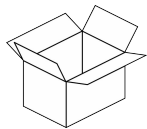
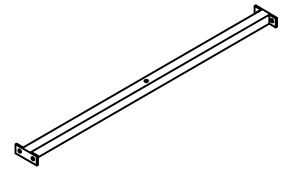
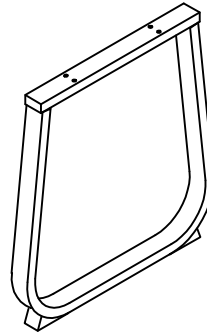
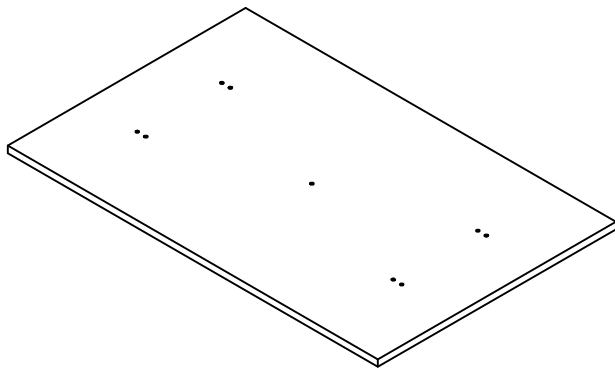
Luise



1

2

3



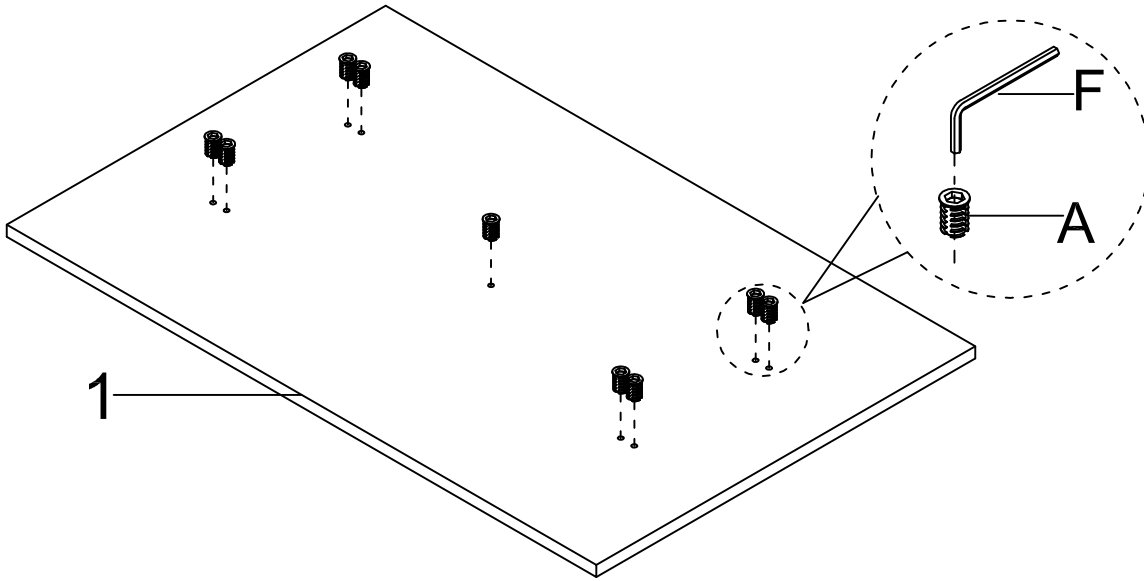
2/2

1	1x	1/2
2	2x	2/2
3	1x	2/2

A	M6*12	B	M6*40	C	M6*12	D	Ø18*Ø6*1.5	E	4mm
	9X		9X		4X		9X		1X
F	6mm								
	1X								

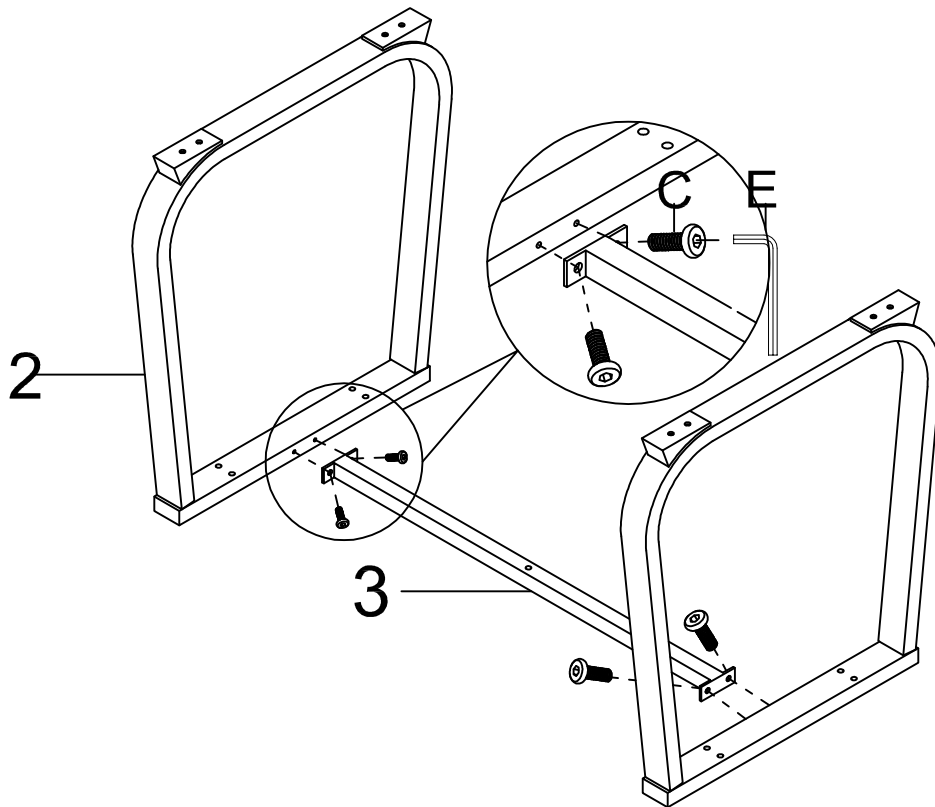
I.

1.



A	M6*12 9X
F	6mm 1X
100%	

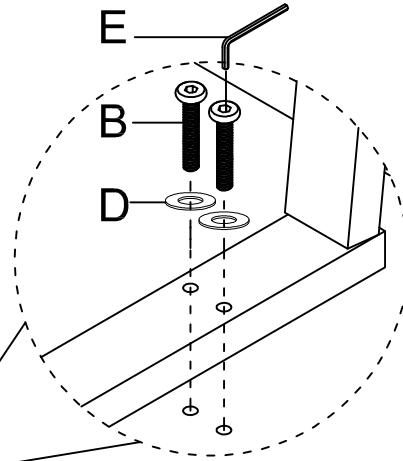
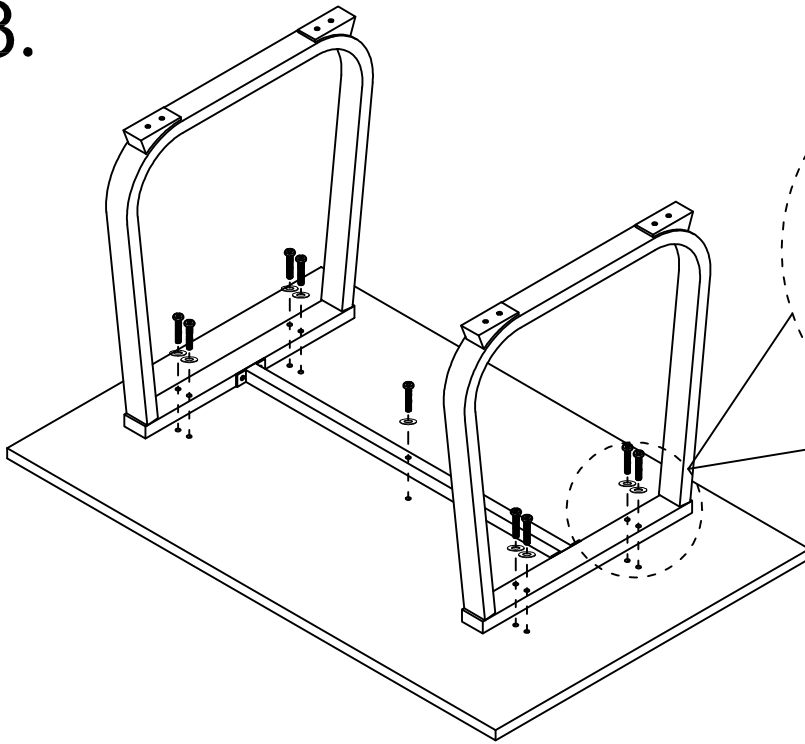
2.







C	M6*12 4X
E	4mm 1X
75%	

11.

3.



- B**  M6*40
9X
- D**  Ø18*Ø6*1.5
9X
- E**  4mm
1X
-  100%

4.

