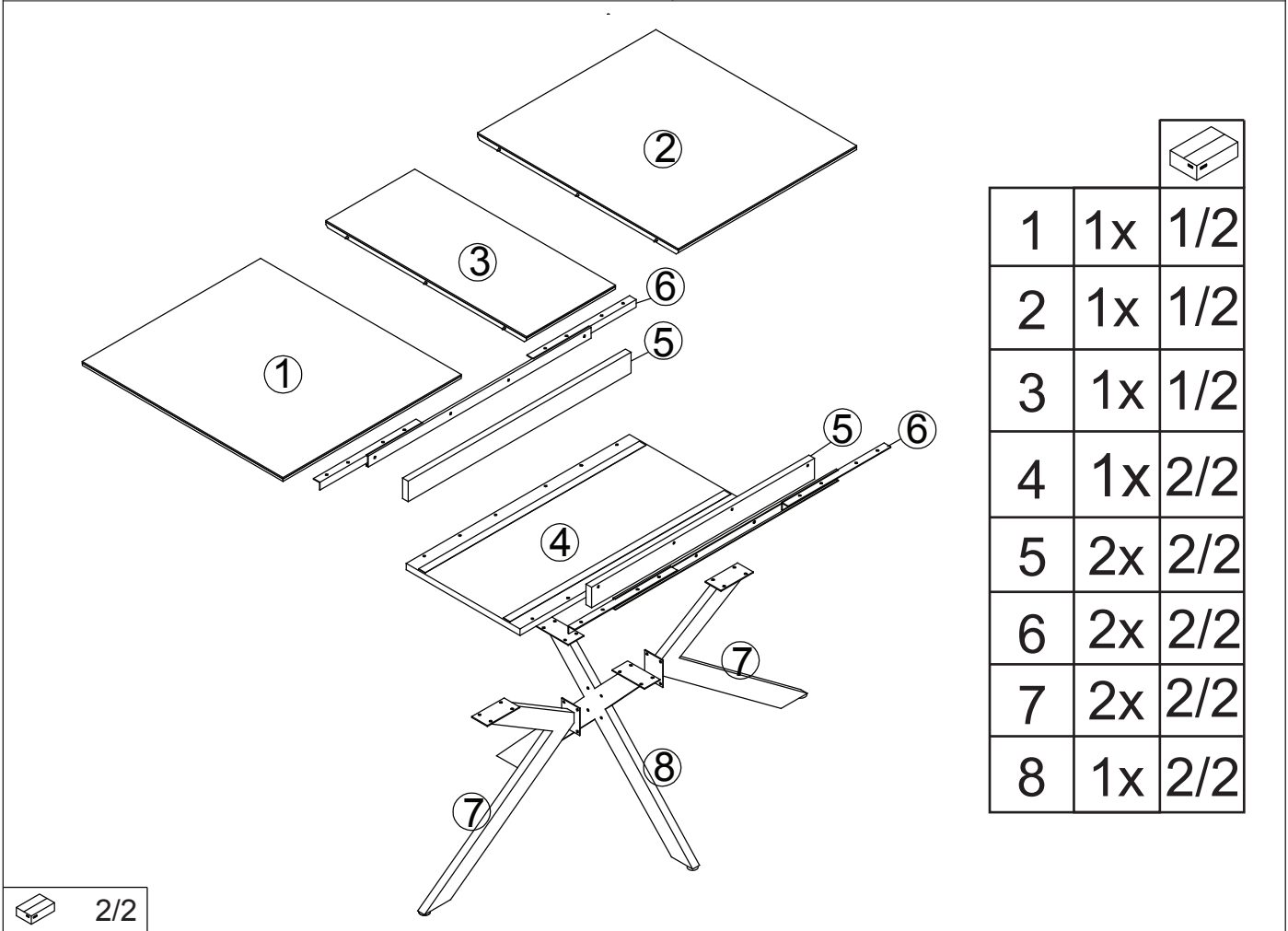
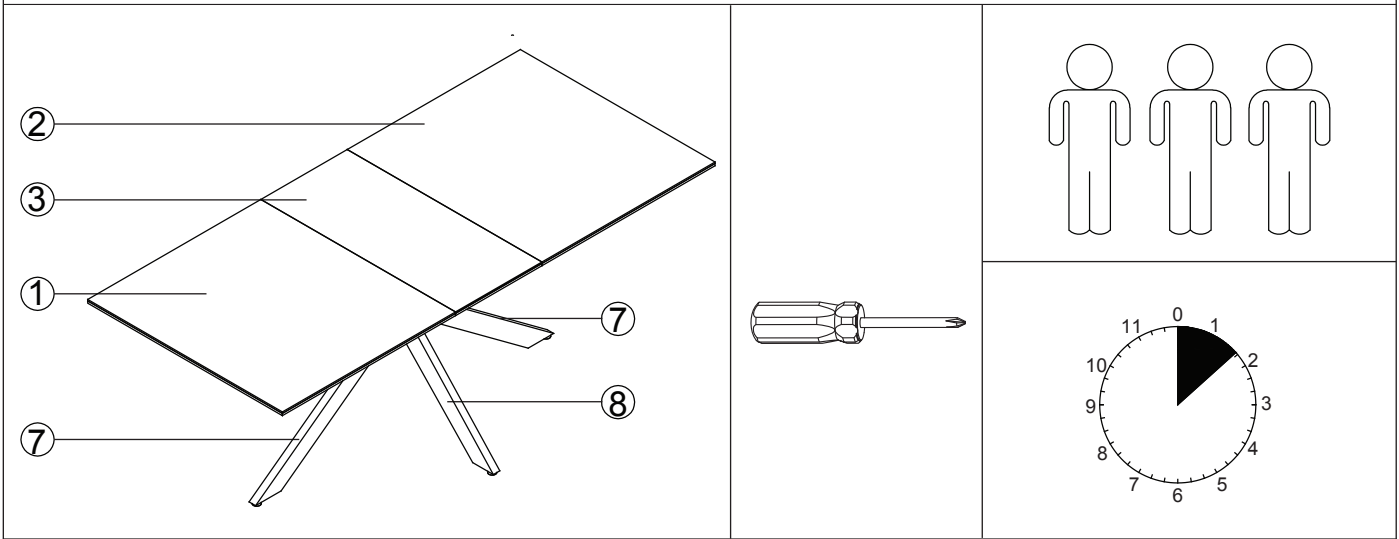
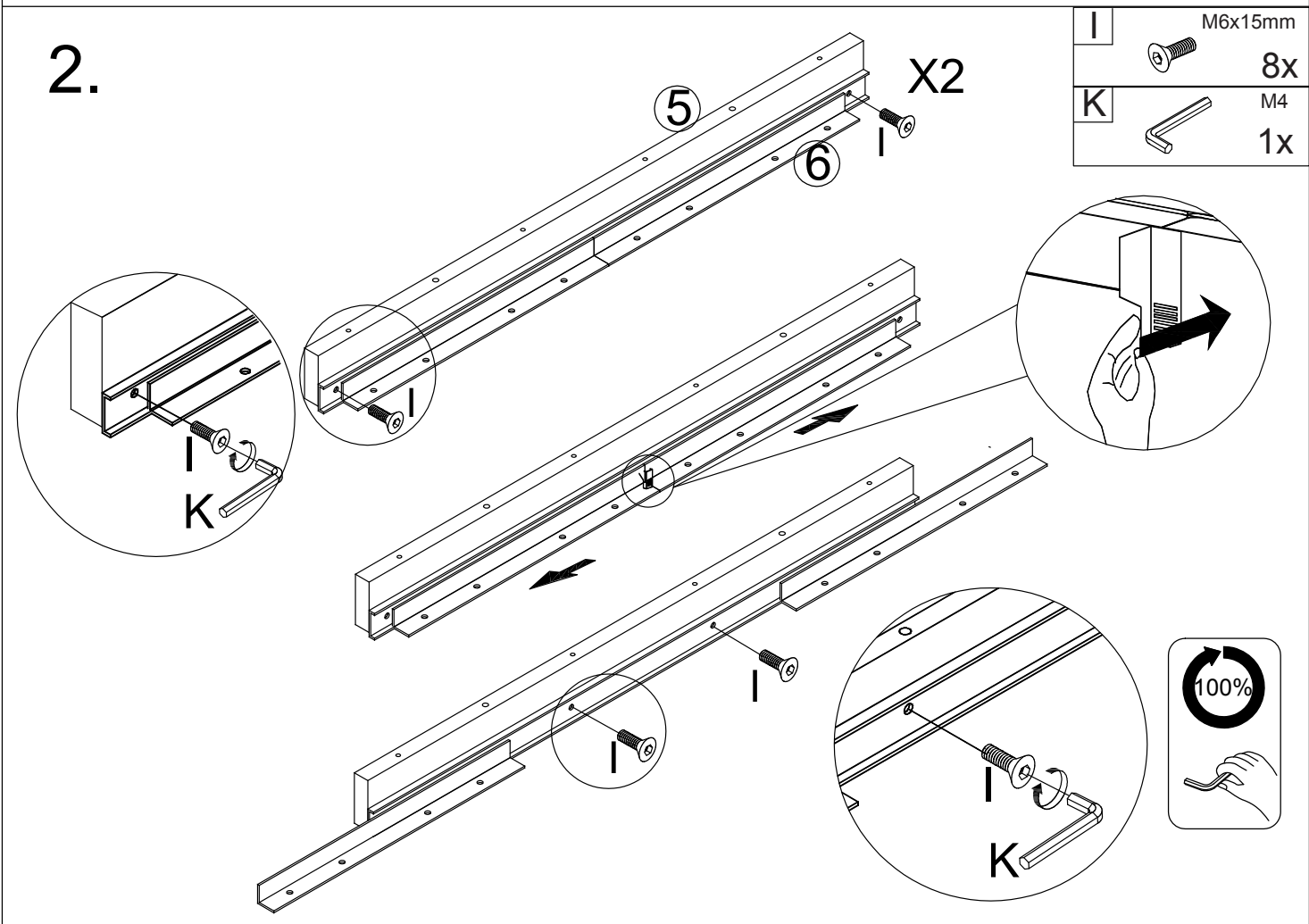
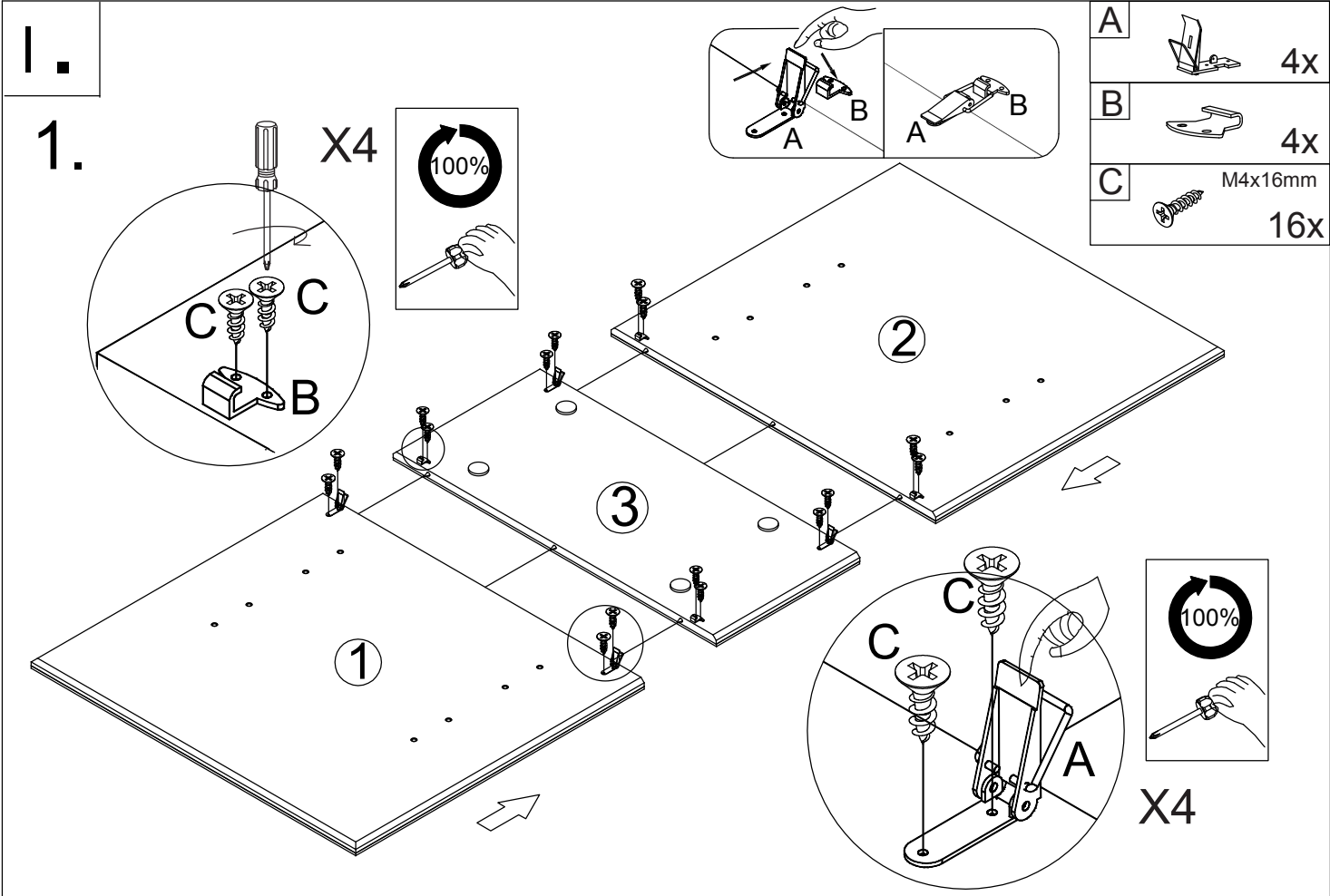


# Chiara



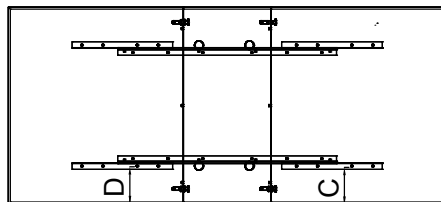
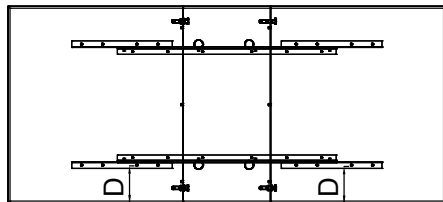
1	1x	1/2
2	1x	1/2
3	1x	1/2
4	1x	2/2
5	2x	2/2
6	2x	2/2
7	2x	2/2
8	1x	2/2

2/2									
<b>A</b> 4x	<b>B</b> 4x	<b>C</b> M4x16mm 16x	<b>D</b> M6x15mm 24x	<b>E</b> M6x20mm 16x	<b>F</b> ø16xø6x1.5mm 40x	<b>G</b> ø8x30mm 4x	<b>H</b> M7x68mm 8x	<b>I</b> M6x15mm 8x	
<b>J</b> ø22xø8.5x2mm 4x	<b>K</b> M4 1x	<b>L</b> 1x	<b>M</b> 4x						

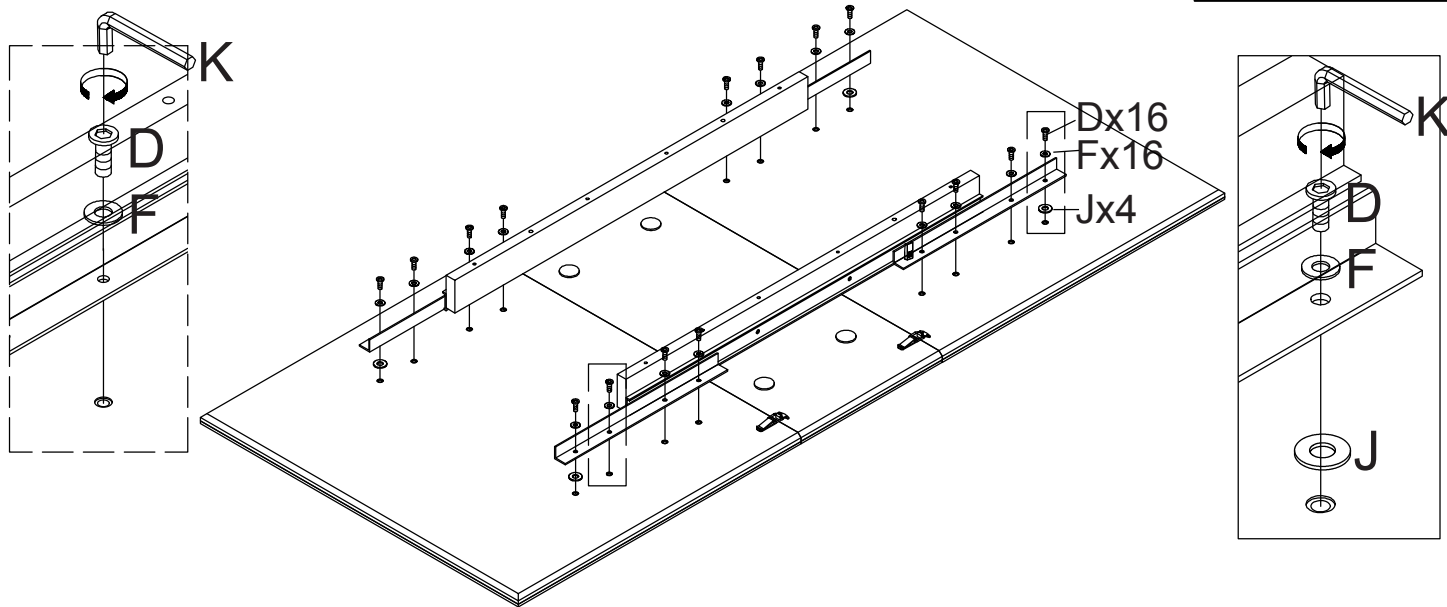


II.

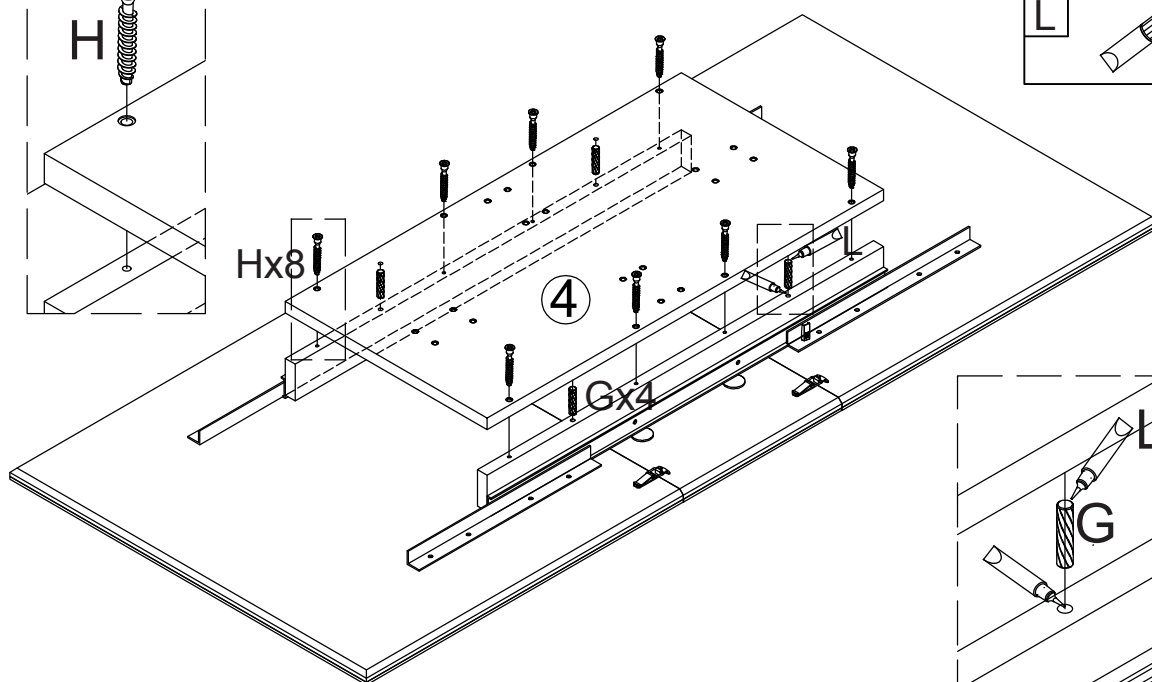
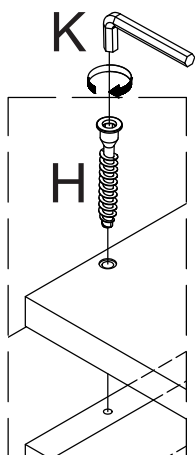
3.



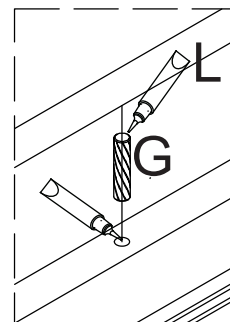
D	M6x15mm	16x
F	ø16xø6x1.5mm	16x
J	ø22xø8.5x2mm	4x
K	M4	1x



4.



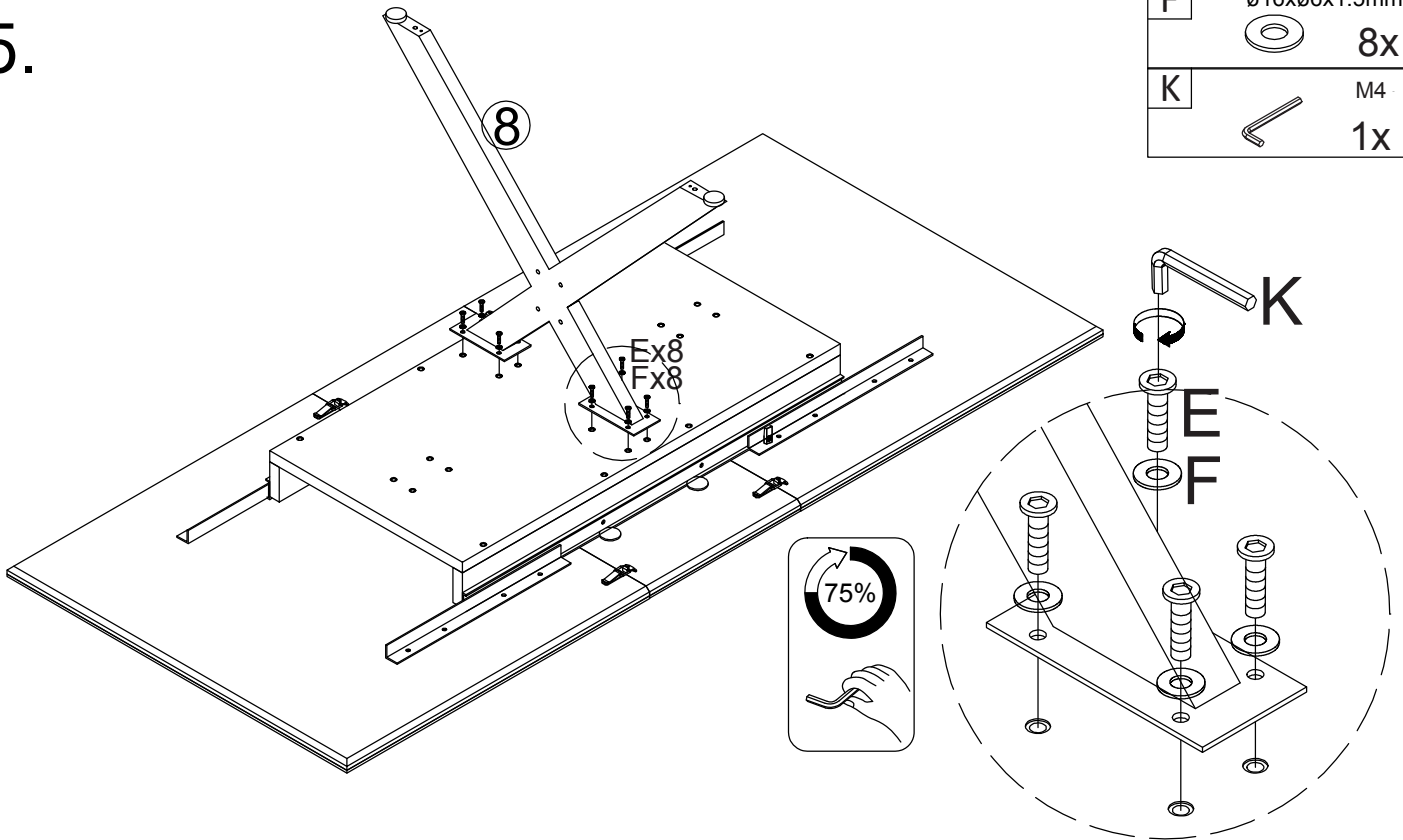
G	ø8x30mm	4x
H	M7x68mm	8x
K	M4	1x
L		1x



III.

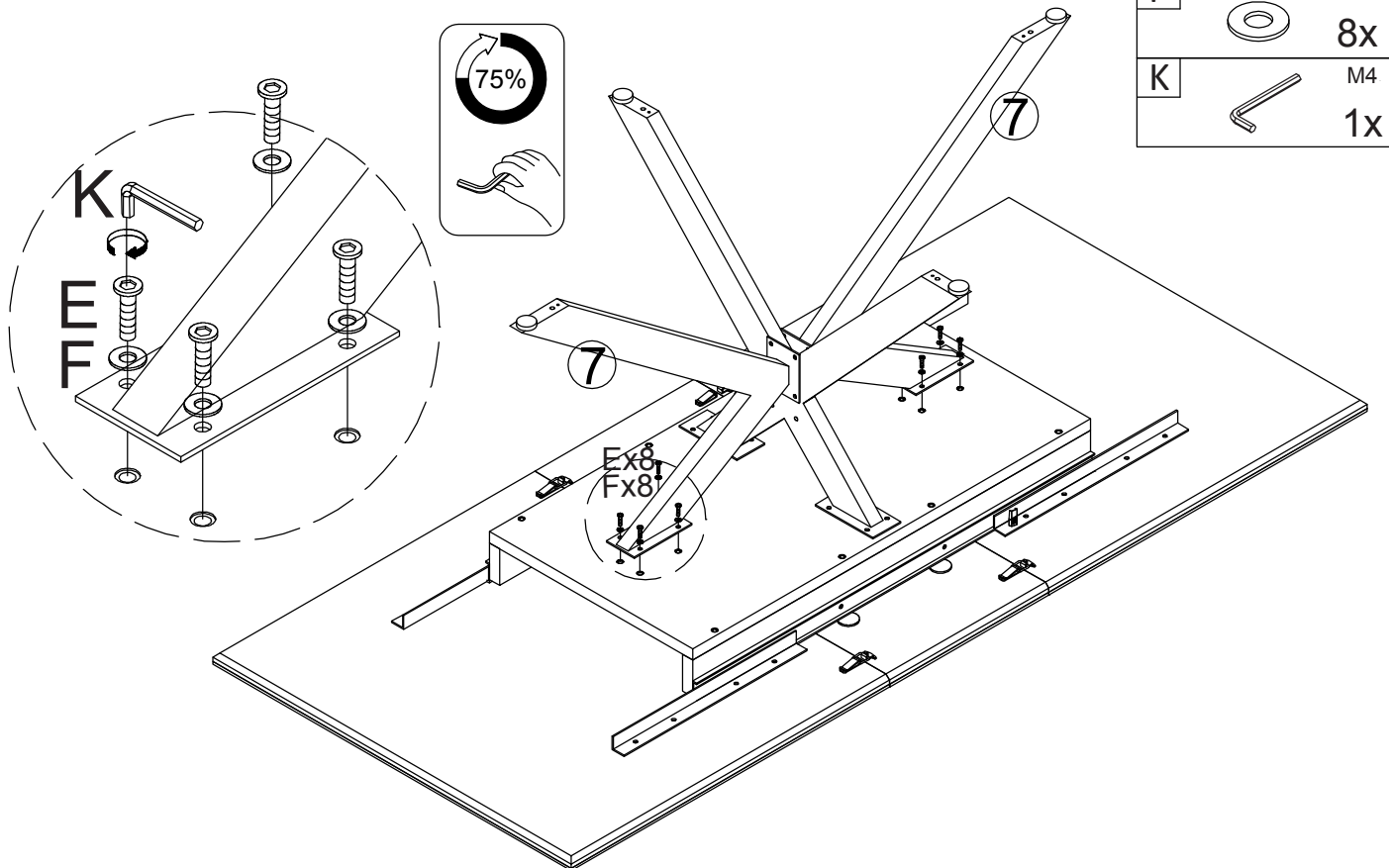
5.

E	M6x20mm	8x
F	ø16xø6x1.5mm	8x
K	M4	1x






6.

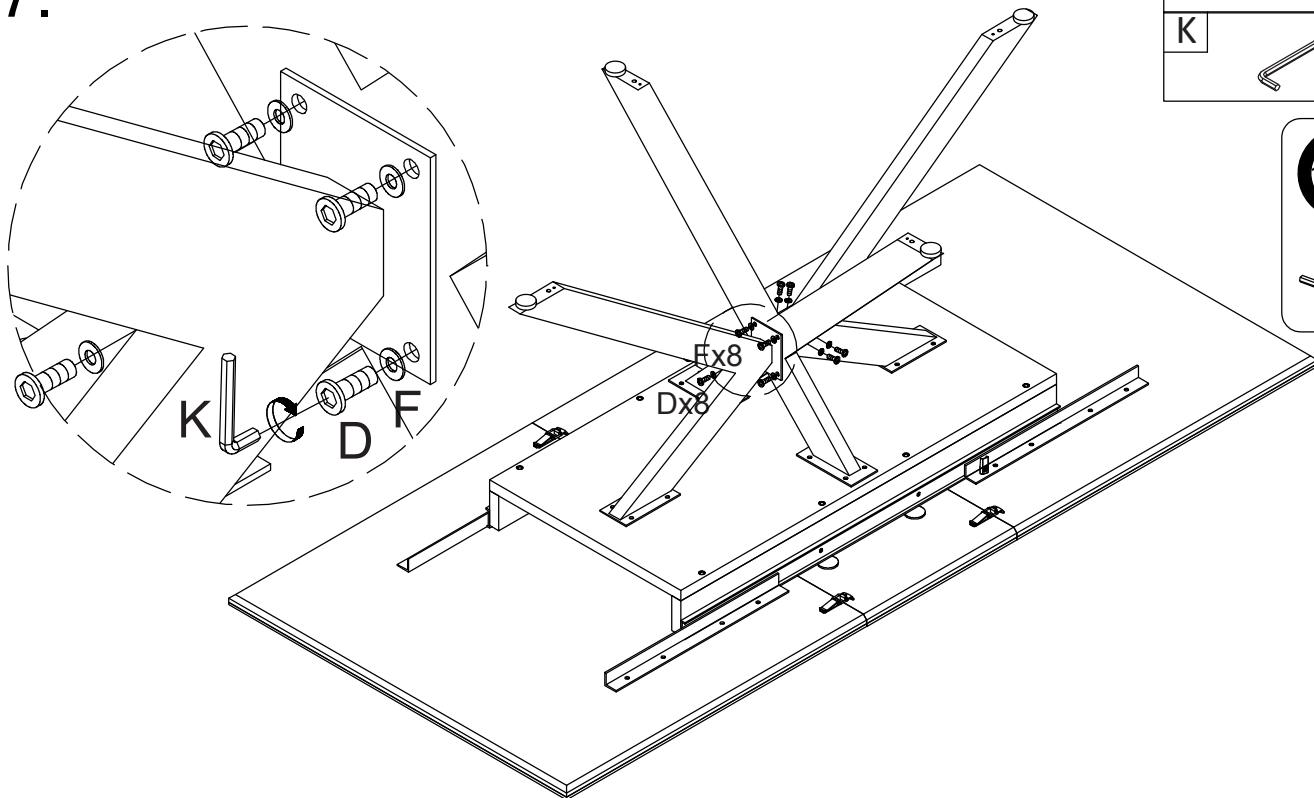
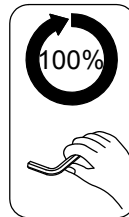
E	M6x20mm	8x
F	ø16xø6x1.5mm	8x
K	M4	1x



# IV.

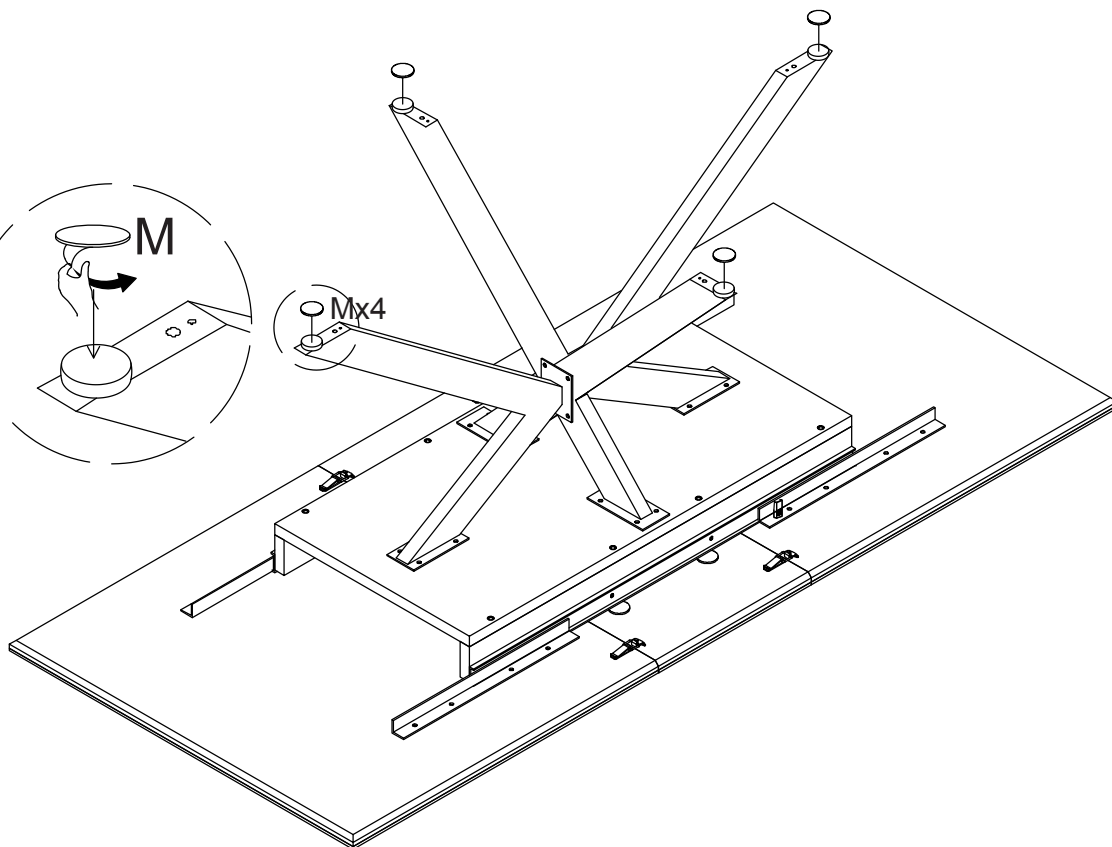
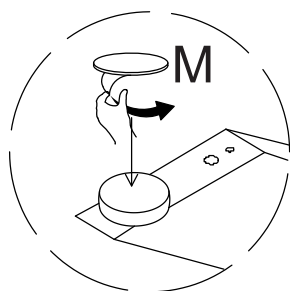
## 7.

D	M6x15mm		8x
F	ø16xø6x1.5mm		8x
K	M4		1x



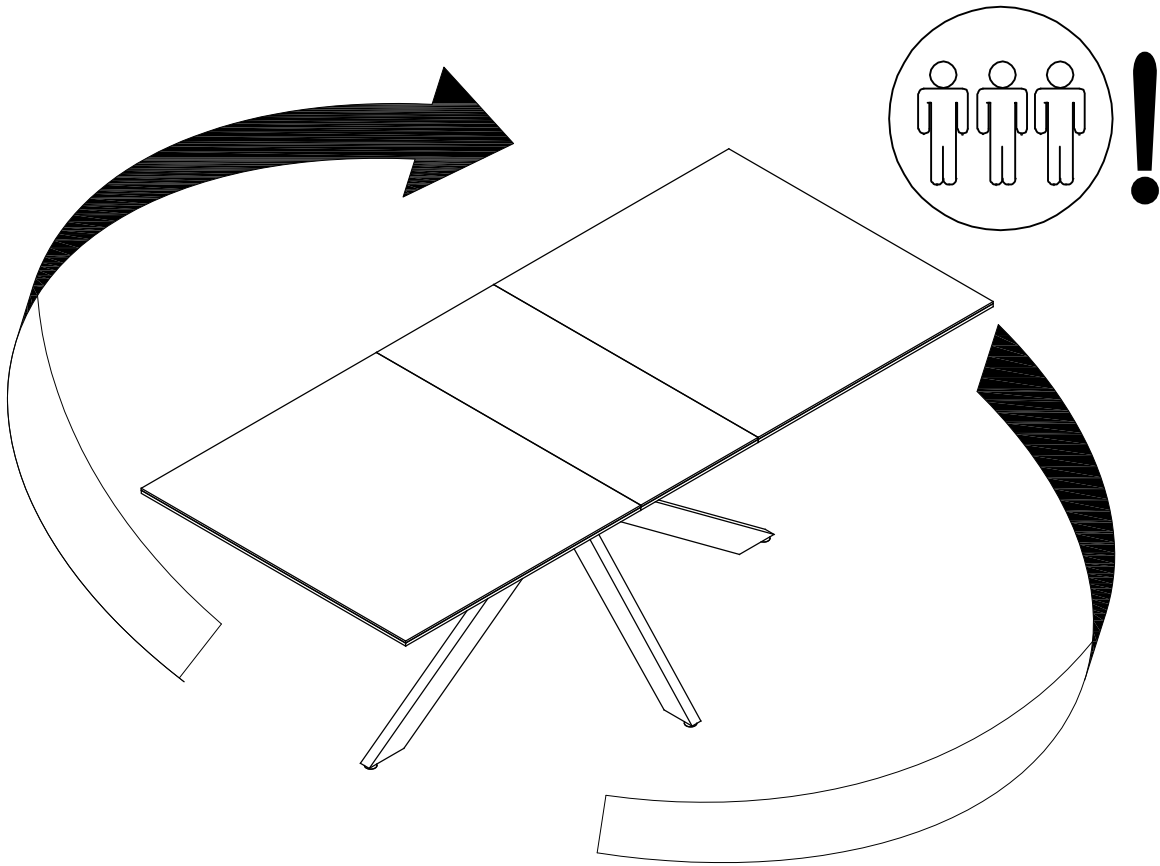
## 8.

M			4x
---	--	---	----

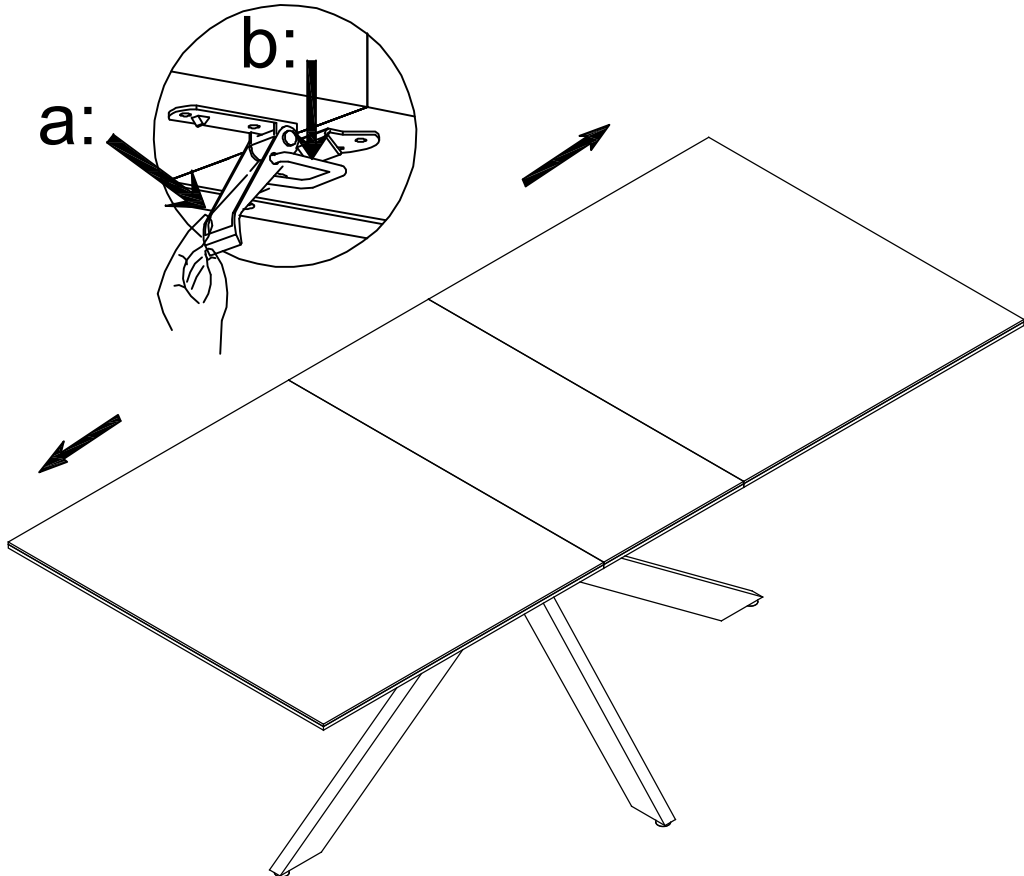


V.

9.

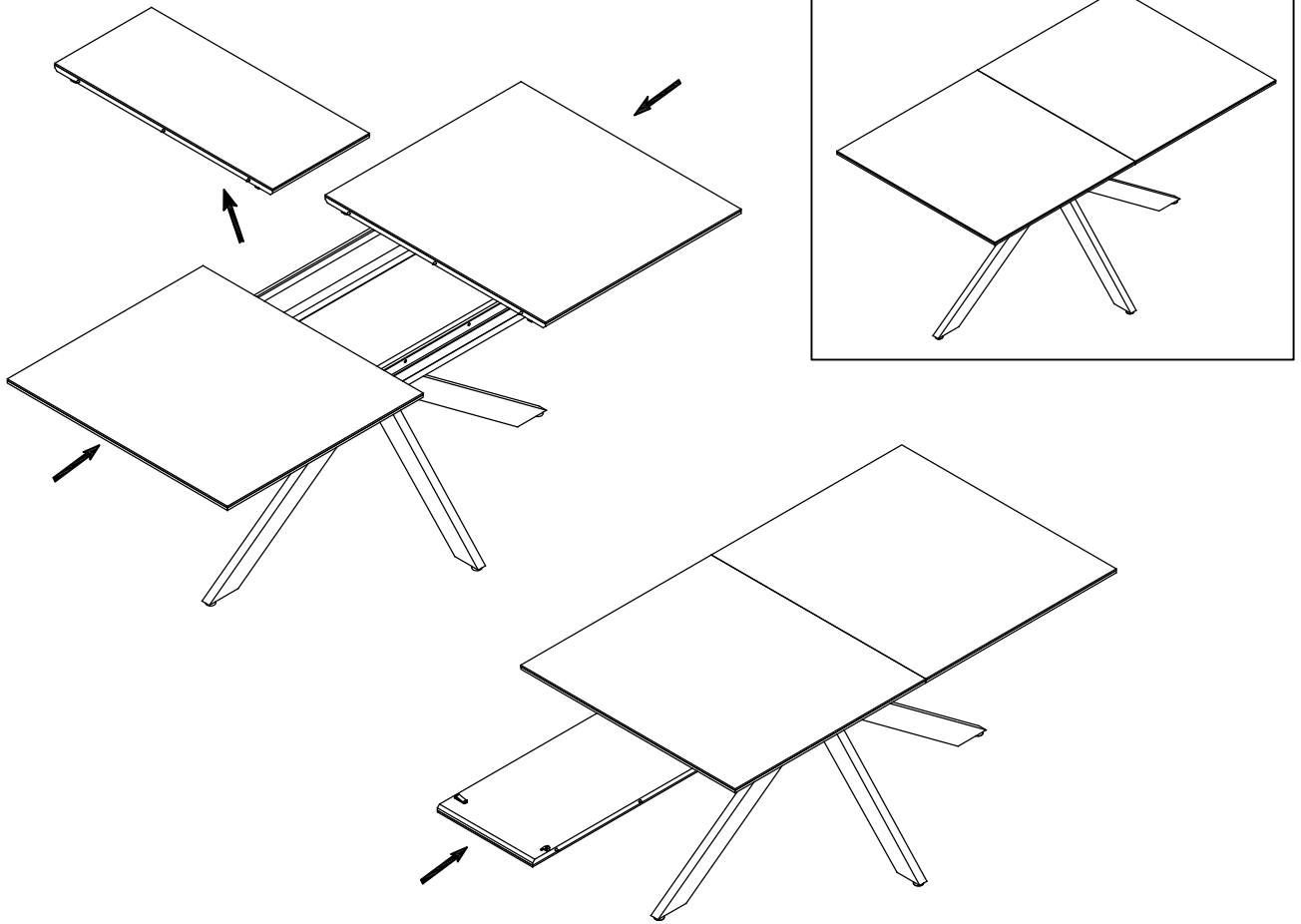


10.

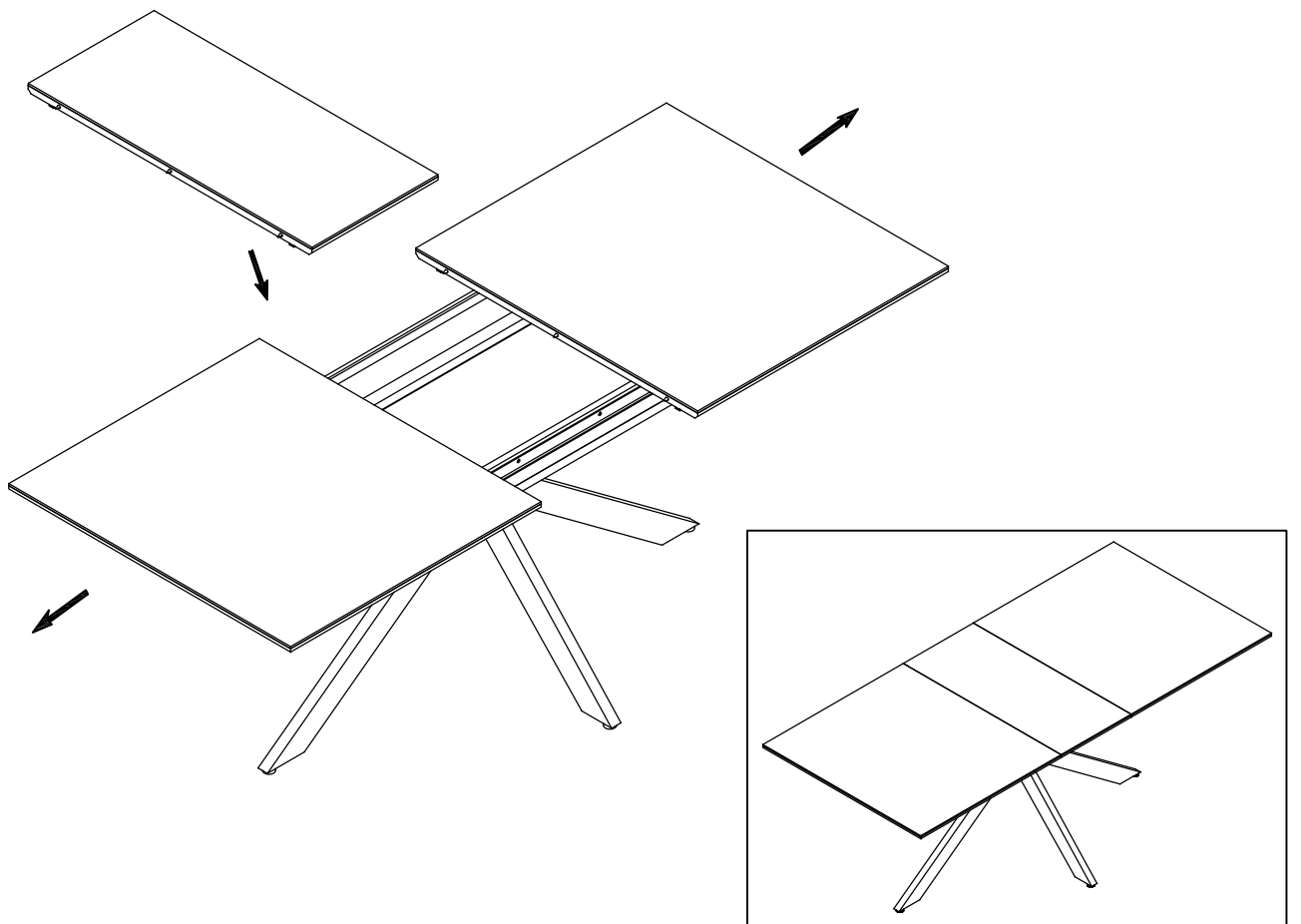


VI.

11.

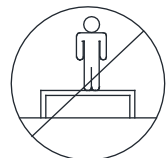
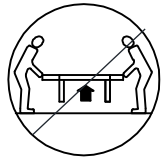
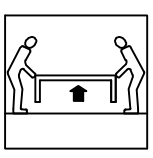
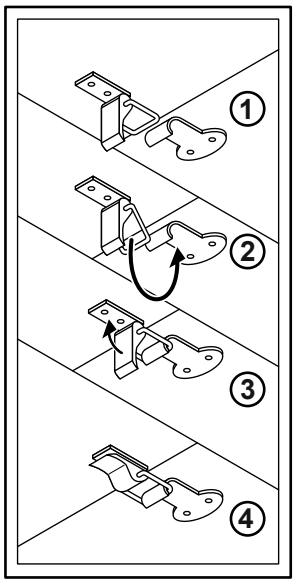
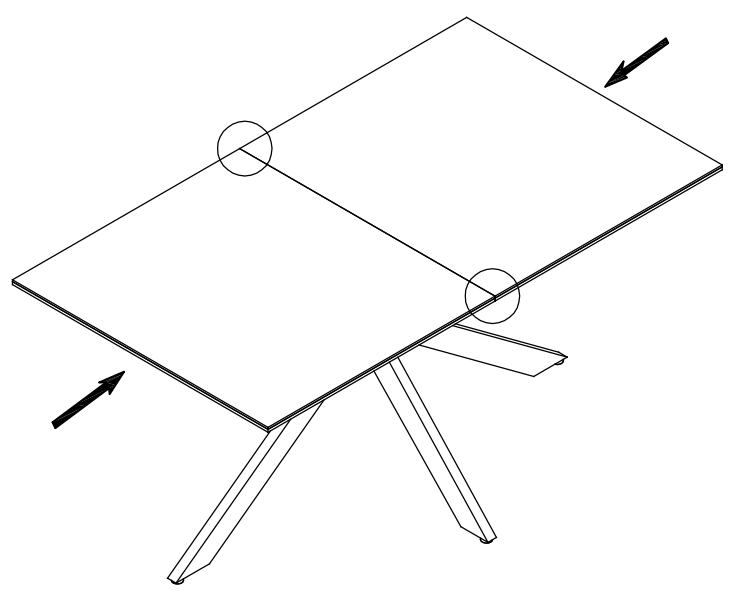
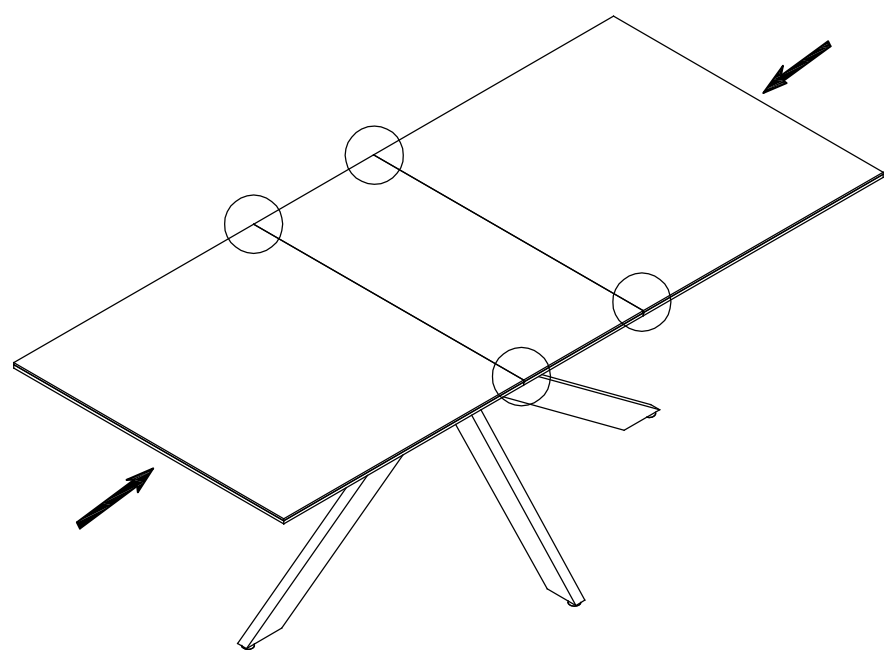


12.



# VII.

## 13.



*Séparez les éléments avant de trier*