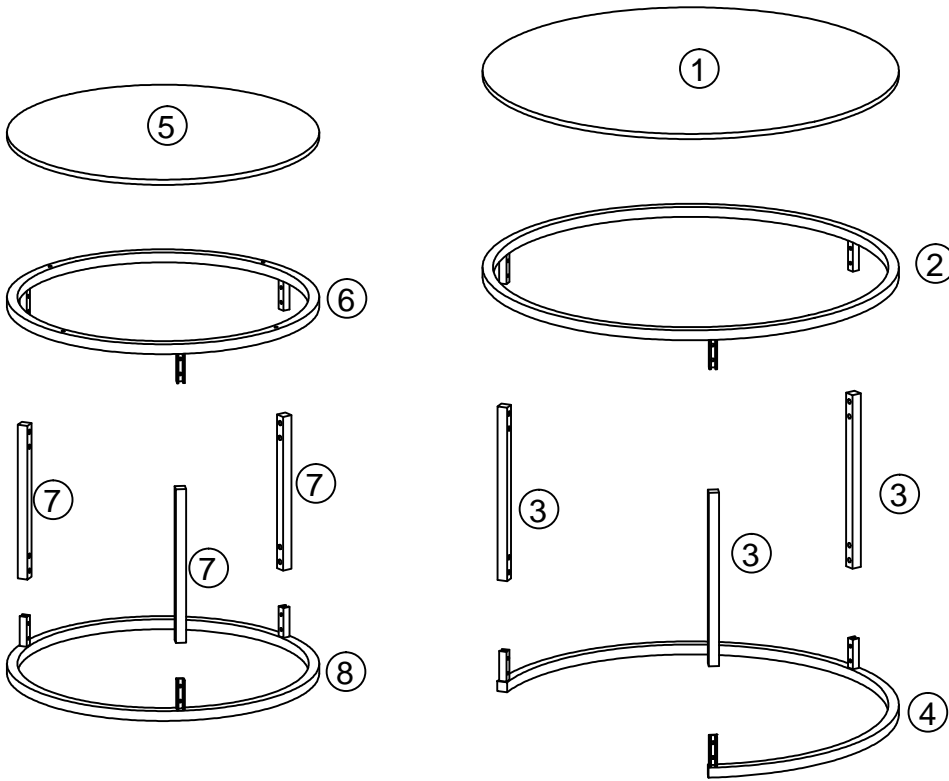
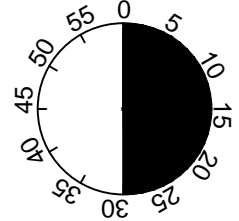
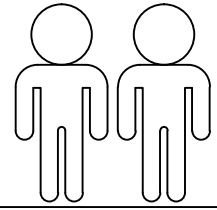
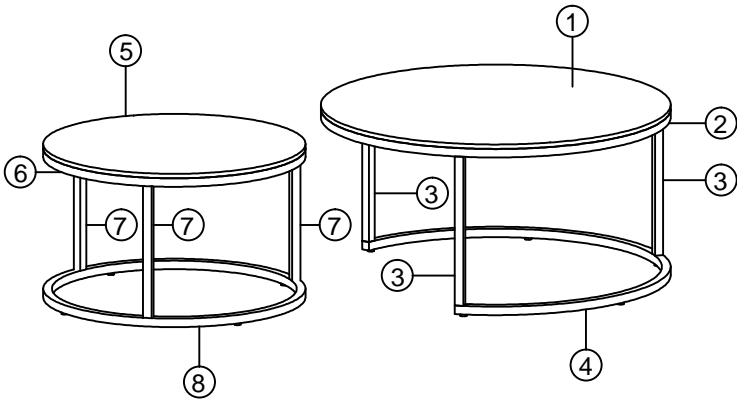
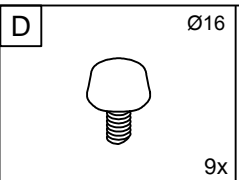
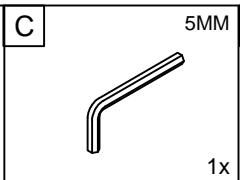
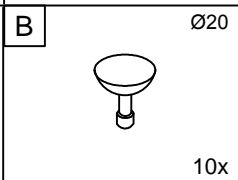
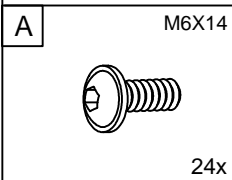
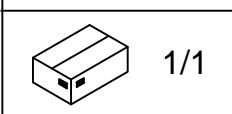


LUIS

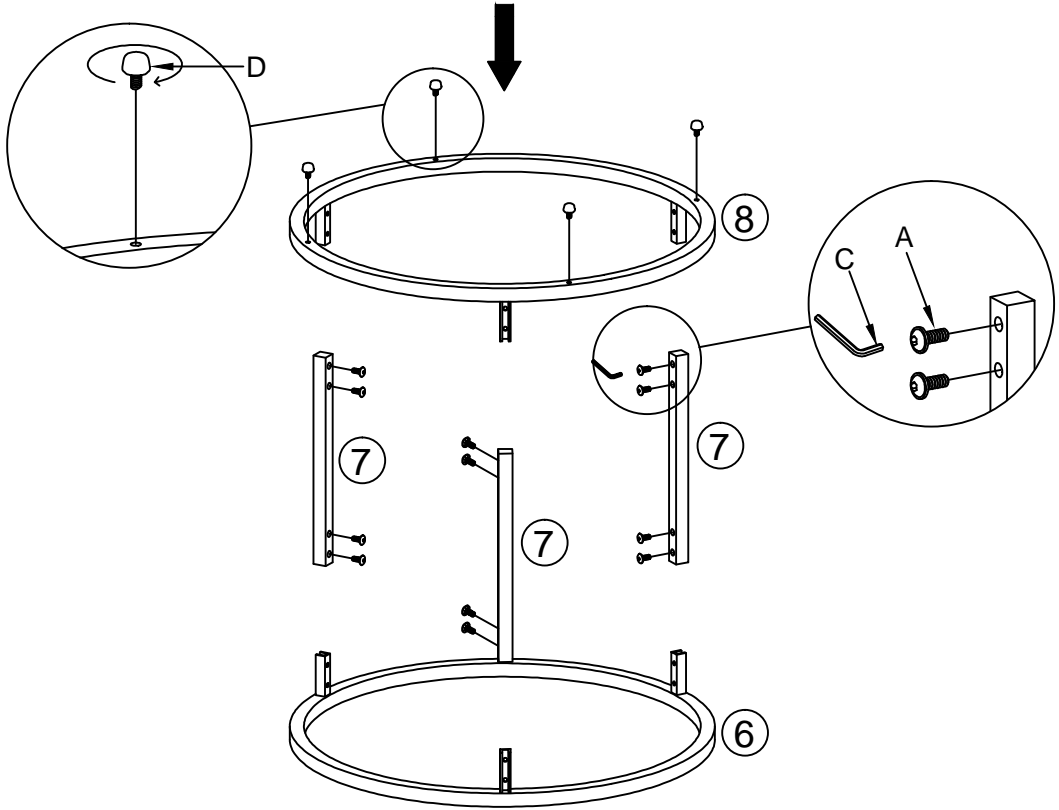


| | | |
|---|----|-----|
| | | |
| 1 | 1X | 1/1 |
| 2 | 1X | 1/1 |
| 3 | 3X | 1/1 |
| 4 | 1X | 1/1 |
| 5 | 1X | 1/1 |
| 6 | 1X | 1/1 |
| 7 | 3X | 1/1 |
| 8 | 1X | 1/1 |



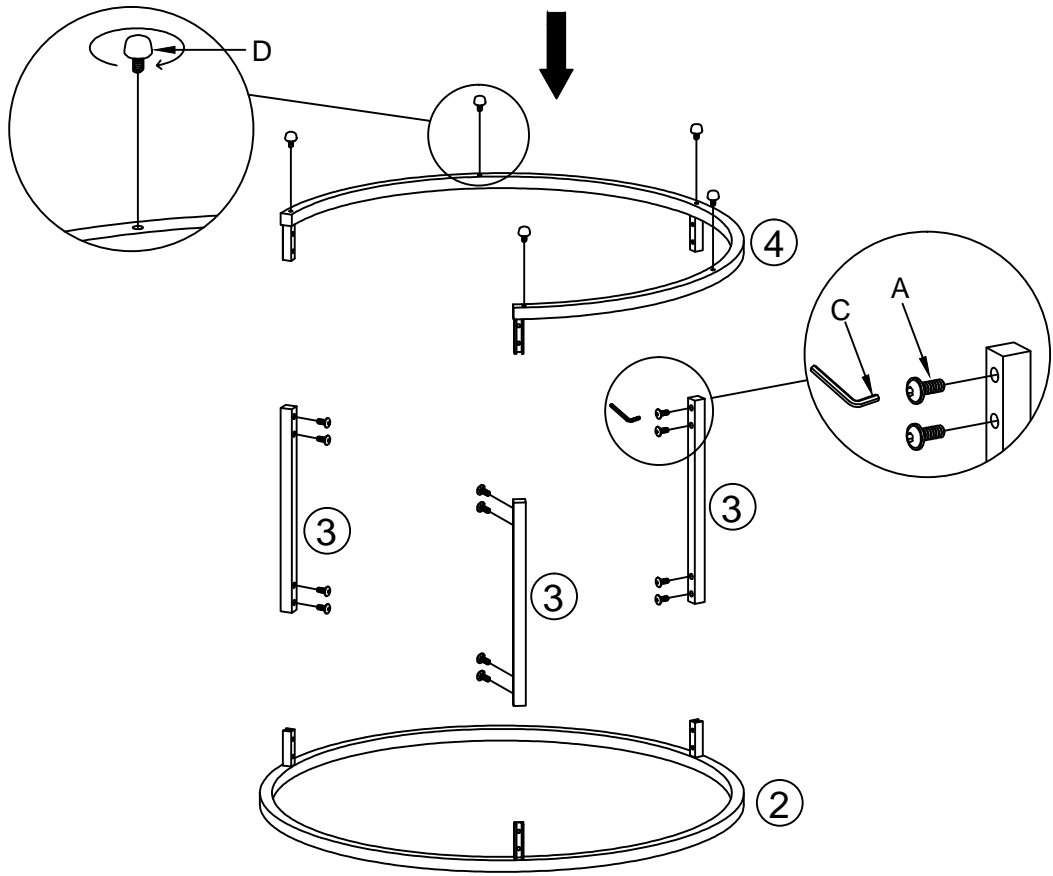
I.

1



| | |
|---|-------|
| A | M6x14 |
| | 12x |
| C | 5MM |
| | 1x |
| D | Ø16 |
| | 4x |
| | |

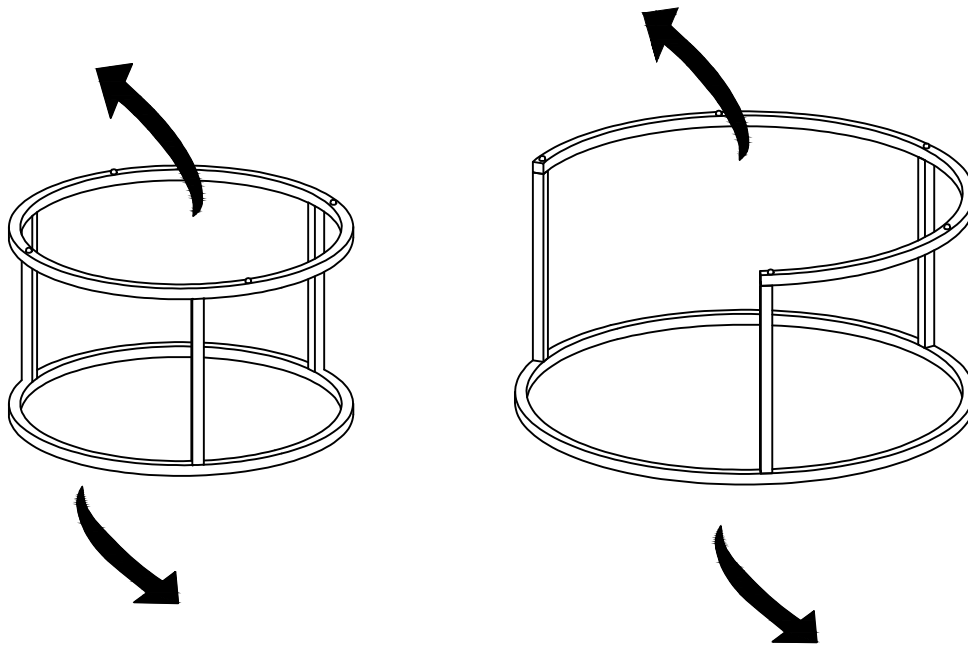
2



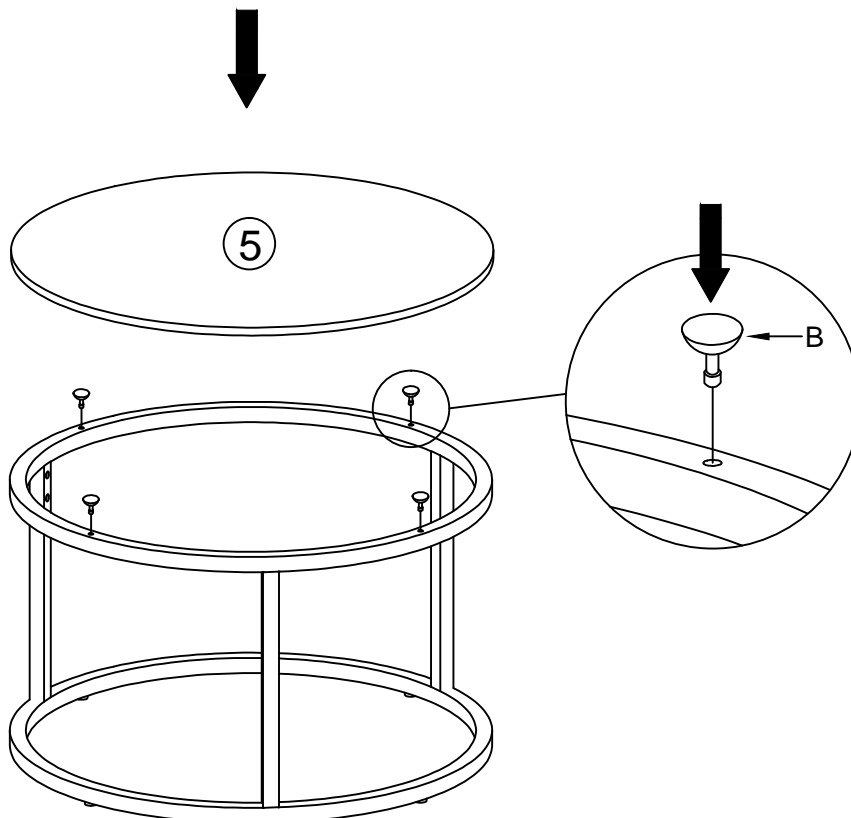
| | |
|---|-------|
| A | M6x14 |
| | 12x |
| C | 5MM |
| | 1x |
| D | Ø16 |
| | 5x |
| | |


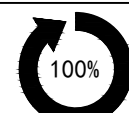
II.

3



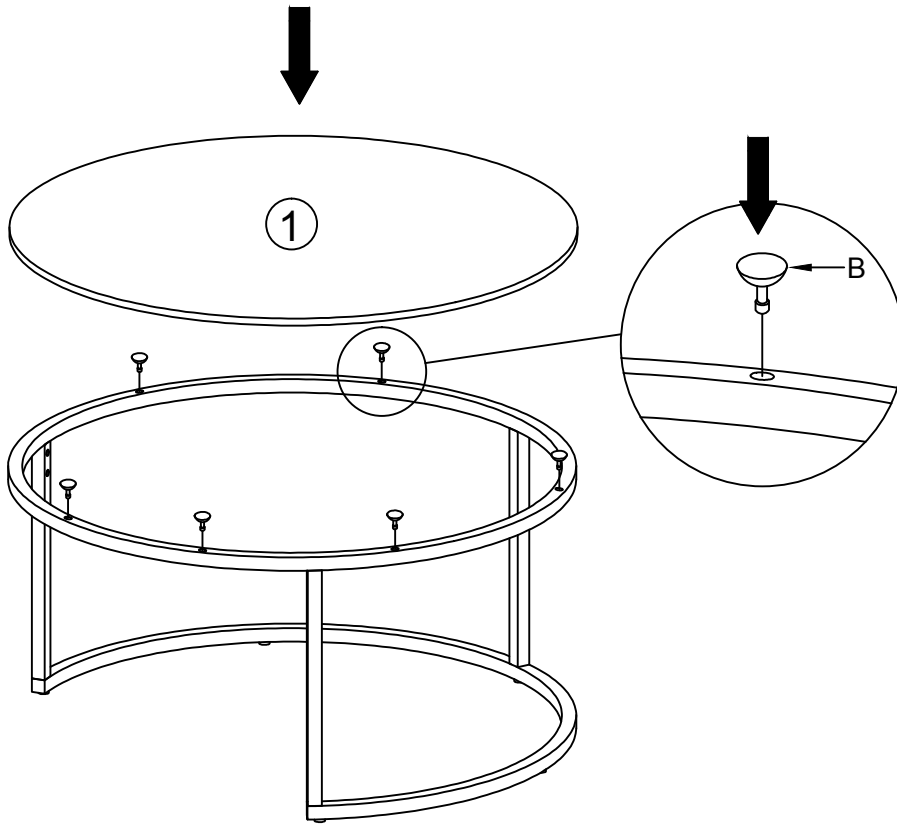
4



| | | |
|---|---|-----|
| B |  | Ø20 |
| | | 4x |
|  | | |



5



B

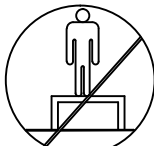
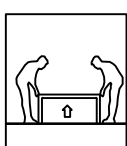
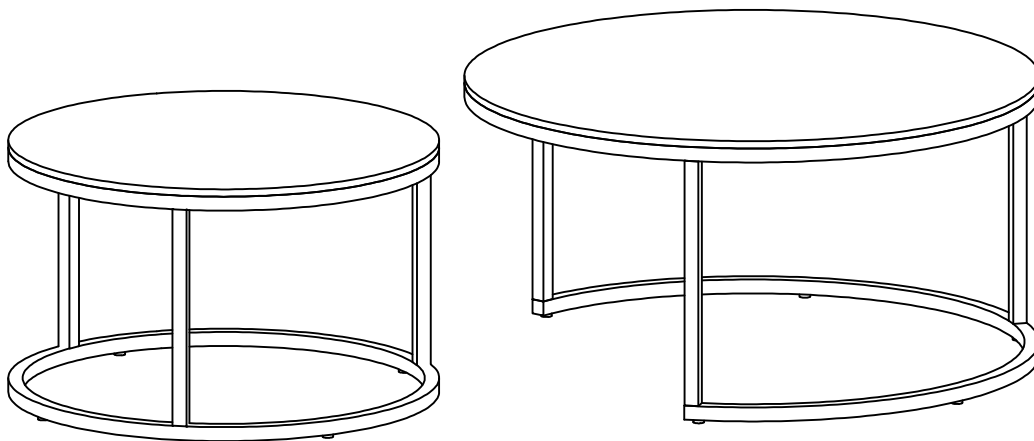
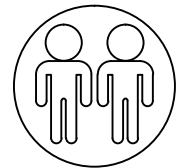


Ø20

6x



6



LE TRI
+ FACILE



Séparez les éléments avant de trier